





Email: ventas@sdpartsdelivery.com

Website: <http://www.sdpartsdelivery.com>



CNHTC HOWO 配件目录 1801

KD0001			KD0002		
	Part No.	AZ6100004301		Part No.	AZ6100004361
	CH part name	发动机		CH part name	发动机
	EN part name	Euro II Engine new model		EN part name	Euro III Engine
	RU part name	Двигатель Новый модель Евро 2		RU part name	Двигатель общий рельс Евро3
	Size:mm	1525*660*965		Size:mm	1525*660*965
	Weight:kg	875		Weight:kg	870
	NO.			NO.	
Remarks: HOWO HW69070101 WD615.69 E2			Remarks: HOWO WD615.95 欧 III 共轨		
KD0003			KD0004		
	Part No.	AZ6100004575/3		Part No.	D10.38-40
	CH part name	发动机		CH part name	发动机总成
	EN part name	EGR Engine		EN part name	Euro III Engine
	RU part name	EGR Двигатель		RU part name	Двигатель общий рельс Евро3
	Size:mm	1525*660*965		Size:mm	1525*660*965
	Weight:kg	875		Weight:kg	870
	NO.			NO.	
Remarks: HOWO WD615.96EGR			Remarks: HOWO D12		

Email: ventas@sdpartsdelivery.com

Email: ventas@sdpartsdelivery.com

Website: <http://www.sdpartsdelivery.com>

KD0005			KD0006		
	Part No.	61500010383		Part No.	AZ1246010049
	CH part name	欧 II 宽缸体		CH part name	共轨气缸体
	EN part name	Euro II narrow cylinder block		EN part name	Euro III common rail cylinder block
	RU part name	Блок цилиндров в сборе Евро2		RU part name	Блок цилиндров в сборе Евро3
	Size:mm	980*500*485		Size:mm	
	Weight:kg	320		Weight:kg	350
	NO.	NO.1-1		NO.	NO.1-1
Remarks: HOWO 61500010356B E2			Remarks: HOWO D12 E3		


KD0007			KD0008		
	Part No.	AZ1095010031		Part No.	VG1560010029
	CH part name	气缸体		CH part name	凸轮轴衬套
	EN part name	Euro II narrow cylinder block		EN part name	CAM bush
	RU part name	Блок цилиндров в сборе Евро2		RU part name	Втулка кулачкового вала
	Size:mm			Size:mm	
	Weight:kg	320		Weight:kg	0.55
	NO.	NO.1-1		NO.	NO.1-3-4
Remarks: HOWO D10 E2 EGR			Remarks: HOWO WD615 D10 E2-3 VG2600010990		

KD0009			KD0010		
	Part No.	90003989480		Part No.	90003984080
	CH part name	碗形塞		CH part name	碗形塞
	EN part name	Cup plug		EN part name	Cup plug

Email: ventas@sdpartsdelivery.com


Email: ventas@sdpartsdelivery.com

Website: <http://www.sdpartsdelivery.com>

	RU part name	Чашка с тарелкой
	Size:mm	17*8
	Weight:kg	
	NO.	NO.1-6

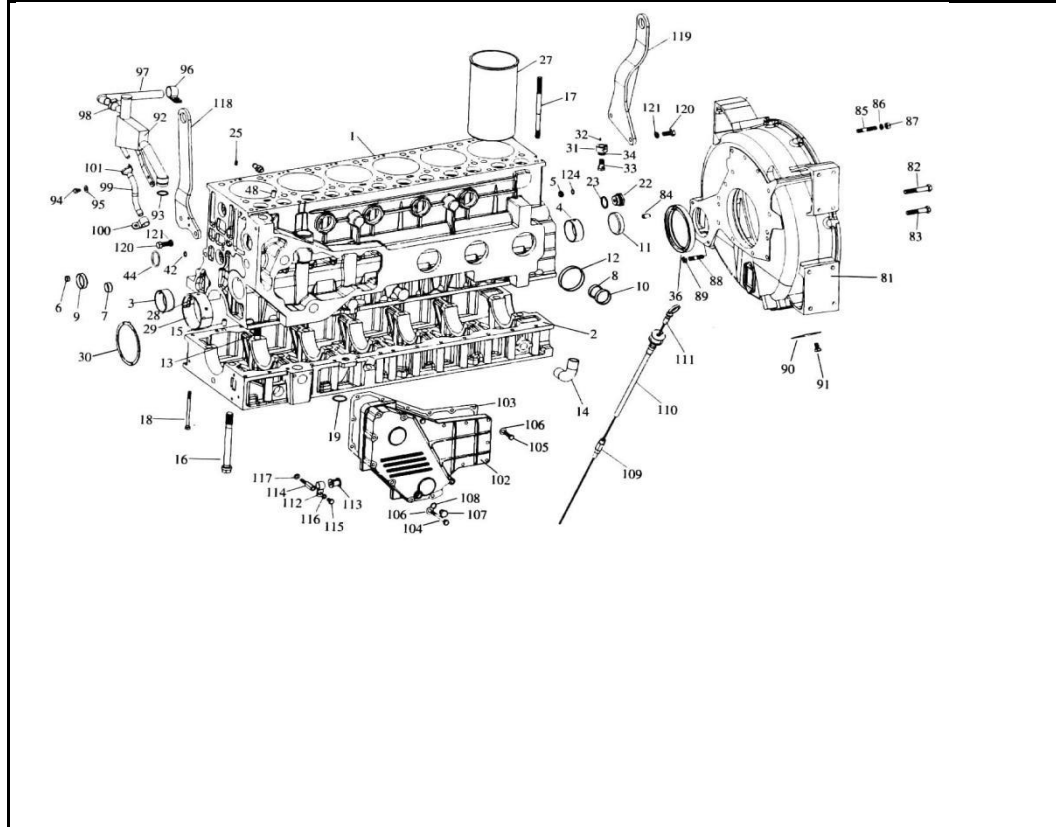
Remarks: HOWO WD615 D10 E2-3


Engine parts / WD615 D10	NO.1
--------------------------	-------------

	RU part name	Чашка с тарелкой
	Size:mm	17*7.3
	Weight:kg	
	NO.	NO.1-5

Remarks: HOWO WD615 D10 E2-3


KD0011		
--------	--	--



	Part No.	90003989204
	CH part name	碗形塞
	EN part name	Cup plug
	RU part name	Чашка с тарелкой
	Size:mm	28*12
	Weight:kg	
	NO.	NO.1-7

Remarks: HOWO WD615 D10 E2-3

KD0012		
--------	--	--

	Part No.	90003989289
	CH part name	碗形塞
	EN part name	Cup plug
	RU part name	Чашка с тарелкой
	Size:mm	40*12

Email: ventas@sdpartsdelivery.com

Email: ventas@sdpartsdelivery.com

Website: <http://www.sdpartsdelivery.com>

	Weight:kg	
	NO.	NO.1-8
Remarks: HOWO WD615 D10 E2-3		

KD0013			KD0014		
	Part No.	90003982121		Part No.	90003989215
	CH part name	碗形塞		CH part name	碗形塞
	EN part name	Cup plug		EN part name	Cup plug
	RU part name	Чашка с тарелкой		RU part name	Чашка с тарелкой
	Size:mm	45*12		Size:mm	45*12
	Weight:kg			Weight:kg	
	NO.	NO.1-9		NO.	NO.1-10

Remarks: HOWO WD615 D10 E2-3





Remarks: HOWO WD615 D10 E2-3

KD0015			KD0016		
	Part No.	90003989288		Part No.	VG1246070005
	CH part name	碗形塞		CH part name	机油冷却器盖
	EN part name	Cup plug		EN part name	Oil cooler cover
	RU part name	Чашка с тарелкой		RU part name	Крышка масляного охладителя
	Size:mm	65*14		Size:mm	450*300*120
	Weight:kg			Weight:kg	3.8
	NO.	NO.1-11		Price:usd	NO.1-112

Email: ventas@sdpartsdelivery.com

Email: ventas@sdpartsdelivery.com

Website: <http://www.sdpartsdelivery.com>

Remarks: HOWO WD615 D10 E2-3			Remarks: HOWO D12 E2-3		
KD0017			KD0018		
	Part No.	VG1540010006		Part No.	VG1540010021/22
	CH part name	气缸套		CH part name	曲轴瓦
	EN part name	Euro III cylinder liner		EN part name	Euro III main bearing
	RU part name	Гильза Евро3		RU part name	Вкладыши коренные Евро3
	Size:mm	241*126		Size:mm	280*112*35
	Weight:kg	1.45		Weight:kg	1.7
	NO.	NO.1-27		NO.	NO.1-28-29
Remarks: HOWO WD615 D10 E2-3 VG1540010006			Remarks: HOWO WD615 D10 E2-3		
KD0019			KD0020		
	Part No.	VG1500010125		Part No.	VG1560010090
	CH part name	曲轴止推片(付)		CH part name	机油喷嘴组件
	EN part name	Stop washer		EN part name	The oil nozzle
	RU part name	Стопорная шайба		RU part name	Масляный форсунка
	Size:mm	128*68*2 (+0.25/0.5/0.75)		Size:mm	32*28*50
	Weight:kg	0.047		Weight:kg	0.15
	NO.	NO.1-7-8		NO.	NO.1-31
Remarks: HOWO WD615 D10 E2-3 81500010125			Remarks: HOWO WD615.92-93-97E D10		
KD0021			KD0022		

Email: ventas@sdpartsdelivery.com

Email: ventas@sdpartsdelivery.com





Website: <http://www.sdpartsdelivery.com>



	Part No.	VG2600010659		Part No.	VG1047010038
	CH part name	机油喷嘴组件		CH part name	前油封
	EN part name	The oil nozzle		EN part name	Before the oil seal
	RU part name	Масляный форсунка		RU part name	Передний сальник
	Size:mm	15*11*1.6		Size:mm	60*80*10
	Weight:kg	0.12		Weight:kg	0.11
	NO.	NO.1-31		NO.	NO.1-35
Remarks: HOWO WD615.95-96E D10			Remarks: HOWO WD615 D10 E2-3		
KD0023			KD0024		
	Part No.	VG1500010185		Part No.	VG1047010050
	CH part name	气缸盖螺栓		CH part name	后油封
	EN part name	bolt		EN part name	After the oil seal
	RU part name	болт		RU part name	Задний сальник
	Size:mm	195*20*20		Size:mm	115*140*12
	Weight:kg	0.25		Weight:kg	0.23
	NO.	NO.1-37		NO.	NO.1-36
Remarks: HOWO WD615 D10 E2-3			Remarks: HOWO WD615 D10 E2-3 D12		
KD0025			KD0026		
	Part No.	AZ1557010012		Part No.	VG1500010062
	CH part name	飞轮壳		CH part name	飞轮壳螺栓
	EN part name	The flywheel shell		EN part name	bolt

Email: ventas@sdpartsdelivery.com

Email: ventas@sdpartsdelivery.com

Website: <http://www.sdpartsdelivery.com>


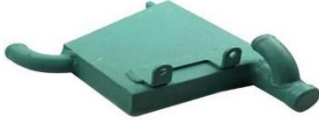

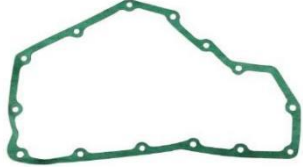
	RU part name	Летающая оболочка		RU part name	болт
	Size:mm			Size:mm	
	Weight:kg	20		Weight:kg	0.15
	NO.	NO.1-81		NO.	NO.1-82
Remarks: HOWO WD615 D10 E2-3 614010070 E2			Remarks: HOWO WD615 D10 E2-3		
KD0027			KD0028		
	Part No.	AZ1246010019		Part No.	VG1500010101
	CH part name	飞轮壳		CH part name	飞轮壳螺栓
	EN part name	The flywheel shell		EN part name	bolt
	RU part name	Летающая оболочка		RU part name	болт
	Size:mm			Size:mm	
	Weight:kg	21		Weight:kg	0.15
	NO.	NO.1-81		NO.	NO.1-83
Remarks: HOWO D12.38.42			Remarks: HOWO WD615 D10 E2-3		

KD0029			KD0030		
	Part No.	VG14010083B		Part No.	VG1557010015B
	CH part name	机油冷却器盖		CH part name	油气分离器
	EN part name	Oil cooler cover		EN part name	oil-gas separator
	RU part name	Крышка масляного охладителя		RU part name	Масляный сепаратор
	Size:mm	880*210*70		Size:mm	

Email: ventas@sdpartsdelivery.com

Email: ventas@sdpartsdelivery.com



Website: <http://www.sdpartsdelivery.com>

	Weight:kg	3.1		Weight:kg	1
	Price:usd	NO.1-102		NO.	NO.1-92
Remarks: HOWO WD615 E2			Remarks: HOWO WD615 D10 E2-3		
KD0031			KD0032		
	Part No.	VG1500010344		Part No.	VG1246010086
	CH part name	气缸套		CH part name	油气分离器
	EN part name	Cylinder liner		EN part name	oil-gas separator
	RU part name	Гильза		RU part name	Масляный сепаратор
	Size:mm	241*126		Size:mm	120*120*300
	Weight:kg	1.42		Weight:kg	1.1
	Price:usd	NO.1-1		Price:usd	NO.1-92
Remarks:HOWO			Remarks: HOWO D12.38.42		
KD0033			KD0034		
	Part No.	VG1540010014		Part No.	VG1540010015A
	CH part name	机油冷却器盖		CH part name	机油冷却器盖垫
	EN part name	Oil cooler cover		EN part name	Oil cooler cover
	RU part name	Крышка масляного охладителя		RU part name	Прокладка масляного холодильника
	Size:mm	400*320*60		Size:mm	
	Weight:kg	1.7		Weight:kg	0.01
	Price:usd	NO.1-102		NO.	NO.1-103
Remarks: HOWO WD615 D10 E2-3			Remarks: HOWO WD615 D10 E2-3		

Email: ventas@sdpartsdelivery.com

Email: ventas@sdpartsdelivery.com

Website: <http://www.sdpartsdelivery.com>

KD0035				KD0036			
	Part No.	VG1095060006			Part No.	VG1500010600	
	CH part name	发动机左支架			CH part name	机油尺	
	EN part name	Front bracket engine (left)			EN part name	Oil foot	
	RU part name	Левая стойка			RU part name	Машинная линейка	
	Size:mm				Size:mm		
	Weight:kg	3.521			Weight:kg		
	NO.	NO.2-122			NO.	NO.1-111	
Remarks: HOWO WD615 D10 E2-3 VG1095060116				Remarks: HOWO WD615 D10 E2-3			

KD0037				KD0038			
	Part No.	VG1095060009			Part No.	VG1246010023	
	CH part name	发动机右支架			CH part name	右前支架	
	EN part name	Front bracket engine (right)			EN part name	Front left bracket	
	RU part name	Правая стойка			RU part name	Опора левая передняя	
	Size:mm				Size:mm	240*180*120	
	Weight:kg				Weight:kg	3.5	
	NO.	NO.2-123			Price:usd	NO.2-124	

Remarks: HOWO WD615 D10 E2 -3 VG1095060119

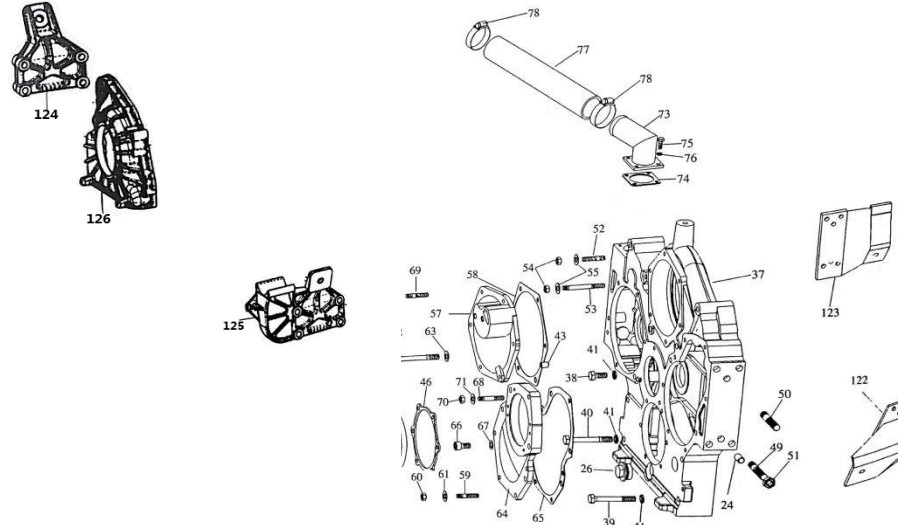

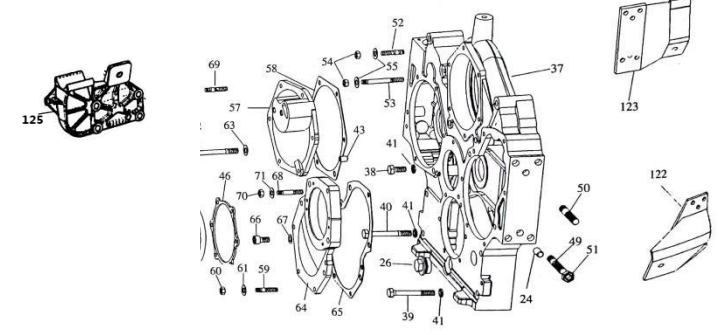



Remarks: HOWO D12

Engine parts / WD615 10		NO.2		KD0039			
					Part No.	VG1246010022	
					CH part name	左前支架	
					EN part name	Front left bracket	
					RU part name	Опора левая передняя	

Email: ventas@sdpartsdelivery.com

Email: ventas@sdpartsdelivery.com

Website: <http://www.sdpartsdelivery.com>

		<table border="1"> <tr> <td>Size:mm</td> <td>280*230*140</td> </tr> <tr> <td>Weight:kg</td> <td>4.5</td> </tr> <tr> <td>Price:usd</td> <td>NO.2-125</td> </tr> </table>	Size:mm	280*230*140	Weight:kg	4.5	Price:usd	NO.2-125																							
Size:mm	280*230*140																														
Weight:kg	4.5																														
Price:usd	NO.2-125																														
Remarks:HOWO D12																															
		<table border="1"> <tr> <td>Part No.</td> <td>VG1246010001</td> </tr> <tr> <td>CH part name</td> <td>前壳盖</td> </tr> <tr> <td>EN part name</td> <td>Before the shell cover</td> </tr> <tr> <td>RU part name</td> <td>Передний крышка</td> </tr> <tr> <td>Size:mm</td> <td></td> </tr> <tr> <td>Weight:kg</td> <td>0.65</td> </tr> <tr> <td>Price:usd</td> <td>NO.2-126</td> </tr> </table>	Part No.	VG1246010001	CH part name	前壳盖	EN part name	Before the shell cover	RU part name	Передний крышка	Size:mm		Weight:kg	0.65	Price:usd	NO.2-126															
Part No.	VG1246010001																														
CH part name	前壳盖																														
EN part name	Before the shell cover																														
RU part name	Передний крышка																														
Size:mm																															
Weight:kg	0.65																														
Price:usd	NO.2-126																														
Remarks: HOWO D12.38.42																															
KD0041		KD0042																													
	<table border="1"> <tr> <td>Part No.</td> <td>61557010008</td> </tr> <tr> <td>CH part name</td> <td>正时齿轮室</td> </tr> <tr> <td>EN part name</td> <td>Timing gearbox</td> </tr> <tr> <td>RU part name</td> <td>Крышка лобовины</td> </tr> <tr> <td>Size:mm</td> <td>515*503*85</td> </tr> <tr> <td>Weight:kg</td> <td>21.15</td> </tr> <tr> <td>NO.</td> <td>NO.2-37</td> </tr> </table>	Part No.	61557010008	CH part name	正时齿轮室	EN part name	Timing gearbox	RU part name	Крышка лобовины	Size:mm	515*503*85	Weight:kg	21.15	NO.	NO.2-37		<table border="1"> <tr> <td>Part No.</td> <td>61560010094B</td> </tr> <tr> <td>CH part name</td> <td>正时齿轮室</td> </tr> <tr> <td>EN part name</td> <td>Timing gearbox</td> </tr> <tr> <td>RU part name</td> <td>Крышка лобовины</td> </tr> <tr> <td>Size:mm</td> <td>515*503*85</td> </tr> <tr> <td>Weight:kg</td> <td>21.15</td> </tr> <tr> <td>NO.</td> <td>NO.2-37</td> </tr> </table>	Part No.	61560010094B	CH part name	正时齿轮室	EN part name	Timing gearbox	RU part name	Крышка лобовины	Size:mm	515*503*85	Weight:kg	21.15	NO.	NO.2-37
Part No.	61557010008																														
CH part name	正时齿轮室																														
EN part name	Timing gearbox																														
RU part name	Крышка лобовины																														
Size:mm	515*503*85																														
Weight:kg	21.15																														
NO.	NO.2-37																														
Part No.	61560010094B																														
CH part name	正时齿轮室																														
EN part name	Timing gearbox																														
RU part name	Крышка лобовины																														
Size:mm	515*503*85																														
Weight:kg	21.15																														
NO.	NO.2-37																														
Remarks: HOWO WD615 D10 E2-3		Remarks: HOWO WD615 E2																													

KD0043		KD0044									
	<table border="1"> <tr> <td>Part No.</td> <td>VG2600010928</td> </tr> <tr> <td>CH part name</td> <td>前油封座</td> </tr> </table>	Part No.	VG2600010928	CH part name	前油封座		<table border="1"> <tr> <td>Part No.</td> <td>VG2600010934</td> </tr> <tr> <td>CH part name</td> <td>前油封座垫片</td> </tr> </table>	Part No.	VG2600010934	CH part name	前油封座垫片
Part No.	VG2600010928										
CH part name	前油封座										
Part No.	VG2600010934										
CH part name	前油封座垫片										

Email: ventas@sdpartsdelivery.com

Email: ventas@sdpartsdelivery.com



Website: <http://www.sdpartsdelivery.com>

	EN part name RU part name Size:mm Weight:kg NO.	Front oil seal seat Передняя башня 147*125*35 0.8 NO.2-45		EN part name RU part name Size:mm Weight:kg NO.	Shim Прокладка на прокладке 147*125*1 0.02 NO.2-46
Remarks: HOWO WD615 D10 E2-3			Remarks: HOWO WD615 D10 E2-3		
KD0045			KD0046		
	Part No. CH part name EN part name RU part name Size:mm Weight:kg NO.	VG140010040 空压机齿轮盖垫片 Gasket Прокладка шестерни 0.015 NO.2-58		Part No. CH part name EN part name RU part name Size:mm Weight:kg NO.	VG2600010830 空压机齿轮盖 Cover Зубчатый крышка 205*83*70 NO.2-57
Remarks: HOWO WD615 D10 E2-3			Remarks: HOWO WD615 D10 E2-3		
KD0047			KD0048		
	Part No. CH part name EN part name RU part name Size:mm Weight:kg NO.	VG14010070 凸轮轴齿轮盖垫片 Gear cover gasket Прокладка шестерни 0.01 NO.2-65		Part No. CH part name EN part name RU part name Size:mm Weight:kg NO.	VG1500010008A 凸轮轴齿轮盖总成 Camshaft gear cover assy. Крышка 270*185*20 1.58 NO.2-64
Remarks: HOWO WD615 D10 E2-3			Remarks: HOWO WD615 D10 E2-3		
KD0049			KD0050		
	Part No.	VG1560010028		Part No.	61500020071/12

Email: ventas@sdpartsdelivery.com

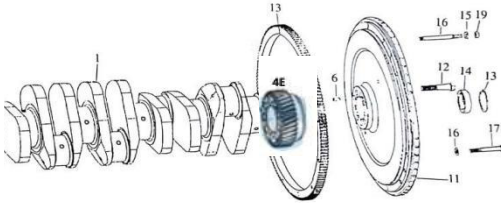

Email: ventas@sdpartsdelivery.com

Website: <http://www.sdpartsdelivery.com>

	CH part name	加油短管组件		CH part name	曲轴总成
	EN part name	Fuel spool assembly		EN part name	Crankshaft assy.
	RU part name	Заправочный блок		RU part name	Коленвал в сборе
	Size:mm			Size:mm	1100*220*220
	Weight:kg	0.35		Weight:kg	92.08
	NO.	NO.2-73		NO.	NO.3-1
Remarks: HOWO WD615 D10 E2-3			Remarks: HOWO WD615.92E.93E.97E E3 D10		

KD0051			KD0052		
	Part No.	61560020029/24		Part No.	VG1246060014
	CH part name	曲轴总成		CH part name	曲轴总成
	EN part name	Crankshaft assy.		EN part name	Crankshaft assy.
	RU part name	Коленвал в сборе		RU part name	Коленвал в сборе
	Size:mm	1100*220*220		Size:mm	
	Weight:kg	111		Weight:kg	115
	Price:usd	NO.3-1		Price:usd	NO.3-1

Remarks: HOWO WD615.95E.96E EGR D10 Remarks: HOWO D12

The crankshaft flywheel		NO.3	KD0053		
				Part No.	61800020022
				CH part name	曲轴总成
				EN part name	Crankshaft assy.
				RU part name	Коленвал в сборе
				Size:mm	1100*220*220
				Weight:kg	115
			Price:usd	NO.3-1	
Remarks: HOWO WD618					

Email: ventas@sdpartsdelivery.com

Email: ventas@sdpartsdelivery.com

Website: <http://www.sdpartsdelivery.com>

KD0054						
	Part No.	VG1500020070				
	CH part name	法兰				
	EN part name	Flange				
	RU part name	фланец				
	Size:mm	75*42				
	Weight:kg	1.45				
	Price:usd	NO.3-3				
Remarks: HOWO WD615 D10						
KD0055				KD0056		
	Part No.	VG14020038				
	CH part name	曲轴齿轮				
	EN part name	Crankshaft gear				
	RU part name	Шестерня коленвала				
	Size:mm	84*40				
	Weight:kg	0.75				
	Price:usd	NO.3-4				
Remarks: HOWO WD615 E3 D10				Part No.	VG1246020012	
				CH part name	曲轴前齿轮	
				EN part name	Crankshaft front gear	
				RU part name	Шестерня передняя коленвала	
				Size:mm	110*110*25	
				Weight:kg	1.3	
				Price:usd	NO.3-4	
Remarks: HOWO D12						

KD0057				KD0058		
	Part No.	VG1560020010				
	CH part name	曲轴硅油减震器				
	EN part name	Vibration damper				
	RU part name	Амортизатор коленвала				
	Size:mm	280*38				
	Weight:kg	12.48				
	Price:usd	NO.3-7				
Remarks: HOWO D10				Part No.	VG1246020011	
				CH part name	曲轴后齿轮	
				EN part name	Crankshaft rear gear	
				RU part name	Задняя шестерня коленчатого вала	
				Size:mm	120*120*35	
				Weight:kg	1.4	
				Price:usd	NO.3-4E	
Remarks: HOWO D12						

Email: ventas@sdpartsdelivery.com

Email: ventas@sdpartsdelivery.com

Website: <http://www.sdpartsdelivery.com>

KD0059				KD0060			
	Part No.	VG1540020003			Part No.	61800020012	
	CH part name	曲轴硅油减震器			CH part name	减震器	
	EN part name	Vibration damper			EN part name	Vibration damper	
	RU part name	Амортизатор коленвала			RU part name	Амортизатор коленвала	
	Size:mm	280*40			Size:mm	280*46	
	Weight:kg	12.91			Weight:kg	13	
	Price:usd	NO.3-7			Price:usd	NO.3-7	
Remarks: HOWO WD615 EGR E3 D10				Remarks: HOWO WD618			
KD0061				KD0062			
	Part No.	VG1246020002			Part No.	VG2600020253	
	CH part name	硅油减振器			CH part name	风扇多楔带	
	EN part name	Vibration damper			EN part name	Fan multi wedge belt	
	RU part name	Амортизатор			RU part name	Ремень клинчатый вентилятора	
	Size:mm	280*45			Size:mm	8PK1050	
	Weight:kg	12.91			Weight:kg	0.12	
	Price:usd	NO.3-7			Price:usd	NO.3-8	
Remarks: HOWO D12				Remarks: HOWO WD615 EGR D10 VG1062060007 VG1062060006			
KD0063				KD0064			
	Part No.	VG1246060082			Part No.	AZ1500090065	
	CH part name	多楔带			CH part name	三角皮带	
	EN part name	Fan multi wedge belt			EN part name	V belt	
	RU part name	Ремень клинчатый вентилятора			RU part name	Треугольный пояс	
	Size:mm	10PK1282			Size:mm	AV*13*1050	
	Weight:kg	0.15			Weight:kg	0.12	
	Price:usd	NO.3-8			Price:usd	NO.3-8	
Remarks: HOWO D12				Remarks: HOWO WD618			

Email: ventas@sdpartsdelivery.com

Email: ventas@sdpartsdelivery.com

Website: <http://www.sdpartsdelivery.com>

KD0065				KD0066			
	Part No.	VG1560020020			Part No.	61800020025	
	CH part name	皮带轮			CH part name	皮带轮	
	EN part name	Pulley			EN part name	Pulley	
	RU part name	Шкив			RU part name	Шкив	
	Size:mm				Size:mm		
	Weight:kg	4.7			Weight:kg	5	
	Price:usd	NO.3-9			Price:usd	NO.3-9	
Remarks: HOWO D10 WD615 E3				Remarks: HOWO WD618			
KD0067				KD0068			
	Part No.	90003802558			Part No.	VG1246020001	
	CH part name	皮带轮螺栓			CH part name	皮带轮	
	EN part name	Bolt			EN part name	Pulley	
	RU part name	болт			RU part name	Шкив	
	Size:mm				Size:mm		
	Weight:kg	0.11			Weight:kg	12	
	Price:usd	NO.3-10			Price:usd	NO.3-9	
Remarks: HOWO WD615 WD618 D10				Remarks: HOWO WD615			
KD0069				KD0070			
	Part No.	VG1246020004			Part No.	AZ1540020205	
	CH part name	皮带轮螺栓			CH part name	飞轮	
	EN part name	Bolt			EN part name	Flywheel	
	RU part name	болт			RU part name	Маховик	
	Size:mm				Size:mm	480*480*67	
	Weight:kg	0.11			Weight:kg	22.95	
	Price:usd	NO.3-10			Price:usd	NO.3-11	

Email: ventas@sdpartsdelivery.com

Email: ventas@sdpartsdelivery.com

Website: <http://www.sdpartsdelivery.com>

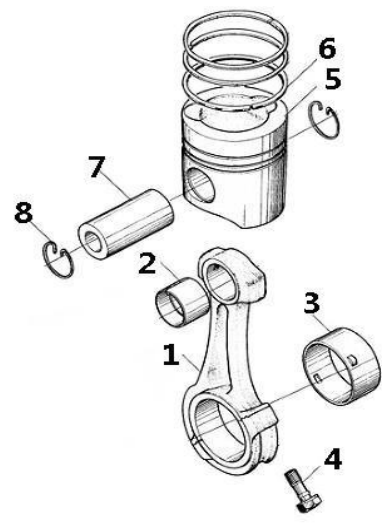


Remarks: HOWO D12			Remarks: HOWO WD615 E3 D10 VG1540020004 AZ1092020002		
KD0071			KD0072		
	Part No.	61500020023		Part No.	AZ1246020025A
	CH part name	飞轮		CH part name	飞轮
	EN part name	flywheel		EN part name	flywheel
	RU part name	Маховик		RU part name	Маховик
	Size:mm			Size:mm	
	Weight:kg	22.8		Weight:kg	22.95
	Price:usd	NO.3-11		Price:usd	NO.3-11
Remarks: HOWO WD618			Remarks: HOWO D12		


KD0073			KD0074		
	Part No.	VG1246020010		Part No.	VG1500020046
	CH part name	飞轮螺栓		CH part name	飞轮螺栓
	EN part name	Bolt		EN part name	Bolt
	RU part name	болт		RU part name	болт
	Size:mm			Size:mm	
	Weight:kg	0.15		Weight:kg	0.13
	Price:usd	NO.3-12		Price:usd	NO.3-12
Remarks: HOWO D12			Remarks: HOWO WD615 E3 WD618 D10		
KD0075			KD0076		
	Part No.	VG2600020208		Part No.	81500020009
	CH part name	飞轮齿圈 136 齿 16		CH part name	飞轮齿圈
	EN part name	Flywheel ring gear		EN part name	Flywheel ring gear
	RU part name	Венец маховика 136зубьев		RU part name	Венец маховика
	Size:mm	480*430*20		Size:mm	


Email: ventas@sdpartsdelivery.com

Email: ventas@sdpartsdelivery.com

Website: <http://www.sdpartsdelivery.com>

	Weight:kg	4.63		Weight:kg	4.5														
	Price:usd	N0.3-13		Price:usd	N0.3-13														
Remarks: HOWO WD615 E3 D10 D12 81400020015			Remarks: HOWO WD618																
piston rod		NO.4																	
																			
			<table border="1"> <tr><td>Part No.</td><td>90003311416</td></tr> <tr><td>CH part name</td><td>飞轮轴承</td></tr> <tr><td>EN part name</td><td>flywheel bearing</td></tr> <tr><td>RU part name</td><td>Подшипниковый подшипник</td></tr> <tr><td>Size:mm</td><td>80*20</td></tr> <tr><td>Weight:kg</td><td>0.15</td></tr> <tr><td>Price:usd</td><td>N0.3-14</td></tr> </table>			Part No.	90003311416	CH part name	飞轮轴承	EN part name	flywheel bearing	RU part name	Подшипниковый подшипник	Size:mm	80*20	Weight:kg	0.15	Price:usd	N0.3-14
Part No.	90003311416																		
CH part name	飞轮轴承																		
EN part name	flywheel bearing																		
RU part name	Подшипниковый подшипник																		
Size:mm	80*20																		
Weight:kg	0.15																		
Price:usd	N0.3-14																		
Remarks: HOWO WD615 WD618 D10 D12																			
																			
			<table border="1"> <tr><td>Part No.</td><td>161500030008</td></tr> <tr><td>CH part name</td><td>连杆体</td></tr> <tr><td>EN part name</td><td>Euro III Connecting rod</td></tr> <tr><td>RU part name</td><td>Шатун Евро3</td></tr> <tr><td>Size:mm</td><td>336*145*43</td></tr> <tr><td>Weight:kg</td><td>3.52</td></tr> <tr><td>Price:usd</td><td>N0.4-1</td></tr> </table>			Part No.	161500030008	CH part name	连杆体	EN part name	Euro III Connecting rod	RU part name	Шатун Евро3	Size:mm	336*145*43	Weight:kg	3.52	Price:usd	N0.4-1
Part No.	161500030008																		
CH part name	连杆体																		
EN part name	Euro III Connecting rod																		
RU part name	Шатун Евро3																		
Size:mm	336*145*43																		
Weight:kg	3.52																		
Price:usd	N0.4-1																		
Remarks: HOWO WD615 E3 D10																			

KD0079		
	Part No.	AZ1246030008
	CH part name	连杆体
	EN part name	Connecting rod
	RU part name	Шатун

KD0080		
	Part No.	61800030040
	CH part name	连杆体
	EN part name	Connecting rod
	RU part name	Шатун

Email: ventas@sdpartsdelivery.com

Email: ventas@sdpartsdelivery.com



Website: <http://www.sdpartsdelivery.com>



	Size:mm			Size:mm	
	Weight:kg	3.6		Weight:kg	3.5
	Price:usd	N0.4-1		Price:usd	N0.4-1
Remarks: HOWO D12			Remarks: HOWO WD618		
KD0081			KD0082		
	Part No.	VG1500030077		Part No.	VG1246030010
	CH part name	连杆衬套		CH part name	连杆衬套
	EN part name	Connecting rod bush		EN part name	Connecting rod bush
	RU part name	Втулка шатуна		RU part name	Втулка шатуна
	Size:mm	41*54		Size:mm	
	Weight:kg	0.15		Weight:kg	0.15
	Price:usd	N0.4-2		Price:usd	N0.4-2
Remarks: HOWO WD615 D10			Remarks: HOWO D12		
KD0083			KD0084		
	Part No.	61500030018		Part No.	VG1540030015/16
	CH part name	连杆衬套		CH part name	欧 III 连杆瓦(套)
	EN part name	Connecting rod bush		EN part name	Euro III connecting rod bearing
	RU part name	Втулка шатуна		RU part name	Вкладыши шатуна Евро3
	Size:mm			Size:mm	160*90*35
	Weight:kg	0.12		Weight:kg	1.11
	Price:usd	N0.4-2		Price:usd	N0.4-1-2
Remarks: HOWO WD618			Remarks: HOWO WD615 E3 VG1500010046		
KD0085			KD0086		
	Part No.	VG1246030011/12		Part No.	VG1560037034/15
	CH part name	欧 III 连杆瓦(套)		CH part name	欧 III 连杆瓦(套)
	EN part name	connecting rod bearing		EN part name	Euro III connecting rod bearing

Email: ventas@sdpartsdelivery.com



Email: ventas@sdpartsdelivery.com

Website: <http://www.sdpartsdelivery.com>

	RU part name	Вкладыши шатуна		RU part name	Вкладыши шатуна Евро3
	Size:mm			Size:mm	160*90*35
	Weight:kg			Weight:kg	1.11
	NO.	N0.4-3		NO.	N0.4-3
Remarks: HOWO D12			Remarks: HOWO D10		

KD0087			KD0088		
	Part No.	61800030049		Part No.	VG1560030020/33
	CH part name	欧 III 连杆瓦(套)		CH part name	欧 II 连杆瓦(套)
	EN part name	connecting rod bearing		EN part name	Connecting rod bearing
	RU part name	Вкладыши шатуна		RU part name	Вкладыши шатунна Евро2 (нижний)
	Size:mm	160*90*35		Size:mm	160*90*35
	Weight:kg	1.11		Weight:kg	1.11
	NO.	N0.4-3		NO.	N0.4-3

Remarks: HOWO WD618 Remarks: HOWO WD615 E2

KD0089			KD0090		
	Part No.	VG1500030023		Part No.	VG1246030013
	CH part name	连杆螺栓		CH part name	连杆螺栓
	EN part name	Connecting rod bolt		EN part name	Connecting rod bolt
	RU part name	Болт шатуна		RU part name	Болт шатуна
	Size:mm	73*23		Size:mm	70*15*15
	Weight:kg	0.09		Weight:kg	0.1
	Price:usd	N0.4-4		Price:usd	N0.4-4

Remarks: HOWO WD615 D10 Remarks: HOWO D12



KD0091			KD0092		
	Part No.	61800030019		Part No.	VG1560030010
	CH part name	连杆螺栓		CH part name	活塞(4A)

Email: ventas@sdpartsdelivery.com

Email: ventas@sdpartsdelivery.com

Website: <http://www.sdpartsdelivery.com>







	EN part name	Connecting rod bolt		EN part name	Piston (4A)
	RU part name	Болт шатуна		RU part name	Поршень
	Size:mm	20*20*100		Size:mm	123*123*126
	Weight:kg	0.11		Weight:kg	2.1
	Price:usd	N0.4-4		Price:usd	N0.4-5
Remarks: HOWO WD618			Remarks: HOWO WD615.92E.93E.97E		
KD0093			KD0094		
	Part No.	VG1246030001		Part No.	VG1560037011
	CH part name	活塞		CH part name	活塞
	EN part name	Piston		EN part name	Piston
	RU part name	Поршень		RU part name	Поршень
	Size:mm			Size:mm	
	Weight:kg	2.98		Weight:kg	3
	Price:usd	N0.4-5		Price:usd	N0.4-5
Remarks: HOWO D12			Remarks: HOWO D10		

	Part No.	61800030042		Part No.	VG1560030040
	CH part name	活塞		CH part name	活塞环
	EN part name	Piston		EN part name	Piston ring
	RU part name	Поршень		RU part name	Кольца поршневые
	Size:mm			Size:mm	130*130*80
	Weight:kg	3.01		Weight:kg	0.63
	Price:usd	N0.4-8-1		Price:usd	N0.4-6
Remarks: HOWO WD618			Remarks: HOWO WD615 E2 WD618		
KD0097			KD0098		
	Part No.	VG1560030013		Part No.	VG1540030005

Email: ventas@sdpartsdelivery.com

Email: ventas@sdpartsdelivery.com



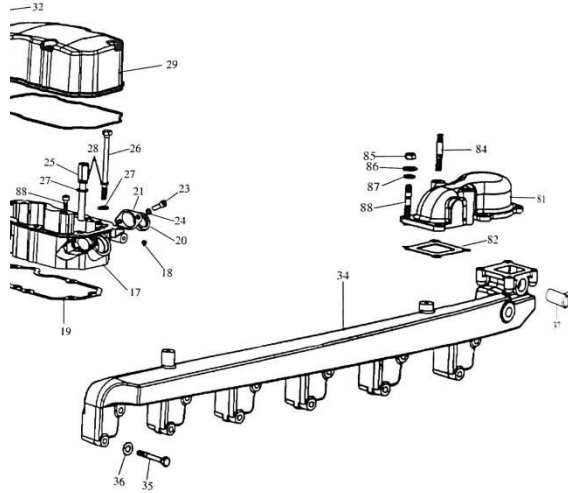

Website: <http://www.sdpartsdelivery.com>

	<table border="1"> <tr><td>CH part name</td><td>活塞销</td></tr> <tr><td>EN part name</td><td>Piston pin</td></tr> <tr><td>RU part name</td><td>Поршневой палец</td></tr> <tr><td>Size:mm</td><td>105*49</td></tr> <tr><td>Weight:kg</td><td>1.26</td></tr> <tr><td>Price:usd</td><td>NO.4-7</td></tr> </table>	CH part name	活塞销	EN part name	Piston pin	RU part name	Поршневой палец	Size:mm	105*49	Weight:kg	1.26	Price:usd	NO.4-7		<table border="1"> <tr><td>CH part name</td><td>活塞环</td></tr> <tr><td>EN part name</td><td>Piston ring</td></tr> <tr><td>RU part name</td><td>Кольца поршневые</td></tr> <tr><td>Size:mm</td><td>130*130*80</td></tr> <tr><td>Weight:kg</td><td>0.63</td></tr> <tr><td>Price:usd</td><td>NO.4-6</td></tr> </table>	CH part name	活塞环	EN part name	Piston ring	RU part name	Кольца поршневые	Size:mm	130*130*80	Weight:kg	0.63	Price:usd	NO.4-6				
CH part name	活塞销																														
EN part name	Piston pin																														
RU part name	Поршневой палец																														
Size:mm	105*49																														
Weight:kg	1.26																														
Price:usd	NO.4-7																														
CH part name	活塞环																														
EN part name	Piston ring																														
RU part name	Кольца поршневые																														
Size:mm	130*130*80																														
Weight:kg	0.63																														
Price:usd	NO.4-6																														
Remarks: HOWO WD615 WD618 D10 61560030013		Remarks: HOWO WD615 E3 D10 D12																													
KD0099		KD0100																													
	<table border="1"> <tr><td>Part No.</td><td>VG1246030002</td></tr> <tr><td>CH part name</td><td>活塞销</td></tr> <tr><td>EN part name</td><td>Piston pin</td></tr> <tr><td>RU part name</td><td>Поршневой палец</td></tr> <tr><td>Size:mm</td><td></td></tr> <tr><td>Weight:kg</td><td>1.3</td></tr> <tr><td>Price:usd</td><td>NO.4-7</td></tr> </table>	Part No.	VG1246030002	CH part name	活塞销	EN part name	Piston pin	RU part name	Поршневой палец	Size:mm		Weight:kg	1.3	Price:usd	NO.4-7		<table border="1"> <tr><td>Part No.</td><td>VG1560030012</td></tr> <tr><td>CH part name</td><td>活塞销挡圈</td></tr> <tr><td>EN part name</td><td>Circlip</td></tr> <tr><td>RU part name</td><td>Кольцо стопорное поршневого пальца</td></tr> <tr><td>Size:mm</td><td>56.6*47.4*1.8</td></tr> <tr><td>Weight:kg</td><td>0.01</td></tr> <tr><td>Price:usd</td><td>NO.4-8</td></tr> </table>	Part No.	VG1560030012	CH part name	活塞销挡圈	EN part name	Circlip	RU part name	Кольцо стопорное поршневого пальца	Size:mm	56.6*47.4*1.8	Weight:kg	0.01	Price:usd	NO.4-8
Part No.	VG1246030002																														
CH part name	活塞销																														
EN part name	Piston pin																														
RU part name	Поршневой палец																														
Size:mm																															
Weight:kg	1.3																														
Price:usd	NO.4-7																														
Part No.	VG1560030012																														
CH part name	活塞销挡圈																														
EN part name	Circlip																														
RU part name	Кольцо стопорное поршневого пальца																														
Size:mm	56.6*47.4*1.8																														
Weight:kg	0.01																														
Price:usd	NO.4-8																														
Remarks: HOWO D12		Remarks: HOWO WD615 D10																													
KD0101		KD0102																													
	<table border="1"> <tr><td>Part No.</td><td>81560030012</td></tr> <tr><td>CH part name</td><td>活塞销挡圈</td></tr> <tr><td>EN part name</td><td>Circlip</td></tr> <tr><td>RU part name</td><td>Кольцо стопорное поршневого пальца</td></tr> <tr><td>Size:mm</td><td></td></tr> <tr><td>Weight:kg</td><td>0.01</td></tr> <tr><td>Price:usd</td><td>NO.4-8</td></tr> </table>	Part No.	81560030012	CH part name	活塞销挡圈	EN part name	Circlip	RU part name	Кольцо стопорное поршневого пальца	Size:mm		Weight:kg	0.01	Price:usd	NO.4-8		<table border="1"> <tr><td>Part No.</td><td>VG1246030003</td></tr> <tr><td>CH part name</td><td>活塞销挡圈</td></tr> <tr><td>EN part name</td><td>Circlip</td></tr> <tr><td>RU part name</td><td>Кольцо стопорное поршневого пальца</td></tr> <tr><td>Size:mm</td><td></td></tr> <tr><td>Weight:kg</td><td>0.01</td></tr> <tr><td>Price:usd</td><td>NO.4-8</td></tr> </table>	Part No.	VG1246030003	CH part name	活塞销挡圈	EN part name	Circlip	RU part name	Кольцо стопорное поршневого пальца	Size:mm		Weight:kg	0.01	Price:usd	NO.4-8
Part No.	81560030012																														
CH part name	活塞销挡圈																														
EN part name	Circlip																														
RU part name	Кольцо стопорное поршневого пальца																														
Size:mm																															
Weight:kg	0.01																														
Price:usd	NO.4-8																														
Part No.	VG1246030003																														
CH part name	活塞销挡圈																														
EN part name	Circlip																														
RU part name	Кольцо стопорное поршневого пальца																														
Size:mm																															
Weight:kg	0.01																														
Price:usd	NO.4-8																														
Remarks: HOWO WD618		Remarks: HOWO D12																													
KD0103		KD0104																													

Email: ventas@sdpartsdelivery.com

Email: ventas@sdpartsdelivery.com




Website: <http://www.sdpartsdelivery.com>



	Part No.	AZ1096040028		Part No.	AZ1095040123
	CH part name	气缸盖		CH part name	气缸盖
	EN part name	Cylinder head		EN part name	Cylinder head
	RU part name	Головка цилиндра		RU part name	Головка цилиндра
	Size:mm			Size:mm	
	Weight:kg	14		Weight:kg	14
	Price:usd	NO.5-1		Price:usd	NO.5-1
Remarks: HOWO WD615 D10			Remarks: HOWO WD615 AZ1095040124		
Cylinder head		NO.5	KD0105		
				Part No.	61560040058
				CH part name	气缸盖
				EN part name	Cylinder head
				RU part name	Головка цилиндра
				Size:mm	
				Weight:kg	14
				Price:usd	NO.5-1
Remarks: HOWO WD618			Remarks: HOWO WD618		
			KD0106		
			Part No.	AZ1099040002	
			CH part name	气缸盖	

Email: ventas@sdpartsdelivery.com

Email: ventas@sdpartsdelivery.com

Website: <http://www.sdpartsdelivery.com>

						<table border="1"> <tr> <td>EN part name</td> <td>Cylinder head</td> </tr> <tr> <td>RU part name</td> <td>Головка цилиндра</td> </tr> <tr> <td>Size:mm</td> <td></td> </tr> <tr> <td>Weight:kg</td> <td>14</td> </tr> <tr> <td>Price:usd</td> <td>NO.5-1</td> </tr> </table>		EN part name	Cylinder head	RU part name	Головка цилиндра	Size:mm		Weight:kg	14	Price:usd	NO.5-1																		
EN part name	Cylinder head																																		
RU part name	Головка цилиндра																																		
Size:mm																																			
Weight:kg	14																																		
Price:usd	NO.5-1																																		
		Remarks: HOWO WD615 AZ1099040003/1 四气门 EGR																																	
KD0107				KD0108																															
		<table border="1"> <tr> <td>Part No.</td> <td>VG1560040057</td> </tr> <tr> <td>CH part name</td> <td>进气门座</td> </tr> <tr> <td>EN part name</td> <td>Euroll intake valve seat</td> </tr> <tr> <td>RU part name</td> <td>Сиденье впускного клапана Евро2</td> </tr> <tr> <td>Size:mm</td> <td>56*46*11</td> </tr> <tr> <td>Weight:kg</td> <td>0.049</td> </tr> <tr> <td>Price:usd</td> <td>NO.5-2</td> </tr> </table>		Part No.	VG1560040057	CH part name	进气门座	EN part name	Euroll intake valve seat	RU part name	Сиденье впускного клапана Евро2	Size:mm	56*46*11	Weight:kg	0.049	Price:usd	NO.5-2			<table border="1"> <tr> <td>Part No.</td> <td>AZ1246040010</td> </tr> <tr> <td>CH part name</td> <td>气缸盖</td> </tr> <tr> <td>EN part name</td> <td>Cylinder head</td> </tr> <tr> <td>RU part name</td> <td>Головка цилиндра</td> </tr> <tr> <td>Size:mm</td> <td>250*180*150</td> </tr> <tr> <td>Weight:kg</td> <td>15</td> </tr> <tr> <td>Price:usd</td> <td>NO.5-1</td> </tr> </table>		Part No.	AZ1246040010	CH part name	气缸盖	EN part name	Cylinder head	RU part name	Головка цилиндра	Size:mm	250*180*150	Weight:kg	15	Price:usd	NO.5-1
Part No.	VG1560040057																																		
CH part name	进气门座																																		
EN part name	Euroll intake valve seat																																		
RU part name	Сиденье впускного клапана Евро2																																		
Size:mm	56*46*11																																		
Weight:kg	0.049																																		
Price:usd	NO.5-2																																		
Part No.	AZ1246040010																																		
CH part name	气缸盖																																		
EN part name	Cylinder head																																		
RU part name	Головка цилиндра																																		
Size:mm	250*180*150																																		
Weight:kg	15																																		
Price:usd	NO.5-1																																		
Remarks: HOWO WD615 E2-3 D10 两气门				Remarks: HOWO D12 AZ1246040011																															

KD0109				KD0110																											
		<table border="1"> <tr> <td>Part No.</td> <td>VG1560040037</td> </tr> <tr> <td>CH part name</td> <td>排气门座</td> </tr> <tr> <td>EN part name</td> <td>Euroll exhaust valve seat</td> </tr> <tr> <td>RU part name</td> <td>Сиденье выпускного клапана Евро2</td> </tr> <tr> <td>Size:mm</td> <td>53*42*12</td> </tr> <tr> <td>Weight:kg</td> <td>0.049</td> </tr> </table>		Part No.	VG1560040037	CH part name	排气门座	EN part name	Euroll exhaust valve seat	RU part name	Сиденье выпускного клапана Евро2	Size:mm	53*42*12	Weight:kg	0.049			<table border="1"> <tr> <td>Part No.</td> <td>VG1540040007</td> </tr> <tr> <td>CH part name</td> <td>排气门座</td> </tr> <tr> <td>EN part name</td> <td>Euroll exhaust valve seat</td> </tr> <tr> <td>RU part name</td> <td>Сиденье выпускного клапана Евро2</td> </tr> <tr> <td>Size:mm</td> <td></td> </tr> <tr> <td>Weight:kg</td> <td>0.049</td> </tr> </table>		Part No.	VG1540040007	CH part name	排气门座	EN part name	Euroll exhaust valve seat	RU part name	Сиденье выпускного клапана Евро2	Size:mm		Weight:kg	0.049
Part No.	VG1560040037																														
CH part name	排气门座																														
EN part name	Euroll exhaust valve seat																														
RU part name	Сиденье выпускного клапана Евро2																														
Size:mm	53*42*12																														
Weight:kg	0.049																														
Part No.	VG1540040007																														
CH part name	排气门座																														
EN part name	Euroll exhaust valve seat																														
RU part name	Сиденье выпускного клапана Евро2																														
Size:mm																															
Weight:kg	0.049																														

Email: ventas@sdpartsdelivery.com

Email: ventas@sdpartsdelivery.com

Website: <http://www.sdpartsdelivery.com>

	Price:usd	NO.5-3		Price:usd	NO.5-3
Remarks: HOWO WD615 E2-3 D10 两气门			Remarks: HOWO D10 四气门 WD615 EGR		
KD0111			KD0112		
	Part No.	VG1246040012		Part No.	VG1540040006
	CH part name	进气门座		CH part name	进气门座
	EN part name	EuroII intake valve seat		EN part name	EuroII intake valve seat
	RU part name	Сиденьё впускного клапана Евро2		RU part name	Сиденьё впускного клапана Евро2
	Size:mm			Size:mm	
	Weight:kg	0.049		Weight:kg	0.049
	Price:usd	NO.5-2		Price:usd	NO.5-2
Remarks: HOWO D12 E2			Remarks: HOWO D10 四气门 WD615 EGR		
KD0113			KD0114		
	Part No.	VG1246040013		Part No.	VG1540040015
	CH part name	排气门座		CH part name	欧 III 气缸垫
	EN part name	EuroII exhaust valve seat		EN part name	Euro II cylinder head gasket
	RU part name	Сиденьё выпускного клапана Евро2		RU part name	Прокладка цилиндра Евро3
	Size:mm			Size:mm	250*150*3
	Weight:kg	0.049		Weight:kg	0.13
	NO.	NO.5-3		NO.	NO.5-11
Remarks: HOWO D12 E2			Remarks:HOWO D10 E3 WD615 VG1500040065		
KD0115			KD0116		
	Part No.	61500040049		Part No.	VG1246040021
	CH part name	气缸垫		CH part name	气缸垫
	EN part name	Euro II cylinder head gasket		EN part name	Euro III cylinder head gasket
	RU part name	Прокладка цилиндра Евро2		RU part name	Прокладка цилиндра Евро3
	Size:mm			Size:mm	



Email: ventas@sdpartsdelivery.com

Email: ventas@sdpartsdelivery.com

Website: <http://www.sdpartsdelivery.com>

	Weight:kg	0.129		Weight:kg	0.132
	NO.	NO.5-11		NO.	NO.5-11
Remarks: HOWO WD618			Remarks: HOWO D12		





KD0117			KD0118		
	Part No.	61560040032		Part No.	VG1540040016
	CH part name	气门杆密封套		CH part name	气门杆密封套
	EN part name	Oil seal		EN part name	Oil seal
	RU part name	Колпачок маслосъёмный		RU part name	Колпачок маслосъёмный
	Size:mm	D=14		Size:mm	D=12
	Weight:kg	0.01		Weight:kg	0.01
	NO.	NO.5-12		NO.	NO.5-12
	Remarks: HOWO WD618			Remarks: HOWO WD615 D10	

KD0119			KD0120		
	Part No.	VG1099040053		Part No.	VG1246050027
	CH part name	摇臂罩下罩总成		CH part name	气门杆密封套
	EN part name	Rocker lower hood		EN part name	Oil seal
	RU part name	Колпак капота		RU part name	Колпачок маслосъёмный
	Size:mm			Size:mm	9*11.5*10
	Weight:kg	0.8		Weight:kg	0.01
	NO.	NO.5-17		NO.	NO.5-12

Email: ventas@sdpartsdelivery.com

Email: ventas@sdpartsdelivery.com

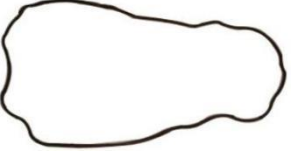

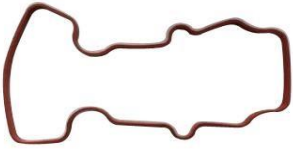



Website: <http://www.sdpartsdelivery.com>

Remarks: HOWO WD615 E3 EGR			Remarks: HOWO D12		
KD0121			KD0122		
	Part No.	VG1099040020		Part No.	VG1500040023
	CH part name	摇臂罩下罩总成		CH part name	气缸盖主螺栓
	EN part name	Rocker lower hood		EN part name	Cylinder head bolt
	RU part name	Колпак капота		RU part name	Болт главный головки блока цилиндра
	Size:mm			Size:mm	195*30*30
	Weight:kg	0.8		Weight:kg	0.25
	NO.	NO.5-17		NO.	NO.5-13
Remarks: HOWO D10 E3 四气门			Remarks: HOWO WD615 D10 WD618 61500040023		
KD0123			KD0124		
	Part No.	VG1246040005		Part No.	VG1246040020
	CH part name	气缸盖罩衬垫		CH part name	气缸盖主螺栓
	EN part name	Lower rock arm cover gasket		EN part name	Cylinder head bolt
	RU part name	Прокладка крышки клапанов (нижний)		RU part name	Болт главный головки блока цилиндра
	Size:mm	250*150*1		Size:mm	
	Weight:kg	0.01		Weight:kg	0.25
	NO.	NO.5-19		NO.	NO.5-13
Remarks: HOWO D12			Remarks: HOWO D12		
KD0125			KD0126		

Email: ventas@sdpartsdelivery.com

Email: ventas@sdpartsdelivery.com



Website: <http://www.sdpartsdelivery.com>

	Part No.	VG1099040018		Part No.	VG1246040030
	CH part name	上罩密封圈		CH part name	摇臂罩下罩总成
	EN part name	Upper rock arm cover seal		EN part name	Rocker lower hood
	RU part name	Прокладка крышки клапанов (верхний)		RU part name	Колпак капота
	Size:mm	220*150*1		Size:mm	
	Weight:kg	0.01		Weight:kg	0.8
	NO.	NO.5-30		NO.	NO.5-17
Remarks: HOWO D10 VG1099040052			Remarks: HOWO D12 VG1246040009		
KD0127			KD0128		
	Part No.	VG1246040023		Part No.	VG1099040022
	CH part name	气缸盖罩密封圈		CH part name	摇臂罩下罩衬垫
	EN part name	Upper rock arm cover seal		EN part name	Lower rock arm cover gasket
	RU part name	Прокладка крышки клапанов (верхний)		RU part name	Прокладка крышки клапанов (нижний)
	Size:mm			Size:mm	
	Weight:kg	0.021		Weight:kg	0.01
	NO.	NO.5-30		NO.	NO.5-19
Remarks: HOWO D12			Remarks: HOWO D10 四气门		
KD0129			KD0130		
	Part No.	VG1099040019		Part No.	VG1099040051
	CH part name	摇臂罩上罩		CH part name	摇臂罩下罩衬垫
	EN part name	Upper cylinder head cover		EN part name	Lower rock arm cover gasket
	RU part name	Капот головки блока цилиндра(верхний)		RU part name	Прокладка крышки клапанов (нижний)
	Size:mm			Size:mm	230*150*1
	Weight:kg	0.9		Weight:kg	0.01
	NO.	NO.5-29		NO.	NO.5-19
Remarks: HOWO D10 E3 四气门			Remarks: HOWO WD615 E3 EGR		



Email: ventas@sdpartsdelivery.com

Email: ventas@sdpartsdelivery.com

Website: <http://www.sdpartsdelivery.com>

KD0131				KD0132			
	Part No.	VG1246040003			Part No.	VG14040021	
	CH part name	气缸盖上罩			CH part name	气缸盖罩衬垫	
	EN part name	Upper cylinder head cover			EN part name	Euroll cylinder head cover gasket	
	RU part name	Капот головки блока цилиндра(верхний)			RU part name	Прокладка капота головки блока цилиндра	
	Size:mm	250*150*90			Size:mm	165*122*2	
	Weight:kg	0.83			Weight:kg	0.01	
	NO.	NO.5-29			NO.	NO.5-19	
Remarks: HOWO D12 E2				Remarks: HOWO WD615 E2 61560040039 VG14040065			

KD0133				KD0134			
	Part No.	VG1560040031			Part No.	VG1099040049	
	CH part name	气门导管			CH part name	摇臂罩上罩	
	EN part name	Valve guide			EN part name	Upper cylinder head cover	
	RU part name	Направляющая клапана			RU part name	Капот головки блока цилиндра(верхний)	
	Size:mm	71*16*10			Size:mm	220*138*80	
	Weight:kg	0.049			Weight:kg	0.9	
	NO.	NO.5-4			NO.	NO.5-29	
Remarks: HOWO WD615 D10 两气门				Remarks: HOWO WD615 EGR			

KD0135				KD0136			
	Part No.	VG1246040014			Part No.	VG1500040067	
	CH part name	气门导管			CH part name	气缸盖罩	
	EN part name	Valve guide			EN part name	Upper cylinder head cover	

Email: ventas@sdpartsdelivery.com

Email: ventas@sdpartsdelivery.com

Website: <http://www.sdpartsdelivery.com>

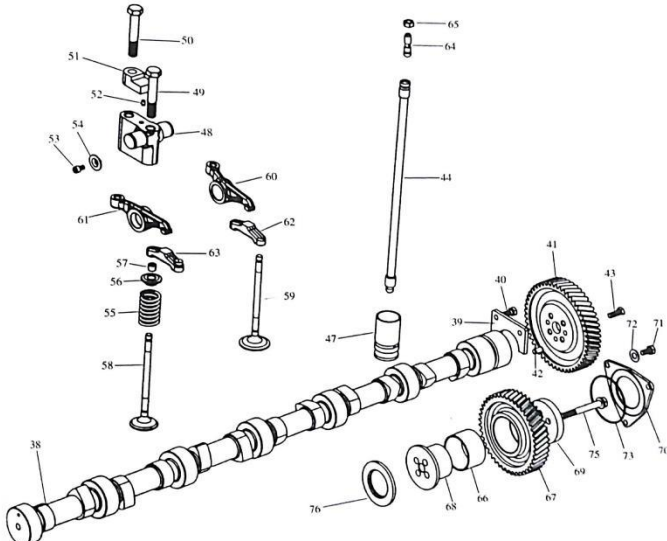
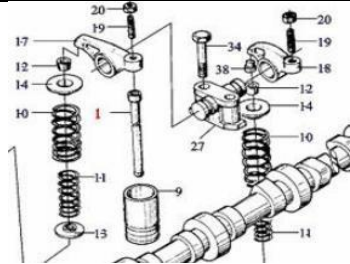



	RU part name	Направляющая клапана		RU part name	Капот головки блока цилиндра(верхний)
	Size:mm	50*30		Size:mm	80*120*68
	Weight:kg	0.05		Weight:kg	0.46
	NO.	NO.5-4		NO.	NO.5-29
Remarks: HOWO D12			Remarks: HOWO WD615 EGR D10 两气门 VG140400065		
KD0137			KD0138		
	Part No.	VG1096040001A		Part No.	VG1540040008
	CH part name	喷油器衬套		CH part name	气门导管
	EN part name	Injector sleeve		EN part name	Valve guide
	RU part name	Втулка на форсунки		RU part name	Направляющая клапана
	Size:mm	100*20*20		Size:mm	71*11
	Weight:kg	0.102		Weight:kg	0.06
	NO.	NO.5-5		NO.	NO.5-4
Remarks: HOWO D10 VG2600040099 VG1092040306			Remarks: HOWO D10 四气门 EGR		
KD0139			KD0140		
	Part No.	VG1540040231		Part No.	VG1246040016
	CH part name	出水管		CH part name	喷油器衬套
	EN part name	exhalent siphon		EN part name	Injector sleeve
	RU part name	Дренажная труба		RU part name	Втулка на форсунки
	Size:mm	980*130*70		Size:mm	120*26*23
	Weight:kg	2.8		Weight:kg	0.6

Email: ventas@sdpartsdelivery.com

Email: ventas@sdpartsdelivery.com

Website: <http://www.sdpartsdelivery.com>





	NO.	NO.5-34		NO.	NO.5-5
Remarks: HOWO D10 四气门 VG1096040330 两气门			Remarks: HOWO D12 VG1540040009		



Distribution agency		NO.6	KD0141			
					Part No.	VG1540040232
					CH part name	节温器盖(无丝)
				EN part name	Thermostat housing	
				RU part name	Корпус термостата	
				Size:mm	180*80*70	
				Weight:kg	0.45	
				NO.	NO.5-81	
			Remarks:HOWO D10 E3 四气门			
			KD0142			
				Part No.	VG1096040332	
				CH part name	节温器盖	
				EN part name	Thermostat housing	
				RU part name	Корпус термостата	
				Size:mm		
				Weight:kg	0.42	
				NO.	NO.5-81	
			Remarks: HOWO D10 E3 VG1500040105			
KD0143			KD0144			
	Part No.	VG1560050042		Part No.	VG1246050021	
	CH part name	欧 II 进气门		CH part name	进气门	

Email: ventas@sdpartsdelivery.com

Email: ventas@sdpartsdelivery.com

Website: <http://www.sdpartsdelivery.com>

	EN part name	EuroII intake valve		EN part name	EuroIII intake valve
	RU part name	Клапан впускной Евро2		RU part name	Клапан впускной Евро3
	Size:mm	154*54.5		Size:mm	
	Weight:kg	0.23		Weight:kg	0.23
	NO.	NO.6-59		NO.	NO.6-59
Remarks:HOWO D10 E2 两气门 WD615			Remarks: HOWO D12		
KD0145			KD0146		
	Part No.	VG1560050041		Part No.	VG1246050022
	CH part name	排气门		CH part name	排气门
	EN part name	EuroII exhaust valve		EN part name	EuroIII exhaust valve
	RU part name	Клапан выпускной Евро2		RU part name	Клапан выпускной Евро3
	Size:mm	154*49.8		Size:mm	
	Weight:kg	0.23		Weight:kg	0.23
	NO.	NO.6-58		NO.	NO.6-58
Remarks: HOWO D10 E2 两气门 WD615			Remarks: HOWO D12		

KD0147			KD0148		
	Part No.	VG1540050014		Part No.	VG1540050015
	CH part name	欧 III 排气门		CH part name	进气门
	EN part name	EuroIII exhaust valve		EN part name	EuroIII intake valve
	RU part name	Клапан выпускной Евро3		RU part name	Клапан впускной Евро3
	Size:mm	159*39.5		Size:mm	183*41.8
	Weight:kg	0.14		Weight:kg	0.15
	NO.	NO.6-58		NO.	NO.6-59
Remarks: HOWO D10 E3 WD615 四气门			Remarks: HOWO D10 E3 WD615 四气门		

Email: ventas@sdpartsdelivery.com

Email: ventas@sdpartsdelivery.com

Website: <http://www.sdpartsdelivery.com>



KD0149				KD0150			
	Part No.	VG1500050096			Part No.	VG1246050038	
	CH part name	凸轮轴			CH part name	凸轮轴	
	EN part name	Euro II camshaft			EN part name	camshaft	
	RU part name	Распредвал Евро2			RU part name	Распредвал	
	Size:mm	980*70*70			Size:mm		
	Weight:kg	10.5			Weight:kg	10	
	NO.	NO.6-38			NO.	NO.6-38	
Remarks: HOWO WD615 E2				Remarks: HOWO D12			
KD0151				KD0152			
	Part No.	VG1540050004			Part No.	VG14050133	
	CH part name	凸轮轴			CH part name	止推片	
	EN part name	camshaft			EN part name	Stop shim	
	RU part name	Распредвал			RU part name	Кольцо стопорное кулачкового вала	
	Size:mm				Size:mm	80*46*6	
	Weight:kg	10			Weight:kg	0.11	
	NO.	NO.6-38			NO.	NO.6-39	
Remarks: HOWO D10				Remarks: HOWO WD615 D10			
KD0153				KD0154			
	Part No.	VG1246050039			Part No.	VG14050053	
	CH part name	止推片			CH part name	凸轮正时齿轮	
	EN part name	Stop shim			EN part name	Camshaft gear	
	RU part name	Кольцо стопорное кулачкового вала			RU part name	Шестерня коленвала	
	Size:mm				Size:mm	180*180*45	
	Weight:kg	0.12			Weight:kg	2.8	
	NO.	NO.6-39			NO.	NO.6-41	

Email: ventas@sdpartsdelivery.com

Email: ventas@sdpartsdelivery.com

Website: <http://www.sdpartsdelivery.com>



Remarks: HOWO D12	Remarks: HOWO WD615 D10
-------------------	-------------------------

KD0155			KD0156		
	Part No.	VG1246050036		Part No.	VG1560050052
	CH part name	凸轮轴齿轮		CH part name	凸轮轴中间齿轮
	EN part name	Camshaft gear		EN part name	Camshaft mid-gear shaft
	RU part name	Шестерня коленвала		RU part name	Шестерня промежуточная распредвала
	Size:mm	180*180*45		Size:mm	140*40
	Weight:kg	2.58		Weight:kg	1.94
	NO.	NO.6-41		NO.	NO.6-67

Remarks: HOWO D12	Remarks: HOWO WD615 D10
-------------------	-------------------------

KD0157			KD0158		
	Part No.	VG1246050060		Part No.	VG1560050044
	CH part name	中间齿轮		CH part name	中间齿轮轴
	EN part name	Intermediate gear		EN part name	Intermediate gear shaft
	RU part name	Шестерня промежуточная		RU part name	Ось промежуточной шестерни
	Size:mm	180*180*45		Size:mm	
	Weight:kg	2.28		Weight:kg	0.59
	NO.	NO.6-67		NO.	NO.6-68

Remarks:HOWO D12	Remarks:HOWO WD615 D10
------------------	------------------------

KD0159			KD0160		
	Part No.	VG1246050020		Part No.	VG1246050034
	CH part name	欧 II 气门推杆		CH part name	中间齿轮轴
	EN part name	EuroII valve push rod		EN part name	Intermediate gear shaft
	RU part name	Толкатель клапана Евро2		RU part name	Ось промежуточной шестерни
	Size:mm	375*16*16		Size:mm	
	Weight:kg	0.198		Weight:kg	0.52

Email: ventas@sdpartsdelivery.com

Email: ventas@sdpartsdelivery.com

Website: <http://www.sdpartsdelivery.com>

	NO.	NO.6-44		NO.	NO.6-68
Remarks: HOWO WD615 D12			Remarks: HOWO D12		
KD0161			KD0162		
	Part No.	VG1500050032		Part No.	VG1246050029
	CH part name	气门挺柱		CH part name	气门挺柱
	EN part name	Tappet		EN part name	Tappet
	RU part name	Направляющая клапана		RU part name	Направляющая клапана
	Size:mm	72*38		Size:mm	72*38*38
	Weight:kg	0.269		Weight:kg	0.269
	NO.	NO.6-9		NO.	NO.6-9
Remarks: HOWO ED615 D10			Remarks: HOWO D12		

KD0163			KD0164		
	Part No.	VG1540050008		Part No.	VG1246050008
	CH part name	气门推杆		CH part name	气门摇臂
	EN part name	EuroIII valve push rod		EN part name	intake valve rock arm
	RU part name	Толкатель клапана Евро3		RU part name	Рычаг впускной
	Size:mm	393*16*16		Size:mm	
	Weight:kg	0.198		Weight:kg	0.43
	NO.	NO.6-1		NO.	NO.6-60
Remarks: HOWO D10 E3			Remarks: HOWO D12		
KD0165			KD0166		
	Part No.	VG14050049		Part No.	VG1540050016

Email: ventas@sdpartsdelivery.com

Email: ventas@sdpartsdelivery.com

Website: <http://www.sdpartsdelivery.com>



	CH part name EN part name RU part name Size:mm Weight:kg NO.	排气门摇臂 Euro II exhaust valve rock arm Рычаг выпускной Евро2 87*24*45 0.18 NO.6-61		CH part name EN part name RU part name Size:mm Weight:kg NO.	进气门摇臂 EuroIII intake valve rock arm Рычаг впускной Евро3 116*40*20 0.4 NO.6-60
Remarks: HOWO WD615 E2		Remarks: HOWO WD615 E3 VG1540050032 D10			
KD0167			KD0168		
	Part No. CH part name EN part name RU part name Size:mm Weight:kg NO.	VG14050048 进气门摇臂 EuroII intake valve rock arm Рычаг впускной Евро2 116*40*24 0.24 NO.6-60		Part No. CH part name EN part name RU part name Size:mm Weight:kg NO.	VG1540050017 排气门摇臂 Euro III exhaust valve rock arm Рычаг выпускной Евро3 116*40*20 0.18 NO.6-61
Remarks: HOWO WD615 E2		Remarks: HOWO WD615 E3 VG1540050033 D10			
KD0169			KD0170		
	Part No. CH part name EN part name RU part name	VG14050010 气门间隙调整螺栓及螺母 Bolt and nut Болт и гайка регулировочные		Part No. CH part name EN part name RU part name	VG1540050018 进气门桥 EuroIII intake valve pons Мост впускной Евро3

Email: ventas@sdpartsdelivery.com

Email: ventas@sdpartsdelivery.com

Website: <http://www.sdpartsdelivery.com>

	Size:mm	40*10*10		Size:mm	73*15*23
	Weight:kg	0.03		Weight:kg	0.119
	NO.	NO.6-64-65		NO.	NO.6-80
Remarks: HOWO WD615 D10 VG2130050065			Remarks: HOWO E3 D12		

KD0171			KD0172		
	Part No.	VG1246050006		Part No.	VG1540050019
	CH part name	摇臂轴总成		CH part name	排气门桥
	EN part name	Rocker arm shaft		EN part name	EuroIII exhaust valve pons
	RU part name	Ось качалки		RU part name	Мост выпускной Евро3
	Size:mm			Size:mm	73*15*23
	Weight:kg	0.56		Weight:kg	0.119
	NO.	NO.6-48		NO.	NO.6-83
Remarks: HOWO D12			Remarks: HOWO E3 D12 VG1540059028		

KD0173			KD0174		
	Part No.	VG14050119		Part No.	VG1540050010D
	CH part name	气门摇臂座		CH part name	气门摇臂座
	EN part name	EuroII valve rock arm seat		EN part name	EuroIII valve rock arm seat
	RU part name	Опора коромысла клапанов Евро2		RU part name	Опора коромысла клапанов Евро3
	Size:mm	75*72*45		Size:mm	72*76*20
	Weight:kg	0.61		Weight:kg	0.85

Email: ventas@sdpartsdelivery.com

Email: ventas@sdpartsdelivery.com

Website: <http://www.sdpartsdelivery.com>

	NO.	NO.6-48		NO.	NO.6-48
Remarks: HOWO WD615 E2			Remarks: HOWO D10 E3		
KD0175			KD0176		
	Part No.	VG1500050002		Part No.	VG1246050005
	CH part name	气门外弹簧		CH part name	摇臂座
	EN part name	Outer valve spring		EN part name	valve rock arm seat
	RU part name	Пружина клапана наружная		RU part name	Опора коромысла клапанов
	Size:mm	60*40		Size:mm	
	Weight:kg	0.05		Weight:kg	0.6
	NO.	NO.6-10		NO.	NO.6-48
Remarks: HOWO WD615 D10 VG1500050002 D12			Remarks: HOWO D12		
KD0177			KD0178		
	Part No.	VG1500050001		Part No.	VG1500050025
	CH part name	气门内弹簧		CH part name	气门锁夹
	EN part name	Inner valve spring		EN part name	Valve cone
	RU part name	Пружина клапана внутренняя		RU part name	Сухарь клапана
	Size:mm	60*30		Size:mm	9*13*6
	Weight:kg	0.03		Weight:kg	0.01
	NO.	NO.6-10		NO.	NO.6-56
Remarks: HOWO WD615 D10 VG1246050024 D12			Remarks: HOWO WD615 D10 VG1500050021 VG1246050028 D12		

Email: ventas@sdpartsdelivery.com

Email: ventas@sdpartsdelivery.com



Website: <http://www.sdpartsdelivery.com>

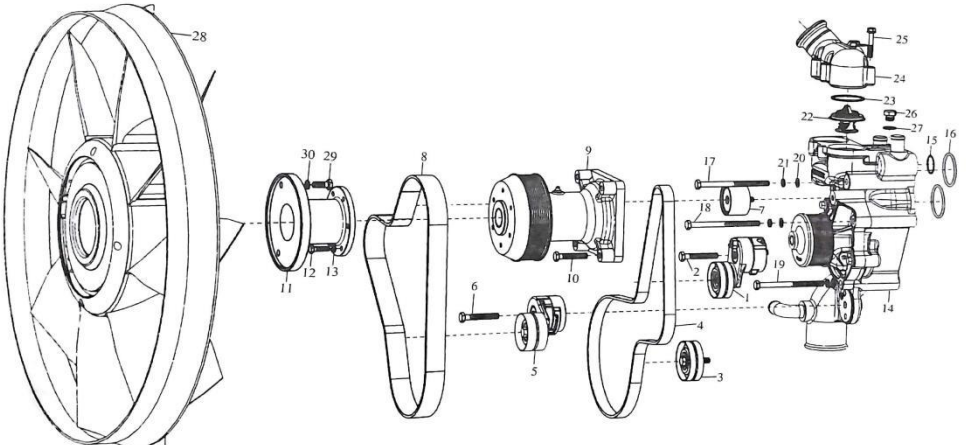


KD0179				KD0180			
	Part No.	VG1500050105			Part No.	VG14050017	
	CH part name	气门帽			CH part name	进气门弹簧下座	
	EN part name	Air valve cap			EN part name	spring bottom seat	
	RU part name	Крышка воздушного клапана			RU part name	Нижняя стойка пружины	
	Size:mm	20*8			Size:mm		
	Weight:kg	0.018			Weight:kg	0.01	
	NO.	NO.6-57			NO.	NO.6-13	
Remarks: HOWO WD615 D10				Remarks: HOWO WD615 D10			
KD0181				KD0182			
	Part No.	VG1246050025			Part No.	VG1500050109	
	CH part name	气门弹簧上座			CH part name	气门弹簧上座	
	EN part name	spring upper seat			EN part name	spring upper seat	
	RU part name	Верхняя часть пружины			RU part name	Верхняя часть пружины	
	Size:mm				Size:mm		
	Weight:kg	0.015			Weight:kg	0.015	
	NO.	NO.6-14			NO.	NO.6-14	
Remarks: HOWO D12				Remarks: HOWO WD615 D10			
KD0183				KD0184			
	Part No.	VG1246050026			Part No.	VG1246060042	
	CH part name	气门弹簧下座			CH part name	水泵总成	
	EN part name	spring bottom seat			EN part name	Water pump (multi wedge)	
	RU part name	Нижняя стойка пружины			RU part name	Помпа (ручейковый шкив)	
	Size:mm				Size:mm	350*240*200	
	Weight:kg	0.01			Weight:kg	18	
	NO.	NO.6-13			NO.	NO.7-14	

Email: ventas@sdpartsdelivery.com

Email: ventas@sdpartsdelivery.com

Website: <http://www.sdpartsdelivery.com>





Remarks: HOWO D12			Remarks: HOWO D12		
KD0185			KD0186		
	Part No.	VG1500060051		Part No.	VG1500060050
	CH part name	水泵总成		CH part name	水泵总成
	EN part name	Water pump (multi wedge)		EN part name	Water pump assy.
	RU part name	Помпа (ручейковый шкив)		RU part name	Водяной насос в сборе
	Size:mm	250*215		Size:mm	380*360*200
	Weight:kg	18.09		Weight:kg	16.5
	NO.	NO.7-14		NO.	NO.7-14
Remarks: HOWO D10			Remarks: HOWO WD615		



cooling system/D12		NO.7	KD0187		
				Part No.	VG1246060070
				CH part name	风扇托架总成
				EN part name	Fan bracket assembly
				RU part name	кронштейн вентилятора
				Size:mm	50*30
				Weight:kg	1
				NO.	NO.7-9
Remarks: HOWO D12			KD0188		
				Part No.	VG1500060240
				CH part name	中间法兰
				EN part name	Interspace flange
				RU part name	Фланец промежуточный вентилятора
				Size:mm	170*170*65
				Weight:kg	3.4
				NO.	NO.7-11

Email: ventas@sdpartsdelivery.com

Email: ventas@sdpartsdelivery.com

Website: <http://www.sdpartsdelivery.com>

			Remarks: HOWO D10 E3 WD615		
KD0189			KD0190		
	Part No.	VG1246060046A		Part No.	VG1500060241
	CH part name	中间法兰		CH part name	中间法兰
	EN part name	Interspace flange		EN part name	Interspace flange
	RU part name	Фланец промежуточный вентилятора		RU part name	Фланец промежуточный вентилятора
	Size:mm	170*170*65		Size:mm	120*120*160
	Weight:kg	3.5		Weight:kg	1.5
	NO.	NO.7-11		NO.	NO.7-11
Remarks: HOWO D12 VG1038060243			Remarks: HOWO D10 E3 WD615		
KD0191			KD0192		
	Part No.	VG1246060023		Part No.	VG1099060001
	CH part name	节温器壳体		CH part name	节温器总成
	EN part name	Thermostat housing		EN part name	New model thermostat(80 °C)
	RU part name	Корпус термостата		RU part name	Термостат нового модели(80 °C)
	Size:mm	160*140*100		Size:mm	
	NO.	0.42		Weight:kg	1.02
	NO.	NO.7-24		NO.	NO.7-24
Remarks: HOWO D12 E2			Remarks: HOWO D10 VG1096069601		

KD0193			KD0194		
	Part No.	VG1246060024		Part No.	VG1560060023
	CH part name	节温器芯		CH part name	水管接头
	EN part name	Thermostat core		EN part name	Water pipe joint
	RU part name	Термостат без корпуса		RU part name	соединение труб
	Size:mm	80*80*60		Size:mm	260*68
	Weight:kg	0.12		Weight:kg	0.31

Email: ventas@sdpartsdelivery.com

Email: ventas@sdpartsdelivery.com

Website: <http://www.sdpartsdelivery.com>



	NO.	NO.7-22		NO.	NO.7-24
Remarks: HOWO A7 D12			Remarks: HOWO D10 WD615 VG1560060022A		
KD0195			KD0196		
	Part No.	VG14060136		Part No.	VG1500060117
	CH part name	节温器		CH part name	节温器
	EN part name	New model thermostat(80 °C)		EN part name	New model thermostat(71 °C)
	RU part name	Термостат нового модели(80 °C)		RU part name	Термостат нового модели(71 °C)
	Size:mm	100*160*140		Size:mm	160*140*100
	Weight:kg	0.8		Weight:kg	0.8
	NO.	NO.7-22		NO.	NO.7-22
Remarks: HOWO D10			Remarks: HOWO D10		
KD0197			KD0198		
	Part No.	VG1500061202		Part No.	VG1500061201
	CH part name	节温器芯		CH part name	节温器芯
	EN part name	Thermostat core(80 °C)		EN part name	Thermostat core(71 °C)
	RU part name	Термостат без корпуса(80 °C)		RU part name	Термостат без корпуса (71 °C)
	Size:mm	80*80*70		Size:mm	80*80*70
	Weight:kg	0.2		Weight:kg	0.2
	NO.	NO.7-22		NO.	NO.7-22
Remarks: HOWO D10			Remarks: HOWO D10		
KD0200			KD0201		
	Part No.	VG14060135		Part No.	VG1500060116
	CH part name	节温器		CH part name	节温器
	EN part name	Old model thermostat(80 °C)		EN part name	Old model thermostat(71 °C)
	RU part name	Термостат старого модели(80 °C)		RU part name	Термостат старого модели(71 °C)
	Size:mm	180*135*100		Size:mm	180*135*100
	Weight:kg	0.51		Weight:kg	0.51

Email: ventas@sdpartsdelivery.com

Email: ventas@sdpartsdelivery.com

Website: <http://www.sdpartsdelivery.com>


	NO.	NO.7-22		NO.	NO.7-22
Remarks: HOWO WD615			Remarks: HOWO WD615		

KD0202			KD0203		
	Part No.	VG1500061203		Part No.	VG1246060082
	CH part name	节温器壳体		CH part name	多楔带
	EN part name	Thermostat housing		EN part name	Fan multi wedge belt
	RU part name	Корпус термостата		RU part name	Ремень клинчатый вентилятора
	Size:mm	160*140*100		Size:mm	10PK1282
	Weight:kg	0.4		Weight:kg	0.12
	Price:usd	NO.7-24		NO.	NO.7-8

Remarks: HOWO D10			Remarks: HOWO D12 10PK1282		
-------------------	--	--	----------------------------	--	--

KD0204			KD0205		
	Part No.	VG2600020253		Part No.	VG1246060008
	CH part name	风扇多楔带		CH part name	多楔带
	EN part name	Fan multi wedge belt		EN part name	Fan multi wedge belt
	RU part name	Ремень клинчатый вентилятора		RU part name	Ремень клинчатый вентилятора
	Size:mm	1050*30*10		Size:mm	6PK1425
	Weight:kg	0.12		Weight:kg	0.12
	NO.	NO.7-8		NO.	NO.7-4

Remarks: HOWO D10 8PK1050			Remarks: HOWO D12 6PK1425		
---------------------------	--	--	---------------------------	--	--

KD0206			KD0207		
	Part No.	VG2600020251		Part No.	VG1500060228
	CH part name	风扇多楔带		CH part name	三角风扇带
	EN part name	Fan multi wedge belt		EN part name	Fan triangle belt
	RU part name	Ремень клинчатый вентилятора		RU part name	Ремень
	Size:mm	1062*30*10		Size:mm	1125*13*10
	Weight:kg	0.12		Weight:kg	0.1

Email: ventas@sdpartsdelivery.com

Email: ventas@sdpartsdelivery.com

Website: <http://www.sdpartsdelivery.com>





	NO.	NO.7-8		NO.	NO.7-8
Remarks: HOWO D10 8PK1062			Remarks: HOWO WD615 AV13*1125		
KD0208			KD0209		
	Part No.	VG1246060001		Part No.	VG1246060002
	CH part name	自动涨紧轮		CH part name	自动涨紧轮
	EN part name	Automatic pulley		EN part name	Automatic pulley
	RU part name	Ролик натяжной		RU part name	Ролик натяжной
	Size:mm	150*80*80		Size:mm	150*80*80
	Weight:kg	1.6		Weight:kg	1.6
	NO.	NO.7-1		NO.	NO.7-5
Remarks: HOWO A7 D12			Remarks: HOWO A7 D12		



KD0210			KD0212		
	Part No.	VG2600060313		Part No.	VG1246060004
	CH part name	自动涨紧轮		CH part name	平惰轮
	EN part name	Automatic pulley		EN part name	Idle pulley
	RU part name	Ролик натяжной		RU part name	Ролик паразитный приводного ремня
	Size:mm	150*80*80		Size:mm	80*80*45
	Weight:kg	1.6		Weight:kg	0.5
	NO.	NO.7-1		NO.	NO.7-3
Remarks: HOWO D10			Remarks: HOWO D12		
KD0213			KD0214		
	Part No.	VG1246060047		Part No.	VG1560060069
	CH part name	平惰轮		CH part name	张紧轮总成
	EN part name	Idle pulley		EN part name	Tension wheel
	RU part name	Ролик паразитный приводного ремня		RU part name	Натяжное колесо
	Size:mm	60*60*45		Size:mm	100*40
	Weight:kg	0.4		Weight:kg	2.1

Email: ventas@sdpartsdelivery.com

Email: ventas@sdpartsdelivery.com

Website: <http://www.sdpartsdelivery.com>







	NO.	NO.7-7		NO.	NO.7-3
Remarks: HOWO D12			Remarks: HOWO WD615 E2		
KD0215			KD0216		
	Part No.	VG1246060028		Part No.	VG1246060025
	CH part name	O 型圈		CH part name	节温器 O 型圈
	EN part name	"O" ring		EN part name	"O" ring
	RU part name	"O" резиновая прокладка		RU part name	"O" резиновая прокладка
	Size:mm			Size:mm	
	Weight:kg	0.01		Weight:kg	0.01
	NO.	NO.10-16		NO.	NO.7-23
Remarks: HOWO D12			Remarks: HOWO D12		
KD0217			KD0218		
	Part No.	VG1500060131		Part No.	VG1246060051
	CH part name	风扇叶		CH part name	环形硅油风扇总成
	EN part name	Fan		EN part name	Fan
	RU part name	Вентилятор		RU part name	Вентилятор
	Size:mm	620*85		Size:mm	φ758
	Weight:kg	2.13		Weight:kg	3.16
	NO.	NO.7-28		NO.	NO.7-28
Remarks: HOWO WD615 E2			Remarks: HOWO D12		

KD0219			KD0220		
	Part No.	VG1099060201		Part No.	VG2600060446
	CH part name	φ704 环形硅油风扇总成		CH part name	环形硅油风扇总成
	EN part name	Fan with ring(704mm)		EN part name	Fan with ring(646mm)
	RU part name	Вентилятор охлаж диаметр 704mm		RU part name	Вентилятор охлаж диаметр 646mm
	Size:mm	704*85		Size:mm	640*85

Email: ventas@sdpartsdelivery.com

Email: ventas@sdpartsdelivery.com

Website: <http://www.sdpartsdelivery.com>

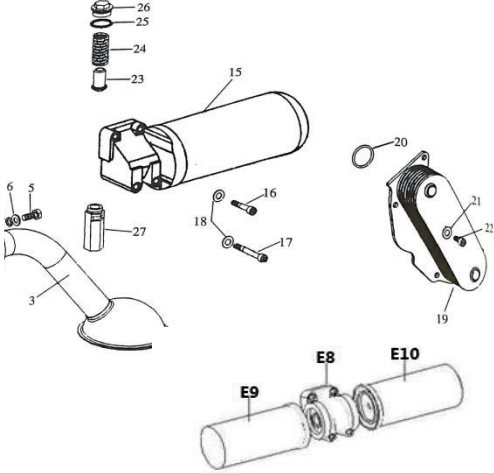




	Weight:kg	3.21		Weight:kg	3.1
	NO.	NO.7-28		NO.	NO.7-28
Remarks:HOWO D10			Remarks: HOWO D10 VG2600060447 φ590		
KD0221			KD0222		
	Part No.	VG1500060047		Part No.	VG1500070021
	CH part name	风扇叶		CH part name	45mm 机油泵总成
	EN part name	Fan		EN part name	Oil pump Евро2
	RU part name	Вентилятор		RU part name	Масляный насос в сборе
	Size:mm	570*85		Size:mm	290*260*1.05
	NO.	2.35		Weight:kg	10.07
	NO.	NO.7-28		NO.	NO.8-2
Remarks: HOWO			Remarks:HOWO WD615 E2 EGR D10 AZ1500070021		
KD0223			KD0224		
	Part No.	VG1246070022		Part No.	VG1800070051
	CH part name	机油泵		CH part name	集滤器
	EN part name	Oil pump		EN part name	Suction filter assy.
	RU part name	Масляный насос в сборе		RU part name	Маслоприемник
	Size:mm	290*260*1.05		Size:mm	320*190*138
	Weight:kg	10.1		Weight:kg	0.45
	NO.	NO.8-2		NO.	NO.8-3
Remarks: HOWO A7 D12			Remarks: HOWO WD615 D10 EGR VG1500070082		
KD0225			KD0226		
	Part No.	VG1246070014		Part No.	VG1500070097
	CH part name	集滤器		CH part name	主油道限压阀总成
	EN part name	Suction filter assy.		EN part name	Main oil gallery pressure limiting valve assy.
	RU part name	Маслоприемник		RU part name	Предохранительный клапан
	Size:mm	290*190*138		Size:mm	78*27
	Weight:kg	0.32		Weight:kg	0.23

Email: ventas@sdpartsdelivery.com

Email: ventas@sdpartsdelivery.com

Website: <http://www.sdpartsdelivery.com>

	NO.	NO.8-3		NO.	NO.8-27
Remarks: HOWO D12			Remarks: HOWO WD615 D10 VG1500070099		

lubrication system		NO.8	KD0227												
				Part No.	VG1560070099										
				CH part name	机油泵限压冷阀总成										
			EN part name	Oil pump pressure limiting valve assy.											
			RU part name	Предохранительный клапан в сборе											
			Size:mm	75*23											
			Weight:kg	0.15											
			NO.	NO.8-27											
			Remarks: HOWO WD615 D10 EGR			KD0228									
							Part No.	VG1540070005							
							CH part name	机油滤清器总成							
EN part name	Oil filter														
RU part name	Масляный фильтр														
Size:mm															
Weight:kg	1.5														
NO.	NO.8-15														
Remarks: HOWO D10			KD0230												
		<table border="1"> <tr> <td>Part No.</td> <td>VG1500070051</td> </tr> <tr> <td>CH part name</td> <td>机油滤清器座</td> </tr> <tr> <td>EN part name</td> <td>Euroll oil filter seat</td> </tr> <tr> <td>RU part name</td> <td>Головка фильтра масляного</td> </tr> <tr> <td>Size:mm</td> <td>103*101*88</td> </tr> </table>	Part No.	VG1500070051	CH part name	机油滤清器座	EN part name	Euroll oil filter seat	RU part name	Головка фильтра масляного	Size:mm	103*101*88		Part No.	VG6100070005
Part No.	VG1500070051														
CH part name	机油滤清器座														
EN part name	Euroll oil filter seat														
RU part name	Головка фильтра масляного														
Size:mm	103*101*88														
CH part name	机油滤芯														
EN part name	Euroll oil filter														
RU part name	Масляный фильтр Евро2														
Size:mm	210*96														

Email: ventas@sdpartsdelivery.com

Email: ventas@sdpartsdelivery.com

Website: <http://www.sdpartsdelivery.com>

	Weight:kg	0.94		Weight:kg	0.81
	NO.	NO.8-E8		NO.	NO.8-E9
Remarks: HOWO WD615 D10 E2			Remarks: HOWO WD615 E2 D10		
KD0231			KD0232		
	Part No.	VG1246070002		Part No.	VG1246070003
	CH part name	机油滤清器芯		CH part name	机油滤清器座
	EN part name	Euro oil filter		EN part name	Oil filter holder
	RU part name	Масляный фильтр		RU part name	маслоочиститель
	Size:mm	260*109		Size:mm	7*24
	NO.	1.24		Weight:kg	0.85
	NO.	NO.8-15		NO.	NO.8-E8
Remarks: HOWO D12			Remarks: HOWO D12		

KD0233			KD0234		
	Part No.	VG1246070001		Part No.	VG1246070012
	CH part name	机油滤清器总成		CH part name	机油冷却器
	EN part name	Oil filter		EN part name	Oil cooler core assy.
	RU part name	Масляный фильтр		RU part name	Теплообменник
	Size:mm	360*120*120		Size:mm	200*100*100
	Weight:kg	1.75		Weight:kg	3.12
	NO.	NO.8-15		NO.	NO.8-19
Remarks: HOWO D12			Remarks: HOWO D12 WD618		
KD0235			KD0236		
	Part No.	VG1500019336		Part No.	VG1500070050


Email: ventas@sdpartsdelivery.com

Email: ventas@sdpartsdelivery.com


Website: <http://www.sdpartsdelivery.com>


	CH part name	机油冷却器 (8 片)
	EN part name	Oil cooler core assy.
	RU part name	Теплообменник
	Size:mm	256*138*50
	Weight:kg	2.88
	NO.	NO.8-19

Remarks: HOWO WD615 E2-E3 D10 EGR VG1500010334

KD0237		
	Part No.	VG1246080097
	CH part name	喷油泵总成
	EN part name	Injection pump
	RU part name	ТНВД
	Size:mm	700*280*440
	Weight:kg	25
	NO.	NO.9-1

Remarks: HOWO D12.42.30 E2 VG1246080038


KD0239		
	Part No.	VG1560080022
	CH part name	喷油泵 336P
	EN part name	Injection pump
	RU part name	ТНВД

	CH part name	机油滤清器总成 EGR
	EN part name	Euro oil filter
	RU part name	Масляный фильтр
	Size:mm	360*120*120
	Weight:kg	1.75
	NO.	NO.8-E8-E9

Remarks: HOWO WD615 D10 EGR

KD0238		
	Part No.	VG1560080023
	CH part name	喷油泵 371P
	EN part name	Injection pump
	RU part name	ТНВД
	Size:mm	460*300*200
	Weight:kg	24.15
	NO.	NO.9-1

Remarks: HOWO WD615.47



KD0240		
	Part No.	VG1560080276-1
	CH part name	203 喷油嘴
	EN part name	Injection nozzle
	RU part name	Распылитель форсунки Евро2



Email: ventas@sdpartsdelivery.com

Email: ventas@sdpartsdelivery.com

Website: <http://www.sdpartsdelivery.com>

	Size:mm	460*300*200		Size:mm	60*25*25
	Weight:kg	24.15		Weight:kg	0.05
	NO.	NO.9-1		Price:usd	NO.9-1
Remarks: HOWO WD615.69			Remarks: HOWO WD615		

KD0241			KD0242		
	Part No.	X1700S		Part No.	VG1560080305-1
	CH part name	高压油泵柱塞		CH part name	204 喷油嘴
	EN part name	Plunger		EN part name	Injection nozzle
	RU part name	Плунжерная пара		RU part name	Распылитель форсунки Евро2
	Size:mm	113*70*30		Size:mm	60*25*25
	Weight:kg	0.3		Weight:kg	0.05
	Price:usd	NO.9-1		Price:usd	NO.9-1
Remarks: HOWO WD615			Remarks: HOWO WD615		





KD0243			KD0244		
	Part No.	614080719		Part No.	R61540080017A-1
	CH part name	输油泵		CH part name	965 喷油嘴
	EN part name	Hand oil pump		EN part name	Injection nozzle
	RU part name	Топливоподкачивающий насос		RU part name	Распылитель форсунки 965
	Size:mm	105*105*105		Size:mm	60*25*25
	Weight:kg	1.358		Weight:kg	0.05
	Price:usd	NO.9-1		Price:usd	NO.9-1
Remarks: HOWO WD615			Remarks: HOWO WD615 E3		


KD0242			KD0243		
	Part No.	VG1092080401		Part No.	VG1560080300
	CH part name	联轴器		CH part name	双缸空压机联轴器

Email: ventas@sdpartsdelivery.com

Email: ventas@sdpartsdelivery.com

Website: <http://www.sdpartsdelivery.com>

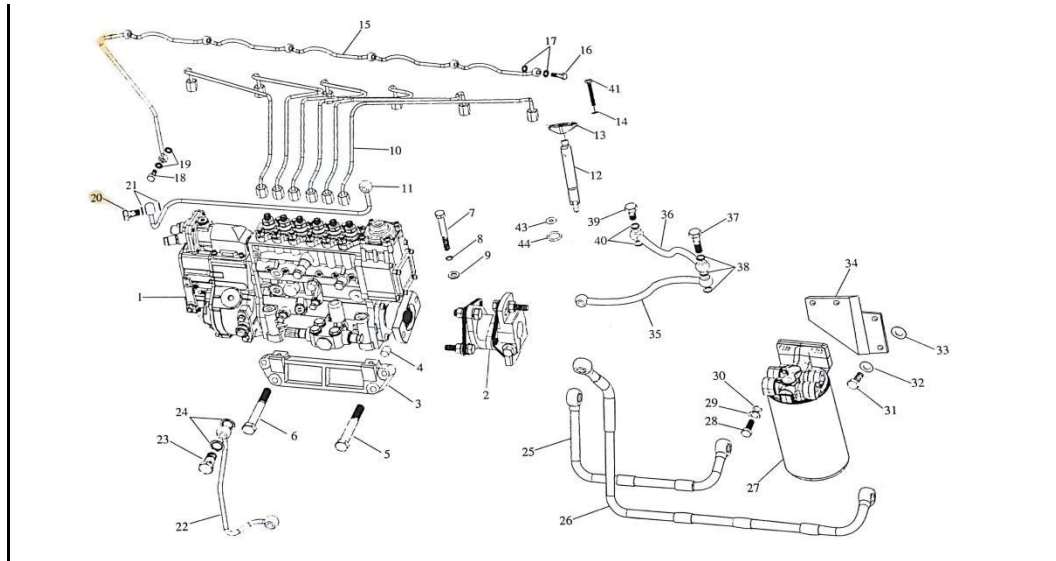
	EN part name	Coupling flange fitting		EN part name	Coupling flange fitting
	RU part name	Муфта компрессора двухцилиндровых		RU part name	Муфта компрессора двухцилиндровых
	Size:mm			Size:mm	110*124
	Weight:kg	2.3		Weight:kg	2.23
	NO.	NO.9-2		NO.	NO.9-2
Remarks: HOWO WD615 D10 EGR			Remarks: HOWO WD615 D10		
KD0246			KD0244		
	Part No.	VG1540080004B		Part No.	VG1560080277
	CH part name	欧 3 弹性连接片		CH part name	单缸联轴器
	EN part name	Flexible connection strap		EN part name	Coupling flange fitting
	RU part name	Пластина муфты Евро3		RU part name	Муфта компрессора
	Size:mm	110*110*5		Size:mm	210*124
	Weight:kg	0.16		Weight:kg	2.76
	NO.	NO.9-2		NO.	NO.9-2
Remarks: HOWO WD615 D10 EGR			Remarks: HOWO WD615 E2		

fuel system		NO.9	KD0245		
		Part No.	VG1560080219		
		CH part name	弹性连接片		
		EN part name	Flexible connection strap		
		RU part name	Пластина муфты		
		Size:mm	93*52*7.5		
		Weight:kg	0.15		
		NO.	NO.9-2		
Remarks: HOWO WD615 D10					
			KD0245		
				Part No.	VG1500019005

Email: ventas@sdpartsdelivery.com


Email: ventas@sdpartsdelivery.com

Website: <http://www.sdpartsdelivery.com>




CH part name	油泵托架
EN part name	Oil pump bracket
RU part name	Стойка насоса
Size:mm	
Weight:kg	1.68
NO.	NO.9-3


Remarks: HOWO WD615 D10 EGR


KD0246		
	Part No.	VG1246080043
	CH part name	油泵托架
	EN part name	Oil pump bracket
	RU part name	Стойка насоса
	Size:mm	
	Weight:kg	0.65
	NO.	NO.9-3

Remarks:HOWO A7 D12

KD0248		
	Part No.	VG14080074
	CH part name	波许喷油泵托架
	EN part name	Oil pump bracket
	RU part name	Стойка насоса
	Size:mm	
	Weight:kg	1.8
	NO.	NO.9-3

Remarks: HOWO WD615 E2 VG1500080174

KD0249		
	Part No.	VG1557080036
	CH part name	高压油管
	EN part name	Euro III injection pipe
	RU part name	Топливная трубка высокого давления

KD0250		
	Part No.	VG1246080002
	CH part name	高压油管
	EN part name	Euro III injection pipe
	RU part name	Топливная трубка высокого давления

Email: ventas@sdpartsdelivery.com

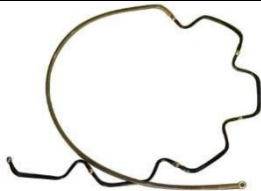

Email: ventas@sdpartsdelivery.com

Website: <http://www.sdpartsdelivery.com>


	Size:mm	1100*250*120		Size:mm	
	Weight:kg	2.1		Weight:kg	2.1
	NO.	NO.9-10		NO.	NO.9-10
Remarks: HOWO WD615 E3 EGR D10 VG1096080040			Remarks: HOWO D12		

KD0251			KD0252		
	Part No.	VG1560080278		Part No.	VG1246080093
	CH part name	高压油管		CH part name	喷油器回油管总成
	EN part name	Euro II injection pipe		EN part name	Oil return pipe assy.
	RU part name	Топливная трубка высокого давления		RU part name	Шланг обратки в сборе
	Size:mm	420*250*50		Size:mm	
	Weight:kg	1.15		Weight:kg	0.07
	NO.	NO.9-10		NO.	NO.9-15

Remarks: HOWO WD615 E2 Remarks: HOWO D12 E2

KD0253			KD0254		
	Part No.	VG1096080096		Part No.	VG1500080095
	CH part name	回油管总成		CH part name	回油管总成
	EN part name	Oil return pipe assy.		EN part name	Oil return pipe assy.
	RU part name	Шланг обратки в сборе		RU part name	Шланг обратки в сборе
	Size:mm			Size:mm	1800*6
	Weight:kg	0.075		Weight:kg	0.071
	NO.	NO.9-15		NO.	NO.9-15






Remarks: HOWO D10 EGR Remarks: HOWO WD615 E2 VG1099089066

KD0255			KD0256		
	Part No.	VG1560080276		Part No.	VG1095080085
	CH part name	喷油器		CH part name	喷油器

Email: ventas@sdpartsdelivery.com

Email: ventas@sdpartsdelivery.com







Website: <http://www.sdpartsdelivery.com>

	EN part name	Injector		EN part name	Injector
	RU part name	Форсунка Евро2		RU part name	Форсунка Евро2
	Size:mm	190*20		Size:mm	
	Weight:kg	0.373		Weight:kg	0.4
	NO.	NO.9-12		NO.	NO.9-12
Remarks: HOWO WD615 E2 D10			Remarks: HOWO WD615 EGR 两气门		
KD0257			KD0258		
	Part No.	VG1246080098		Part No.	VG1560070012
	CH part name	油泵机油进油管总成		CH part name	进油管总成
	EN part name	Oil intake pipe assy.		EN part name	Oil intake pipe assy.
	RU part name	Топливные шланги входного		RU part name	Топливные шланги входного
	Size:mm			Size:mm	600*13
	Weight:kg	0.156		Weight:kg	0.17
	NO.	NO.9-35		NO.	NO.9-36
Remarks: HOWO D12 VG1557070011 EGR			Remarks: HOWO WD615 E2 D10		
KD0259			KD0260		
	Part No.	VG1560070011		Part No.	VG1246080099
	CH part name	高压油泵进油管总成		CH part name	空气管
	EN part name	Oil intake pipe assy.		EN part name	Air pipe
	RU part name	Топливные шланги входного		RU part name	Воздушный труба
	Size:mm	420*13		Size:mm	
	Weight:kg	0.13		Weight:kg	0.11
	NO.	NO.9-35		NO.	NO.9-11
Remarks: HOWO WD615 E2 D10			Remarks: HOWO D12		
KD0261			KD0262		

Email: ventas@sdpartsdelivery.com

Email: ventas@sdpartsdelivery.com

Website: <http://www.sdpartsdelivery.com>

	Part No.	VG1560070050		Part No.	AZ1560080018
	CH part name	进油管		CH part name	燃油管
	EN part name	Oil intake pipe assy.		EN part name	Fuel pipe
	RU part name	Топливные шланги входного		RU part name	Топливопровод
	Size:mm	165		Size:mm	530*10
	Weight:kg	0.1		Weight:kg	0.058
	NO.	NO.9-36		NO.	NO.9-26
Remarks: HOWO WD615 EGR			Remarks :HOWO WD615 E2		
KD0263			KD0264		
	Part No.	AZ1560080017		Part No.	VG1092080018
	CH part name	燃油管		CH part name	燃油管
	EN part name	Fuel pipe		EN part name	Fuel pipe
	RU part name	Топливопровод		RU part name	Топливопровод
	Size:mm	420*10		Size:mm	380*120*20
	Weight:kg	0.055		Weight:kg	0.05
	NO.	NO.9-25		NO.	NO.9-26
Remarks: HOWO WD615 E2			Remarks: HOWO WD615 EGR		
KD0265			KD0266		
	Part No.	VG1092080017		Part No.	VG1560080011
	CH part name	燃油管		CH part name	燃油滤清器总成
	EN part name	Fuel pipe		EN part name	fuel filter assy.
	RU part name	Топливопровод		RU part name	Масловой фильтр в сборе
	Size:mm	420*200*20		Size:mm	
	Weight:kg	0.05		Weight:kg	1.71
	NO.	NO.9-25		NO.	NO.9-27
Remarks: HOWO WD615 EGR			Remarks: HOWO WD615 D10		

Email: ventas@sdpartsdelivery.com

Email: ventas@sdpartsdelivery.com



Website: <http://www.sdpartsdelivery.com>



KD0267				KD0268			
	Part No.	VG14080295A		Part No.	VG14080295A-Z		
	CH part name	欧 II 燃油滤清器总成		CH part name	燃油滤清器座		
	EN part name	Euroll fuel filter assy.		EN part name	Euroll fuel filter sea		
	RU part name	Масловой фильтр в сборе Евро2		RU part name	Сиденье топливного фильтра		
	Size:mm	195*225*125		Size:mm	225*125*50		
	Weight:kg	1.56		Weight:kg	0.45		
	NO.	NO.9-27		NO.	NO.9-27		
Remarks: HOWO WD615 E2			Remarks: HOWO WD615 E2				
KD0269				KD0270			
	Part No.	VG14080739A		Part No.	VG14080740A		
	CH part name	欧 II 燃油精滤		CH part name	欧 II 燃油粗滤		
	EN part name	Euroll secondary fuel filter		EN part name	Euroll primary filter		
	RU part name	Топливный фильтр тонкой очистки		RU part name	Топливный фильтр грубой очистки		
	Size:mm	200*90*90		Size:mm	200*90*90		
	Weight:kg	0.205		Weight:kg	0.167		
Price:usd	NO.9-27	NO.	NO.9-27				
Remarks: HOWO WD615 E2			Remarks: HOWO WD615 E2				
KD0271				KD0272			
	Part No.	VG1540080110		Part No.	VG1540080211		
	CH part name	燃油精滤		CH part name	燃油粗滤		
	EN part name	Secondary fuel filter		EN part name	Primary fuel filter		
	RU part name	Топливный фильтр тонкой очистки		RU part name	Топливный фильтр грубой очистки Евро2		
	Size:mm	250*96		Size:mm	360*120*120		
	Weight:kg	0.9		NO.	1.1		
	NO.	NO.9-27		Price:usd	NO.9-27		
Remarks: HOWO WD615 D10 D12			Remarks: HOWO WD615 D10 D12 E3				



Email: ventas@sdpartsdelivery.com

Email: ventas@sdpartsdelivery.com

Website: <http://www.sdpartsdelivery.com>

KD0273				KD0274			
	Part No.	VG1246080084			Part No.	VG1246080086	
	CH part name	燃油粗滤器			CH part name	燃油滤清器	
	EN part name	fuel filter assy.			EN part name	fuel filter assy.	
	RU part name	Масловой фильтр в сборе			RU part name	Масловой фильтр в сборе	
	Size:mm				Size:mm		
	Weight:kg	1.45			Weight:kg	1.5	
	NO.	NO.9-27			NO.	NO.9-27	
Remarks: HOWO WD615 D10 D12 E3				Remarks: HOWO WD615 D10 D12 E3			





KD0275				KD0276			
	Part No.	VG1540080132			Part No.	VG1246080075	
	CH part name	燃油滤清器总成			CH part name	燃油粗滤	
	EN part name	fuel filter assy.			EN part name	Primary fuel filter	
	RU part name	Масловой фильтр в сборе			RU part name	Топливный фильтр грубокой очистки	
	Size:mm				Size:mm		
	Weight:kg	1.8			Weight:kg	1.35	
	NO.	NO.10-3M			NO.	NO.10-3M	
Remarks: HOWO WD615 E3 D10 D12				Remarks: HOWO WD615 E3 D10 D12			

KD0277				KD0278			
	Part No.	VG1560080016			Part No.	VG1540080311	
	CH part name	燃油粗滤器总成			CH part name	燃油粗滤(PL420)	
	EN part name	Primary fuel filter assy.			EN part name	Primary fuel filter	
	RU part name	Топливный фильтр грубокой очистки			RU part name	Топливный фильтр грубокой очистки	
	Size:mm	360*120*120			Size:mm	320*110	
	Weight:kg	1.5			Weight:kg	1.2	
	Price:usd	NO.10-3M			NO.	NO.10-3M	

Email: ventas@sdpartsdelivery.com

Email: ventas@sdpartsdelivery.com

Website: <http://www.sdpartsdelivery.com>

Remarks: HOWO WD615 E3 D10 D12			Remarks: HOWO WD615 D10 D12		
KD0279			KD0280		
	Part No.	VG1540080211-Z		Part No.	VG1540080030
	CH part name	燃油粗滤器座		CH part name	燃油滤清器
	EN part name	Primary fuel filter seat		EN part name	fuel filter assy.
	RU part name	Сиденье топливного фильтра грубокой очистки		RU part name	Масловой фильтр в сборе
	Size:mm	130*130*120		Size:mm	
	Weight:kg	0.6		Weight:kg	1.32
	NO.	NO.10-2M		NO.	NO.10-1M
Remarks: HOWO WD615 E3 D10 D12			Remarks: HOWO WD615 E3 D10 D12		
KD0281			KD0282		
	Part No.	VG1540080311-ZD		Part No.	WG9725550002
	CH part name	滤清器座 (加热)		CH part name	燃油粗滤器总成
	EN part name	Filter seat		EN part name	Fuel preliminary filter assy.
	RU part name	Сиденье фильтра		RU part name	Топливный фильтр грубой очистки
	Size:mm	180*180*80		Size:mm	195*145*125
	Weight:kg	2.25		Weight:kg	1.57
	NO.	NO.10		NO.	NO.10
Remarks: HOWO E3 D12 D10			Remarks: HOWO		

KD0283			KD0284		
	Part No.	VG1540080110-Z		Part No.	VG1092080033
	CH part name	燃油精滤器座		CH part name	滤清器座
	EN part name	Primary fuel filter seat		EN part name	Filter seat
	RU part name	Сиденье топливного фильтра грубокой очистки		RU part name	Сиденье фильтра
	Size:mm	130*130*120		Size:mm	120*120*80
	Weight:kg	0.6		Weight:kg	0.5

Email: ventas@sdpartsdelivery.com

Email: ventas@sdpartsdelivery.com

Website: <http://www.sdpartsdelivery.com>

	NO.	NO.10-1M		NO.	NO.10-1M
Remarks: HOWO			Remarks:HOWO 0311		
KD0285			KD0286		
	Part No.	VG1560080013		Part No.	VG1092080036
	CH part name	0012 滤清器座		CH part name	滤清器座
	EN part name	Filter seat		EN part name	Filter seat
	RU part name	Сиденье фильтра		RU part name	Сиденье фильтра
	Size:mm	100*100*60		Size:mm	170*120*100
	Weight:kg	0.4		Weight:kg	0.8
	NO.	NO.10-1M		NO.	NO.10-2M
Remarks: HOWO			Remarks: HOWO 0310		
KD0287			KD0288		
	Part No.	VG1540070006		Part No.	VG1540080310
	CH part name	机油滤清器座		CH part name	燃油精滤芯
	EN part name	EuroIII oil filter seat		EN part name	Secondary fuel filter
	RU part name	Головка фильтра масляного Евро3		RU part name	Топливный фильтр тонкой очистки
	Size:mm	198*116*98.7		Size:mm	139*96
	Weight:kg	0.64		Weight:kg	0.55
	NO.	NO.10-1M		NO.	NO.10-1M
Remarks: HOWO E3			Remarks: HOWO WD615 E3		
KD0289			KD0290		
	Part No.	R61540080101		Part No.	VG1246080050
	CH part name	燃料泵		CH part name	供油泵总成
	EN part name	Euro III injection pump		EN part name	Injection pump
	RU part name	Топливный насос Евро3		RU part name	ТНВД
	Size:mm	300*280*150		Size:mm	300*280*150
	Weight:kg	12.25		Weight:kg	12.25

Email: ventas@sdpartsdelivery.com

Email: ventas@sdpartsdelivery.com

Website: <http://www.sdpartsdelivery.com>

	NO.	NO.10-15		NO.	NO.10-15
Remarks: HOWO D10 WD615 E3			Remarks: HOWO A7 D12 E3		

fuel system		NO.10		KD0291			
						Part No.	VG1246080036
						CH part name	喷油器
				EN part name	Injector		
				RU part name	Форсунка		
				Size:mm	200*70*35		
				Weight:kg	0.45		
				NO.	NO.10-24		
Remarks: HOWO D12				KD0292			
						Part No.	R61540080017A
						CH part name	喷油器总成
				EN part name	Euro III injector assy.		
				RU part name	Форсунка Евро3		
				Size:mm	220*82*36		
				Weight:kg	0.63		
				NO.	NO.10-24		
Remarks: HOWO WD615 E3 D10				KD0293			
						Part No.	VG1540080065B
						CH part name	共轨喷油器回油短管
						EN part name	Oil return pipe
						RU part name	Обратно-топливная трубка
						Size:mm	74*18*18
						Weight:kg	0.03
Remarks: HOWO WD615 E3 D10				KD0294			
						Part No.	VG10990890065
						CH part name	喷油器回油短管
						EN part name	Oil return pipe
						RU part name	Обратно-топливная трубка
						Size:mm	80*45*18
						Weight:kg	0.04

Email: ventas@sdpartsdelivery.com

Email: ventas@sdpartsdelivery.com

Website: <http://www.sdpartsdelivery.com>





	Price:usd	NO.10-71		NO.	NO.10-71
Remarks: HOWO WD615 E3 D10			Remarks: HOWO D12		
KD0295			KD0296		
	Part No.	VG1246080008		Part No.	R61540080016
	CH part name	喷油器回油管总成		CH part name	共轨组件
	EN part name	Oil return pipe assy.		EN part name	Euro III common rail components
	RU part name	Шланг обратки в сборе		RU part name	Агрегаты Евро3
	Size:mm			Size:mm	355*98*65
	Weight:kg	0.07		Weight:kg	3.28
	NO.	NO.10-74		NO.	NO.10-21
Remarks: HOWO D12 E3			Remarks: HOWO WD615 E3 D10 D12		


KD0297			KD0298		
	Part No.	VG1560080012		Part No.	VG1092080034
	CH part name	燃油精滤芯		CH part name	滤清器水杯
	EN part name	Secondary fuel filter		EN part name	Filter water tank
	RU part name	Топливный фильтр тонкой очистки		RU part name	Стакан фильтра
	Size:mm	205*96		Size:mm	110*110*130
	Weight:kg	0.78		Weight:kg	0.2
	NO.	NO.10-1M		NO.	NO.10-3M
Remarks: HOWO D10 E3			Remarks: HOWO		
KD0299			KD0300		
	Part No.	VG1540089093/94		Part No.	VG1540080040
	CH part name	共轨高压油管组件		CH part name	共轨高压油管
	EN part name	Euro III injection pipe components		EN part name	Euro III common rail injection pipe
	RU part name	Топливная трубка высокого давления Евро3		RU part name	Топливная трубка высокого давления Евро3
	Size:mm	280*80*30		Size:mm	320*120*100

Email: ventas@sdpartsdelivery.com

Email: ventas@sdpartsdelivery.com

Website: <http://www.sdpartsdelivery.com>

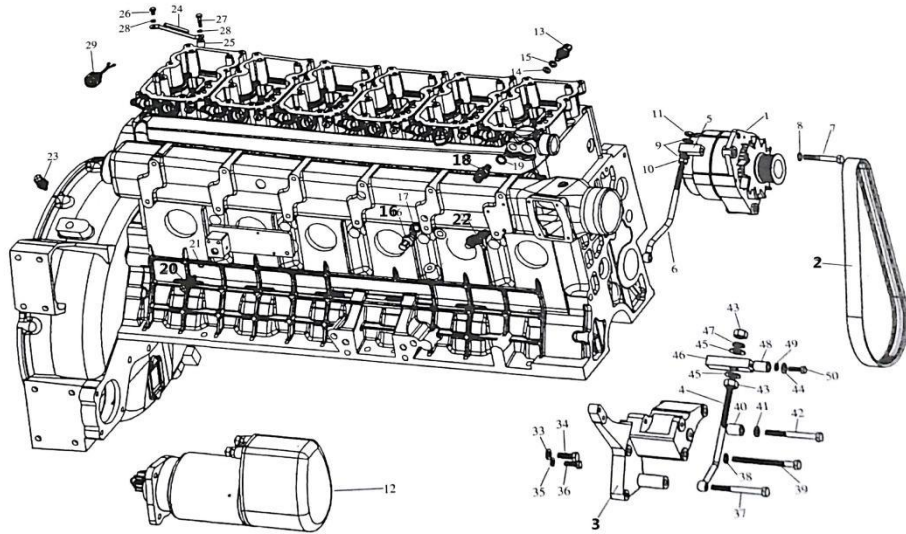
	Weight:kg	0.5		Weight:kg	1.98
	NO.	NO.10-41		NO.	NO.10-60
Remarks: HOWO WD615 E3 D10			Remarks: HOWO D12 E3		
KD0301			KD0302		
	Part No.	VG1500098058		Part No.	VG1246090005
	CH part name	1000W 两槽发电机		CH part name	发电机 28v 80A
	EN part name	1KW Alternator		EN part name	Alternator
	RU part name	Генератор 1000W		RU part name	Генератор
	Size:mm	175*185*155		Size:mm	180*185*155
	Weight:kg	6.1		Weight:kg	6
	NO.	NO.11-1		NO.	NO.11-1
Remarks: HOWO WD615 E2			Remarks: HOWO D12 E3		
KD0303			KD0304		
	Part No.	VG1500090019		Part No.	VG1560090012
	CH part name	1540W 两槽发电机		CH part name	1540W 多楔带发电机
	EN part name	1540W Alternator(two slots)		EN part name	1540W Alternator (multi wedge)
	RU part name	Генератор 1540W		RU part name	Генератор клинчатый 1540W
	Size:mm	175*185*155		Size:mm	180*175*147
	Weight:kg	6.1		Weight:kg	6.3
	NO.	NO.11-1		NO.	NO.11-1
Remarks: HOWO D12 E2 VG1560090010			Remarks: HOWO WD615 E3 D10 VG15600900 1		

the part of electrical equipment	NO.11	KD0305		
			Part No.	VG2600090210
			CH part name	10 齿直驱起动机
			EN part name	DD starter (10 teeth)
			RU part name	Стартер10зубьев
			Size:mm	430*180*120

Email: ventas@sdpartsdelivery.com

Email: ventas@sdpartsdelivery.com

Website: <http://www.sdpartsdelivery.com>



Weight:kg	18.53
Price:usd	NO.11-12

Remarks: HOWO WD615 E2

KD0306



Part No.	615000900029
CH part name	11 齿直驱起动机
EN part name	DD starter (11 teeth)
RU part name	Стартер 11зубьев
Size:mm	430*180*120
Weight:kg	18.53
NO.	NO.11-12

Remarks: HOWO WD615 E2

KD0307		
--------	--	--

KD0308		
--------	--	--



Part No.	VG1560090001
CH part name	ISKL10 齿减速起动机
EN part name	ISKL Geared down starter(10 teeth)
RU part name	Стартер замедления 10зубьев ISKL
Size:mm	450*210*185
Weight:kg	14.5
NO.	NO.11-12



Part No.	VG1246090003
CH part name	起动机
EN part name	Geared down starter
RU part name	Стартер замедления 10зубьев
Size:mm	480*210*185
Weight:kg	14.5
NO.	NO.11-12

Remarks: HOWO WD615 E3 D10 D12 E3

Remarks: HOWO A7 D12 E3

KD0309		
--------	--	--

KD0310		
--------	--	--



Part No.	VG1560090001-DCF
CH part name	ISKL 起动机电磁阀
EN part name	ISKL Starter solenoid valve
RU part name	Клапан стартера ISKL
Size:mm	180*60*60





Part No.	VG1560090007
CH part name	起动机
EN part name	Geared down starter
RU part name	Стартер замедления 10зубьев
Size:mm	450*210*185

Email: ventas@sdpartsdelivery.com

Email: ventas@sdpartsdelivery.com

Website: <http://www.sdpartsdelivery.com>

	Weight:kg	1.8		Weight:kg	9.5
	NO.	NO.11-12		NO.	NO.11-12
Remarks: HOWO D10			Remarks: HOWO WD615 E3 D10		

KD0311			KD0312		
	Part No.	612600090293-DCF		Part No.	612600090293
	CH part name	BOSCH 起动机电磁阀		CH part name	BOSCH11 齿减速起动
	EN part name	BOSCH Solenoid valve		EN part name	BOSCH Geared down starter (11 teeth)
	RU part name	Клапан стартера BOSCH		RU part name	Стартер замедления 11зубьев BOSCH
	Size:mm	200*60*60		Size:mm	480*210*185
	Weight:kg	1.85		Weight:kg	14.5
	NO.	NO.11-12		NO.	NO.11-12

Remarks: HOWO A7 D12

KD0313			KD0314		
	Part No.	VG1092090311		Part No.	VG1500090051
	CH part name	电子式机油压力传感器		CH part name	欧 II 机油压力传感器
	EN part name	EuroIII oil pressure sensor		EN part name	EuroII oil pressure sensor
	RU part name	Датчик давления масла Евро3		RU part name	Датчик давления масла
	Size:mm	60*24.3		Size:mm	76*45
	Weight:kg	0.01		Weight:kg	0.13
	NO.	NO.11-13		NO.	NO.11-13

Remarks: HOWO D12 D10 E3 EGR

KD0315			KD0316		
	Part No.	VG14090067		Part No.	VG1500090060
	CH part name	欧 II 水温传感器		CH part name	机电式压力传感器
	EN part name	EuroII water temperature sensor		EN part name	EuroII oil pressure sensor
	RU part name	Датчик температуры воды		RU part name	Датчик давления масла
	Size:mm	78*19		Size:mm	83*50

Email: ventas@sdpartsdelivery.com

Email: ventas@sdpartsdelivery.com

Website: <http://www.sdpartsdelivery.com>




	Weight:kg	0.04		Weight:kg	0.07
	NO.	NO.11-18		NO.	NO.11-13
Remarks: HOWO WD615 E2			Remarks: HOWO D10 D12 E2		
KD0317			KD0318		
	Part No.	R61540090004		Part No.	VG1500090061
	CH part name	水温度传感器		CH part name	水温传感器 08 款
	EN part name	EuroIII water temperature sensor		EN part name	EuroIII water temperature sensor
	RU part name	Датчик температуры воды Евро3		RU part name	Датчик температуры воды
	Size:mm	56*21.5		Size:mm	38*12
	Weight:kg	0.01		Weight:kg	0.01
	NO.	NO.11-18		NO.	NO.11-18
Remarks: HOWO A7 D12 D10			Remarks: HOWO D12 E2		

KD0319			KD0320		
	Part No.	R61540090005		Part No.	R61540090007
	CH part name	柴油温度传感器		CH part name	进气压力传感器
	EN part name	EuroIII fuel temperature sensor		EN part name	EuroIII intake air pressure sensor
	RU part name	Датчик температуры дизели Евро3		RU part name	Датчик давления входного воздуха
	Size:mm	49*21.9		Size:mm	55.5*32.7*32.4
	Weight:kg	0.01		Weight:kg	0.01
	NO.	NO.11-20		Price:usd	NO.11-22
Remarks: HOWO WD615.93 D10			Remarks: HOWO D10 D12		
KD0321			KD0322		
	Part No.	R61540090008		Part No.	R61540090003
	CH part name	曲轴转速传感器		CH part name	进气温度传感器
	EN part name	EuroIII crankshaft revolution sensor		EN part name	EuroIII intake air temperature sensor
	RU part name	Датчик скоростей карданного вала Евро3		RU part name	Датчик температуры входного воздуха
	Size:mm	58.4*33.8*14.2		Size:mm	55.1*24.7

Email: ventas@sdpartsdelivery.com

Email: ventas@sdpartsdelivery.com

Website: <http://www.sdpartsdelivery.com>

	Weight:kg	0.01		Weight:kg	0.01
	NO.	NO.11-23		Price:usd	NO.11-16
Remarks: HOWO WD615.93 D10 D12			Remarks: HOWO D10		
KD0323			KD0324		
	Part No.	VG1540090035		Part No.	VG1557090013
	CH part name	机油压力传感		CH part name	曲轴位置传感器
	EN part name	EurolIII oil pressure sensor		EN part name	Crankshaft position sensor
	RU part name	Датчик давления масла Евро3		RU part name	Датчик позиции коленчатого вала
	Size:mm	60*24.3		Size:mm	53.2*45.2*23.5
	Weight:kg	0.01		Weight:kg	0.01
	NO.	NO.11-13		NO.	NO.11-23
Remarks: HOWO WD615.93 E3			Remarks: HOWO WD615 E3 EGR		
KD0325			KD0326		
	Part No.	VG1500090026		Part No.	VG1500090018
	CH part name	发电机拉紧螺栓		CH part name	发电机拉紧螺栓
	EN part name	Screw		EN part name	Screw
	RU part name	генератор болт		RU part name	генератор болт
	Size:mm			Size:mm	210*10*10
	Weight:kg	0.23		Weight:kg	0.23
	NO.	NO.11-4		NO.	NO.11-6
Remarks: HOWO WD615 EGR D10			Remarks: HOWO WD615 D10		
KD0327			KD0328		
	Part No.	VG1500090027		Part No.	VG1500090039
	CH part name	拉紧块		CH part name	发电机拉紧螺栓
	EN part name	натяжной блок		EN part name	Screw
	RU part name	Tension block		RU part name	генератор болт

Email: ventas@sdpartsdelivery.com

Email: ventas@sdpartsdelivery.com

Website: <http://www.sdpartsdelivery.com>

	Size:mm			Size:mm	150*10*10
	Weight:kg	0.045		Weight:kg	0.3
	NO.	NO.11-5		NO.	NO.11-6
Remarks: HOWO D10 WD615 E3			Remarks: HOWO WD615 EGR		
KD0329			KD0330		
	Part No.	61500090011		Part No.	VG1246090008
	CH part name	拉紧块		CH part name	发电机支架
	EN part name	натяжной блок		EN part name	Generator support
	RU part name	Tension block		RU part name	генератор кронштейн
	Size:mm			Size:mm	
	Weight:kg	0.1		Weight:kg	1.21
	NO.	NO.11-5		NO.	NO.11-3
Remarks: HOWO WD615 E2			Remarks: HOWO D12		
KD0331			KD0332		
	Part No.	VG1500090066		Part No.	VG1500130018
	CH part name	发电机多楔带		CH part name	发电机支架
	EN part name	Multi wedge belt		EN part name	Generator support
	RU part name	Ремень клинчатый		RU part name	генератор кронштейн
	Size:mm	783*30*5		Size:mm	
	Weight:kg	0.1		Weight:kg	1.1
	NO.	NO.11-2		NO.	NO.11-3
Remarks: HOWO D10 6PK-783			Remarks: HOWO D10		
KD0333			KD0334		
	Part No.	VG1540110043		Part No.	VG1557110007
	CH part name	进气管		CH part name	进气管
	EN part name	Intake manifold assy.		EN part name	Intake manifold assy.

Email: ventas@sdpartsdelivery.com

Email: ventas@sdpartsdelivery.com

Website: <http://www.sdpartsdelivery.com>

	RU part name	Коллектор впускной
	Size:mm	
	Weight:kg	8
	NO.	NO.12-1
Remarks: HOWO D10 WD615 VG1540110036		



	RU part name	Коллектор впускной
	Size:mm	
	Weight:kg	7.7
	Price:usd	NO.12-1
Remarks: HOWO WD615 EGR VG1557110013		

Inlet and exhaust	NO.12

KD0335		
	Part No.	VG1246110002
	CH part name	进气管
	EN part name	Intake manifold assy.
	RU part name	Коллектор впускной
	Size:mm	960*130*210
	Weight:kg	7.7
	Price:usd	NO.12-1
Remarks: HOWO D12 VG1246110001		

KD0336		
	Part No.	VG2600110810
	CH part name	进气管
	EN part name	Intake manifold assy.
	RU part name	Коллектор впускной
	Size:mm	1000*230*150
	Weight:kg	8
	Price:usd	NO.12-1
Remarks: HOWO		

KD0337		
	Part No.	VG2600111290
	CH part name	前排气歧管

KD0338		
	Part No.	VG2601100855
	CH part name	后排气歧管

Email: ventas@sdpartsdelivery.com

Email: ventas@sdpartsdelivery.com







Website: <http://www.sdpartsdelivery.com>

	EN part name RU part name Size:mm Weight:kg Price:usd	Front exhaust manifold Выпускной коллектор 455*160*170 7.75 NO.12-12		EN part name RU part name Size:mm Weight:kg Price:usd	Rear exhaust manifold Выпускной коллектор 480*160*215 14.11 NO.12-13
Remarks: HOWO WD615.92.93.95			Remarks: HOWO A7 WD615.95		
KD0339			KD0340		
	Part No. CH part name EN part name RU part name Size:mm Weight:kg Price:usd	VG1557110011 前排气歧管 Front exhaust manifold Выпускной коллектор 7.75 NO.12-12		Part No. CH part name EN part name RU part name Size:mm Weight:kg Price:usd	VG1557110012 后排气歧管 Rear exhaust manifold Выпускной коллектор 480*160*215 14.11 NO.12-13
Remarks: HOWO WD615 EGR			Remarks: HOWO WD615 EGR		
KD0341			KD0342		
	Part No. CH part name EN part name RU part name Size:mm Weight:kg Price:usd	VG1540110003 前排气歧管 Front exhaust manifold Выпускной коллектор 450*180*150 11 NO.12-12		Part No. CH part name EN part name RU part name Size:mm Weight:kg Price:usd	VG1540110004A 后排气歧管 Rear exhaust manifold Выпускной коллектор 450*160*180 14.11 NO.12-13
Remarks: HOWO WD615.96			Remarks: HOWO WD615.96		
KD0343			KD0344		
	Part No.	VG2600111137		Part No.	VG2600111136

Email: ventas@sdpartsdelivery.com

Email: ventas@sdpartsdelivery.com

Website: <http://www.sdpartsdelivery.com>

	<table border="1"> <tr><td>CH part name</td><td>前排气歧管</td></tr> <tr><td>EN part name</td><td>Front exhaust manifold</td></tr> <tr><td>RU part name</td><td>Выпускной коллектор</td></tr> <tr><td>Size:mm</td><td>445*170*160</td></tr> <tr><td>Weight:kg</td><td>10</td></tr> <tr><td>Price:usd</td><td>NO.12-12</td></tr> </table>	CH part name	前排气歧管	EN part name	Front exhaust manifold	RU part name	Выпускной коллектор	Size:mm	445*170*160	Weight:kg	10	Price:usd	NO.12-12		<table border="1"> <tr><td>CH part name</td><td>后排气歧管</td></tr> <tr><td>EN part name</td><td>Rear exhaust manifold</td></tr> <tr><td>RU part name</td><td>Выпускной коллектор</td></tr> <tr><td>Size:mm</td><td>480*220*150</td></tr> <tr><td>Weight:kg</td><td>14.5</td></tr> <tr><td>Price:usd</td><td>NO.12-13</td></tr> </table>	CH part name	后排气歧管	EN part name	Rear exhaust manifold	RU part name	Выпускной коллектор	Size:mm	480*220*150	Weight:kg	14.5	Price:usd	NO.12-13				
CH part name	前排气歧管																														
EN part name	Front exhaust manifold																														
RU part name	Выпускной коллектор																														
Size:mm	445*170*160																														
Weight:kg	10																														
Price:usd	NO.12-12																														
CH part name	后排气歧管																														
EN part name	Rear exhaust manifold																														
RU part name	Выпускной коллектор																														
Size:mm	480*220*150																														
Weight:kg	14.5																														
Price:usd	NO.12-13																														
Remarks: HOWO WD615.93.95.96		Remarks: HOWO WD615.95																													
KD0345		KD0346																													
	<table border="1"> <tr><td>Part No.</td><td>VG260110162</td></tr> <tr><td>CH part name</td><td>排气管密封环</td></tr> <tr><td>EN part name</td><td>Exhaust pipe seal ring</td></tr> <tr><td>RU part name</td><td>Кольцо коллектора</td></tr> <tr><td>Size:mm</td><td>56*50*2</td></tr> <tr><td>Weight:kg</td><td>0.01</td></tr> <tr><td>Price:usd</td><td>NO.12-14</td></tr> </table>	Part No.	VG260110162	CH part name	排气管密封环	EN part name	Exhaust pipe seal ring	RU part name	Кольцо коллектора	Size:mm	56*50*2	Weight:kg	0.01	Price:usd	NO.12-14		<table border="1"> <tr><td>Part No.</td><td>VG1246110027</td></tr> <tr><td>CH part name</td><td>排气管密封环</td></tr> <tr><td>EN part name</td><td>Exhaust pipe seal ring</td></tr> <tr><td>RU part name</td><td>Кольцо коллектора</td></tr> <tr><td>Size:mm</td><td></td></tr> <tr><td>Weight:kg</td><td>0.01</td></tr> <tr><td>NO.</td><td>NO.12-14</td></tr> </table>	Part No.	VG1246110027	CH part name	排气管密封环	EN part name	Exhaust pipe seal ring	RU part name	Кольцо коллектора	Size:mm		Weight:kg	0.01	NO.	NO.12-14
Part No.	VG260110162																														
CH part name	排气管密封环																														
EN part name	Exhaust pipe seal ring																														
RU part name	Кольцо коллектора																														
Size:mm	56*50*2																														
Weight:kg	0.01																														
Price:usd	NO.12-14																														
Part No.	VG1246110027																														
CH part name	排气管密封环																														
EN part name	Exhaust pipe seal ring																														
RU part name	Кольцо коллектора																														
Size:mm																															
Weight:kg	0.01																														
NO.	NO.12-14																														
Remarks: HOWO WD615 E2		Remarks: HOWO D12																													
KD0347		KD0348																													
	<table border="1"> <tr><td>Part No.</td><td>VG1540110005</td></tr> <tr><td>CH part name</td><td>排气管密封环</td></tr> <tr><td>EN part name</td><td>Exhaust pipe seal ring</td></tr> <tr><td>RU part name</td><td>Кольцо коллектора</td></tr> <tr><td>Size:mm</td><td></td></tr> <tr><td>Weight:kg</td><td>0.01</td></tr> <tr><td>NO.</td><td>NO.12-14</td></tr> </table>	Part No.	VG1540110005	CH part name	排气管密封环	EN part name	Exhaust pipe seal ring	RU part name	Кольцо коллектора	Size:mm		Weight:kg	0.01	NO.	NO.12-14		<table border="1"> <tr><td>Part No.</td><td>VG1034110051</td></tr> <tr><td>CH part name</td><td>增压器</td></tr> <tr><td>EN part name</td><td>Turbocharger</td></tr> <tr><td>RU part name</td><td>Турбокомпрессор</td></tr> <tr><td>Size:mm</td><td>220*240*260</td></tr> <tr><td>Weight:kg</td><td>15</td></tr> <tr><td>NO.</td><td>NO.12-26</td></tr> </table>	Part No.	VG1034110051	CH part name	增压器	EN part name	Turbocharger	RU part name	Турбокомпрессор	Size:mm	220*240*260	Weight:kg	15	NO.	NO.12-26
Part No.	VG1540110005																														
CH part name	排气管密封环																														
EN part name	Exhaust pipe seal ring																														
RU part name	Кольцо коллектора																														
Size:mm																															
Weight:kg	0.01																														
NO.	NO.12-14																														
Part No.	VG1034110051																														
CH part name	增压器																														
EN part name	Turbocharger																														
RU part name	Турбокомпрессор																														
Size:mm	220*240*260																														
Weight:kg	15																														
NO.	NO.12-26																														
Remarks: HOWO D10		Remarks: HOWO D10																													
KD0349		KD0350																													

Email: ventas@sdpartsdelivery.com

Email: ventas@sdpartsdelivery.com



Website: <http://www.sdpartsdelivery.com>





	Part No.	VG1246110021		Part No.	VG1540110066
	CH part name	增压器		CH part name	增压器
	EN part name	Turbocharger		EN part name	Turbocharger
	RU part name	Турбокомпрессор		RU part name	Турбокомпрессор
	Size:mm	290*350*370		Size:mm	220*220*245
	Weight:kg	15.5		Weight:kg	19.26
	NO.	NO.12-26		NO.	NO.12-26
Remarks: HOWO D12 E2-3			Remarks: HOWO WD615.96		
KD0351			KD0352		
	Part No.	VG1540110006		Part No.	VG2600118899
	CH part name	增压器		CH part name	废气涡轮增压器
	EN part name	EuroIII turbocharger		EN part name	Turbocharger
	RU part name	Турбокомпрессор Евро3		RU part name	Турбокомпрессор
	Size:mm	300*180*180		Size:mm	250*270*225
	Weight:kg	15.97		Weight:kg	15.04
	NO.	NO.12-26		NO.	NO.12-26
Remarks: HOWO WD615 E3			Remarks: HOWO WD615.87		
KD0353			KD0354		
	Part No.	VG1560118227		Part No.	VG1560118228
	CH part name	废气涡轮增压器		CH part name	废气涡轮增压器
	EN part name	Turbocharger		EN part name	Turbocharger
	RU part name	Турбокомпрессор		RU part name	Турбокомпрессор
	Size:mm	290*290		Size:mm	330*270*320
	Weight:kg	16		Weight:kg	15.7
	NO.	NO.12-26		NO.	NO.12-26
Remarks: HOWO WD615 E2			Remarks: HOWO WD615.69		
KD0355			KD0356		
	Part No.	VG2600118898		Part No.	VG1500119036D

Email: ventas@sdpartsdelivery.com

Email: ventas@sdpartsdelivery.com

Website: <http://www.sdpartsdelivery.com>







	CH part name	290 马力涡轮增压器		CH part name	420 马力增压器
	EN part name	Turbocharger 290H.P		EN part name	Turbocharger 420H.P
	RU part name	Турбокомпрессор 290 л.с		RU part name	Турбокомпрессор 420 л.с
	Size:mm	280*270*270		Size:mm	300*290*280
	Weight:kg	16.5		Weight:kg	17.5
	NO.	NO.12-26		NO.	NO.12-26
Remarks: HOWO WD615.87			Remarks: HOWO HX50 WD615		

KD0357			KD0358		
	Part No.	VG1095110143		Part No.	VG1500119215
	CH part name	各种增压器进油管		CH part name	增压器卡箍
	EN part name	Turbocharger oil intake pipe		EN part name	Turbocharger hoop
	RU part name	Трубки турбокомпрессора		RU part name	Хомут турбокомпрессора
	Size:mm			Size:mm	110*110*20
	Weight:kg	0.21		Weight:kg	0.1
NO.	NO.12-28		NO.	NO.12-49	
Remarks: HOWO VG1560070011 VG1560070005 VG1560070002			Remarks: HOWO WD615.62/87		
KD0359			KD0360		
	Part No.	VG1500119216		Part No.	VG1246110028
	CH part name	增压器卡箍		CH part name	排气管垫片
	EN part name	Turbocharger hoop		EN part name	Air exhaust pipe gasket
	RU part name	Хомут турбокомпрессора		RU part name	Прокладка трубки выпускной
	Size:mm	130*130*20		Size:mm	
	Weight:kg	0.13		Weight:kg	0.016
NO.	NO.12-49		Price:usd	NO.12-15	
Remarks: HOWO WD615.69/47			Remarks: HOWO D12		
KD0361			KD0362		

Email: ventas@sdpartsdelivery.com

Email: ventas@sdpartsdelivery.com

Website: <http://www.sdpartsdelivery.com>

	Part No.	VG1560110111		Part No.	VG1246110006
	CH part name	排气管垫片		CH part name	进气管垫片
	EN part name	Air exhaust pipe gasket		EN part name	Air inlet gasket
	RU part name	Прокладка трубки выпускной		RU part name	Прокладка воздухозаборника
	Size:mm	105*75*1		Size:mm	
	Weight:kg	0.017		Weight:kg	0.014
	NO.	NO.12-15		NO.	NO.12-7
Remarks: HOWO WD615 D10			Remarks:HOWO D12		
KD0363			KD0364		
	Part No.	VG1500110024		Part No.	VG1540110017
	CH part name	进气管垫片		CH part name	涡轮增压器垫片
	EN part name	Air inlet gasket		EN part name	Turbocharger gasket
	RU part name	Прокладка воздухозаборника		RU part name	Прокладка Турбокомпрессора
	Size:mm	106*78*1		Size:mm	135*92*1
	Weight:kg	0.015		Weight:kg	0.055
	NO.	NO.12-7		NO.	NO.12-27
Remarks: HOWO WD615 D10			Remarks: HOWO WD615 D10 D12		
KD0365			KD0366		
	Part No.	VG1800110045		Part No.	VG9112540015
	CH part name	增压器链接弯管		CH part name	涡轮增压器垫片
	EN part name	Link elbow		EN part name	Turbocharger gasket
	RU part name	локоть открытый		RU part name	Прокладка Турбокомпрессора
	Size:mm	300*20		Size:mm	135*41*1
	Weight:kg	0.4		Weight:kg	0.053
	NO.	NO.12		NO.	NO.12
Remarks: HOWO WD615 D10			Remarks: HOWO WD615 D10		

Email: ventas@sdpartsdelivery.com

Email: ventas@sdpartsdelivery.com

Website: <http://www.sdpartsdelivery.com>

KD0367				KD0368			
	Part No.	VG1560130070			Part No.	VG1099130010	
	CH part name	空压机			CH part name	空压机	
	EN part name	Air compressor			EN part name	Air compressor	
	RU part name	Компрессор			RU part name	Компрессор	
	Size:mm	290*215*265			Size:mm		
	Weight:kg	17.16			Weight:kg	20.2	
	NO.	NO.13-1			NO.	NO.13-1	
Remarks: HOWO WD615 AZI560130070				Remarks: HOWO D10			
KD0369				KD0370			
	Part No.	VG1246130006			Part No.	VG1246130008	
	CH part name	空压机进油管			CH part name	空压机	
	EN part name	Air compressor oil intake pipe			EN part name	Air compressor	
	RU part name	Маслопровод компрессора			RU part name	Компрессор	
	Size:mm	400*30*20			Size:mm	350*310*180	
	Weight:kg	0.2			Weight:kg	20.2	
	NO.	NO.13-18			NO.	NO.13-1	
Remarks: HOWO D12 E3				Remarks: HOWO D12			
KD0371				KD0372			
	Part No.	VG1246130003			Part No.	VG1246130020	
	CH part name	空压机进水管			CH part name	空压机出水管总成	
	EN part name	Air compressor oil intake pipe			EN part name	Air compressor outlet pipe	
	RU part name	Маслопровод компрессора			RU part name	Выдыхай из шланга	
	Size:mm				Size:mm		
	Weight:kg	0.26			Weight:kg	0.26	
	NO.	NO.13-12			NO.	NO.13-13	
Remarks:HOWO D12 E3				Remarks:HOWO D12 E3			

Email: ventas@sdpartsdelivery.com

Email: ventas@sdpartsdelivery.com



Website: <http://www.sdpartsdelivery.com>

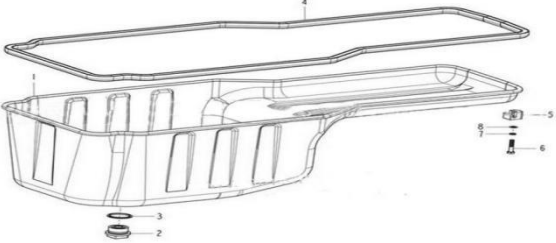



Air compressor		NO.13		KD0373		
					Part No.	VG1092060010
					CH part name	空压机进水管
					EN part name	Air compressor oil intake pipe
					RU part name	Маслопровод компрессора
					Size:mm	
					Weight:kg	0.12
					NO.	NO.13-12
Remarks: HOWO WD615 D10				KD0374		
					Part No.	VG1560060019
					CH part name	空压机出水管
					EN part name	Air compressor outlet pipe
					RU part name	Выдыхай из шланга
					Size:mm	
					Weight:kg	0.14
					NO.	NO.13-13
Remarks: HOWO WD615 D10				KD0375		
	Part No.	VG1246130009	KD0376			
	CH part name	空压机齿轮		Part No.	612600130122	
	EN part name	Air compressor gear		CH part name	空压机传动轴	
	RU part name	Шестерня компрессора		EN part name	Transmission shaft	
	Size:mm	70*70*45		RU part name	передаточный вал	
	Weight:kg	0.8		Size:mm		
	NO.	NO.13-23		Weight:kg	0.95	
				NO.	NO.13-11	

Email: ventas@sdpartsdelivery.com

Email: ventas@sdpartsdelivery.com

Website: <http://www.sdpartsdelivery.com>

Remarks: HOWO			Remarks: HOWO WD615		
KD0377			KD0378		
	Part No.	VG1560130064		Part No.	VG1560130070XLB
	CH part name	喷油泵齿轮		CH part name	空压机修理包
	EN part name	fuel injection pump gear		EN part name	Air compressor repair kit
	RU part name	ТОПЛИВНОГО НАСОСА ЛОВА		RU part name	ремонт пакет
	Size:mm			Size:mm	
	Weight:kg	2		Weight:kg	0.23
Price:usd	NO.13-7	Price:usd	NO.13		
Remarks: HOWO WD615 AZ1560130064			Remarks: HOWO WD615		

Oil pan		NO.14	KD0379		
				Part No.	VG2600150108
				CH part name	油底壳磁性螺栓
				EN part name	Oil pan magnetism bolt
				RU part name	Пробка маслянного поддона
				Size:mm	46*26
				Weight:kg	0.17
			Price:usd	NO.14-2	
			Remarks:HOWO		
KD0380			KD0381		
	Part No.	VG14150004		Part No.	VG1246130008XLB
	CH part name	油底壳密封圈		CH part name	空压机修理包
	EN part name	Oil pan seal		EN part name	Air compressor repair kit
	RU part name	Прокладка маслянного поддона		RU part name	ремонт пакет
	Size:mm	2200*20		Size:mm	
	Weight:kg	0.3		Weight:kg	0.28

Email: ventas@sdpartsdelivery.com

Email: ventas@sdpartsdelivery.com

Website: <http://www.sdpartsdelivery.com>

	Price:usd	NO.14-4		Price:usd	NO.13
Remarks:HOWO WD615			Remarks: HOWO D10 D12		
KD0382			KD0383		
	Part No.	VG14150046		Part No.	VG2600150106
	CH part name	油底壳托块		CH part name	油底壳磁性螺栓密封圈
	EN part name	Oil pan support block		EN part name	Magnetism bolt seal
	RU part name	маслен поддон		RU part name	Сальник пробки масляного поддона
	Size:mm	29*25*24		Size:mm	50*50*1
	Weight:kg	0.07		Weight:kg	0.01
	Price:usd	NO.14-5		Price:usd	NO.14-3
Remarks: HOWO WD615 D10			Remarks: HOWO WD615 D10		
KD0384			KD0385		
	Part No.	VG1540150002A		Part No.	VG1800150015
	CH part name	油底壳总成		CH part name	油底壳总成
	EN part name	Euro III oil pan		EN part name	Euro II oil pan
	RU part name	Маслянный поддон в сборе Евро3		RU part name	Маслянный поддон Евро2
	Size:mm	1120*270*280		Size:mm	1025*250*280
	Weight:kg	10.43		Weight:kg	7.8
	Price:usd	NO.14-1		Price:usd	NO.14-1
Remarks: HOWO WD615 E3 D10			Remarks: HOWO WD615 E2 D10		
KD0386			KD0387		
	Part No.	WG9719190001		Part No.	VG1246150010
	CH part name	空气滤芯总成		CH part name	油底壳总成
	EN part name	Air filter assy.		EN part name	Euro III oil pan
	RU part name	Воздушный фильтр в сборе		RU part name	Маслянный поддон в сборе Евро3
	Size:mm	700*470*500		Size:mm	
	Weight:kg	13.1		Weight:kg	7.85

Email: ventas@sdpartsdelivery.com

Email: ventas@sdpartsdelivery.com

Website: <http://www.sdpartsdelivery.com>



	NO.	NO.15		NO.	NO.14-1
Remarks: HOWO WG9725190045			Remarks: HOWO D12		
KD0388			KD0389		
	Part No.	WG9719190001-1		Part No.	WG9725190155
	CH part name	空滤器滤芯		CH part name	油式空气滤清器总成
	EN part name	Air filter element		EN part name	Oil type air filter assy.
	RU part name	Фильтроэлемент		RU part name	Влагоотделитель воздушный в сборе
	Size:mm	485*310		Size:mm	710*470*550
	Weight:kg	5.04		Weight:kg	25.5
	NO.	NO.15		NO.	NO.15
Remarks: HOWO K3046			Remarks: HOWO		
KD0390			KD0391		
	Part No.	WG9725190102+0103		Part No.	WG9725190150
	CH part name	09 款空气滤芯		CH part name	油式空气滤清器总成
	EN part name	Air filter element(2841)		EN part name	Oil type air filter assy.
	RU part name	Воздушный фильтр		RU part name	Влагоотделитель воздушный в сборе
	Size:mm	280*280*410		Size:mm	710*470*550
	Weight:kg	3.5		Weight:kg	25.5
	NO.	NO.15		NO.	NO.15
Remarks: HOWO K2841			Remarks: HOWO		
KD0392			KD0393		
	Part No.	WG9725190150+001		Part No.	WG9725190200
	CH part name	油式空气滤清器		CH part name	空气滤清器总成
	EN part name	Oil type air filter		EN part name	Air filter assy.
	RU part name	Фильтр воздушный дополнительный		RU part name	Воздушный фильтр в сборе
	Size:mm	530*400*270		Size:mm	700*400*400
	Weight:kg	7.55		Weight:kg	12.5
	NO.	NO.15		NO.	NO.15

Email: ventas@sdpartsdelivery.com



Email: ventas@sdpartsdelivery.com

Website: <http://www.sdpartsdelivery.com>


Remarks: HOWO	Remarks: HOWO
---------------	---------------

KD0394			KD0395		
	Part No.	WG9719190003		Part No.	WG9719190014
	CH part name	双筒进气道总成		CH part name	进气道总成
	EN part name	Air intake pipe assy.		EN part name	Air intake pipe assy.
	RU part name	Воздухозаборник в сборе		RU part name	Воздухозаборник Евро2
	Size:mm	1200*600*250		Size:mm	800*370*155
	Weight:kg	12.5		Weight:kg	2.14
	NO.	NO.15-10		NO.	NO.15-10

Remarks: HOWO	Remarks: HOWO
---------------	---------------

KD0396			KD0397		
	Part No.	WG9725190002		Part No.	WG9719190015
	CH part name	双筒进气道总成		CH part name	进气道波纹管
	EN part name	Air intake pipe assy.		EN part name	Air intake bellows
	RU part name	Воздухозаборник в сборе		RU part name	Сифон для воздуховода (гофра резиновая)
	Size:mm	1200*600*250		Size:mm	240*180*13.9
	Weight:kg	12.5		Weight:kg	1.2
	NO.	NO.15-10		NO.	NO.15-12

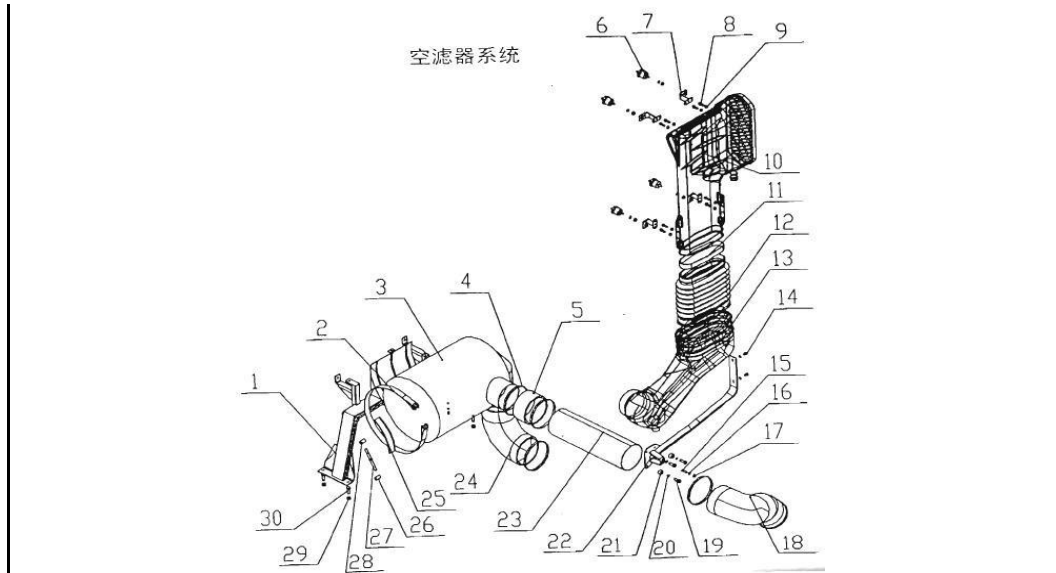
Remarks: HOWO WG9725190001	Remarks: HOWO WG9725190008
----------------------------	----------------------------

Engine accessory/AIR FILTER	NO.15	KD0263				
			Part No.	WG9725190905		
			CH part name	橡胶软管 180		
			EN part name	Air intake bellows		
			RU part name	Сифон для воздуховода (гофра резиновая)		
			Size:mm	180*180*100		
			Weight:kg	1.1		
			NO.	NO.15-12		


Email: ventas@sdpartsdelivery.com


Email: ventas@sdpartsdelivery.com

Website: <http://www.sdpartsdelivery.com>




Remarks: HOWO		
KD0398		
	Part No.	WG9725190144
	CH part name	空气软管
	EN part name	Air hose
	RU part name	воздушный шланг
	Size:mm	
	Weight:kg	0.42
	NO.	NO.15-18
Remarks: HOWO		


KD0399		
	Part No.	WG9719190009
	CH part name	进气软管
	EN part name	Air filter inlet pipe
	RU part name	впускной патрубок
	Size:mm	470*65
	Weight:kg	3.1
	NO.	NO.15-18

KD0400		
	Part No.	WG9725191350
	CH part name	空滤进气管
	EN part name	Air filter inlet pipe
	RU part name	впускной патрубок
	Size:mm	
	Weight:kg	0.51
	NO.	NO.15-13

Remarks: HOWO

Remarks: HOWO

KD0401		
	Part No.	WG9725191375
	CH part name	空滤进气管 (后)
	EN part name	Air filter inlet pipe

KD0402		
	Part No.	WG9725190042
	CH part name	空气软管
	EN part name	Air hose

Email: ventas@sdpartsdelivery.com

Email: ventas@sdpartsdelivery.com







Website: <http://www.sdpartsdelivery.com>

	RU part name Size:mm Weight:kg NO.	впускной патрубок 0.53 NO.15-13		RU part name Size:mm Weight:kg NO.	воздушный шланг 0.83 NO.15-5
Remarks: HOWO			Remarks: HOWO		
KD0403			KD0404		
	Part No. CH part name EN part name RU part name Size:mm Weight:kg NO.	WG9725191431 空滤进气管 Air filter inlet pipe впускной патрубок 0.32 NO.15-13		Part No. CH part name EN part name RU part name Size:mm Weight:kg NO.	WG9719530230 铜水箱 Copper radiator Радиатор системы охлаждения (медный) 885*775*100 18.59 NO.16-12
Remarks: HOWO			Remarks: HOWO WD615.47		
KD0405			KD0406		
	Part No. CH part name EN part name RU part name Size:mm Weight:kg NO.	WG9719190008 橡胶管 Rubber tube резиновые трубки 0.3 NO.15-24		Part No. CH part name EN part name RU part name Size:mm Weight:kg NO.	WG9719530231 全铝水箱 Aluminum radiator Радиатор системы охлаждения (алюминий) 775*845*145 16 NO.16-12
Remarks: HOWO			Remarks: HOWO WD615.47		
KD0407			KD0408		
	Part No.	WG9725530010		Part No.	WG9719530227

Email: ventas@sdpartsdelivery.com

Email: ventas@sdpartsdelivery.com

Website: <http://www.sdpartsdelivery.com>

	<table border="1"> <tr><td>CH part name</td><td>铜水箱</td></tr> <tr><td>EN part name</td><td>Copper radiator</td></tr> <tr><td>RU part name</td><td>Радиатор системы охлаждения (медный)</td></tr> <tr><td>Size:mm</td><td>885*775*100</td></tr> <tr><td>Weight:kg</td><td>18.59</td></tr> <tr><td>NO.</td><td>NO.16-12</td></tr> </table>	CH part name	铜水箱	EN part name	Copper radiator	RU part name	Радиатор системы охлаждения (медный)	Size:mm	885*775*100	Weight:kg	18.59	NO.	NO.16-12		<table border="1"> <tr><td>CH part name</td><td>冷却水出水软管</td></tr> <tr><td>EN part name</td><td>Cooling water outtake pipe</td></tr> <tr><td>RU part name</td><td>Выпускной водяной шланг</td></tr> <tr><td>Size:mm</td><td>260*68</td></tr> <tr><td>Weight:kg</td><td>0.45</td></tr> <tr><td>NO.</td><td>NO.16-46</td></tr> </table>	CH part name	冷却水出水软管	EN part name	Cooling water outtake pipe	RU part name	Выпускной водяной шланг	Size:mm	260*68	Weight:kg	0.45	NO.	NO.16-46				
CH part name	铜水箱																														
EN part name	Copper radiator																														
RU part name	Радиатор системы охлаждения (медный)																														
Size:mm	885*775*100																														
Weight:kg	18.59																														
NO.	NO.16-12																														
CH part name	冷却水出水软管																														
EN part name	Cooling water outtake pipe																														
RU part name	Выпускной водяной шланг																														
Size:mm	260*68																														
Weight:kg	0.45																														
NO.	NO.16-46																														
Remarks:HOWO WD615.62.87.69		Remarks: HOWO WG9725538063																													
KD0409		KD0410																													
	<table border="1"> <tr><td>Part No.</td><td>WG9725530011</td></tr> <tr><td>CH part name</td><td>全铝水箱</td></tr> <tr><td>EN part name</td><td>Aluminum radiator</td></tr> <tr><td>RU part name</td><td>Радиатор системы охлаждения (алюминий)</td></tr> <tr><td>Size:mm</td><td>775*845*145</td></tr> <tr><td>Weight:kg</td><td>16</td></tr> <tr><td>NO.</td><td>NO.16-12</td></tr> </table>	Part No.	WG9725530011	CH part name	全铝水箱	EN part name	Aluminum radiator	RU part name	Радиатор системы охлаждения (алюминий)	Size:mm	775*845*145	Weight:kg	16	NO.	NO.16-12		<table border="1"> <tr><td>Part No.</td><td>WG9719530111</td></tr> <tr><td>CH part name</td><td>散热器进水管</td></tr> <tr><td>EN part name</td><td>Radiator intake pipe</td></tr> <tr><td>RU part name</td><td>Впускной водяной шланг</td></tr> <tr><td>Size:mm</td><td>318*210*58</td></tr> <tr><td>Weight:kg</td><td>0.71</td></tr> <tr><td>NO.</td><td>NO.16-28</td></tr> </table>	Part No.	WG9719530111	CH part name	散热器进水管	EN part name	Radiator intake pipe	RU part name	Впускной водяной шланг	Size:mm	318*210*58	Weight:kg	0.71	NO.	NO.16-28
Part No.	WG9725530011																														
CH part name	全铝水箱																														
EN part name	Aluminum radiator																														
RU part name	Радиатор системы охлаждения (алюминий)																														
Size:mm	775*845*145																														
Weight:kg	16																														
NO.	NO.16-12																														
Part No.	WG9719530111																														
CH part name	散热器进水管																														
EN part name	Radiator intake pipe																														
RU part name	Впускной водяной шланг																														
Size:mm	318*210*58																														
Weight:kg	0.71																														
NO.	NO.16-28																														
Remarks:HOWO WD615.62.87.69		Remarks: HOWO WG9725538008																													
KD0411		KD0412																													
	<table border="1"> <tr><td>Part No.</td><td>WG9725530129-1</td></tr> <tr><td>CH part name</td><td>水箱</td></tr> <tr><td>EN part name</td><td>Aluminum radiator</td></tr> <tr><td>RU part name</td><td>Радиатор системы охлаждения</td></tr> <tr><td>Size:mm</td><td>975*770</td></tr> <tr><td>Weight:kg</td><td>16</td></tr> <tr><td>NO.</td><td>NO.16-12</td></tr> </table>	Part No.	WG9725530129-1	CH part name	水箱	EN part name	Aluminum radiator	RU part name	Радиатор системы охлаждения	Size:mm	975*770	Weight:kg	16	NO.	NO.16-12		<table border="1"> <tr><td>Part No.</td><td>WG9719530228</td></tr> <tr><td>CH part name</td><td>胶管</td></tr> <tr><td>EN part name</td><td>Rubber hose</td></tr> <tr><td>RU part name</td><td>резиновый шланг</td></tr> <tr><td>Size:mm</td><td>75*70*55</td></tr> <tr><td>Weight:kg</td><td>0.15</td></tr> <tr><td>NO.</td><td>NO.16-36</td></tr> </table>	Part No.	WG9719530228	CH part name	胶管	EN part name	Rubber hose	RU part name	резиновый шланг	Size:mm	75*70*55	Weight:kg	0.15	NO.	NO.16-36
Part No.	WG9725530129-1																														
CH part name	水箱																														
EN part name	Aluminum radiator																														
RU part name	Радиатор системы охлаждения																														
Size:mm	975*770																														
Weight:kg	16																														
NO.	NO.16-12																														
Part No.	WG9719530228																														
CH part name	胶管																														
EN part name	Rubber hose																														
RU part name	резиновый шланг																														
Size:mm	75*70*55																														
Weight:kg	0.15																														
NO.	NO.16-36																														
Remarks: HOWO		Remarks: HOWO 08																													
KD0413		KD0414																													
	<table border="1"> <tr><td>Part No.</td><td>WG9719530270</td></tr> <tr><td>CH part name</td><td>水箱</td></tr> <tr><td>EN part name</td><td>Aluminum radiator</td></tr> </table>	Part No.	WG9719530270	CH part name	水箱	EN part name	Aluminum radiator		<table border="1"> <tr><td>Part No.</td><td>WG9719530212</td></tr> <tr><td>CH part name</td><td>散热器出水管</td></tr> <tr><td>EN part name</td><td>Radiator outlet pipe</td></tr> </table>	Part No.	WG9719530212	CH part name	散热器出水管	EN part name	Radiator outlet pipe																
Part No.	WG9719530270																														
CH part name	水箱																														
EN part name	Aluminum radiator																														
Part No.	WG9719530212																														
CH part name	散热器出水管																														
EN part name	Radiator outlet pipe																														



Email: ventas@sdpartsdelivery.com

Email: ventas@sdpartsdelivery.com

Website: <http://www.sdpartsdelivery.com>

	RU part name	Радиатор системы охлаждения		RU part name	выпускной труба радиатора
	Size:mm			Size:mm	500*450*120
	Weight:kg	16		Weight:kg	1.2
	NO.	NO.16-12		NO.	NO.16-45
Remarks: HOWO			Remarks:HOWO		

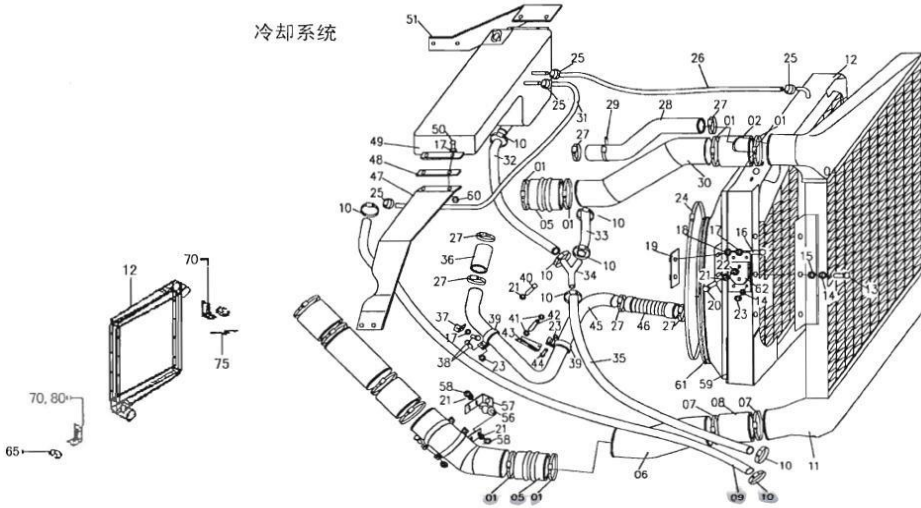


KD0415			KD0416		
	Part No.	WG9719530250		Part No.	WG9725530020
	CH part name	增压中冷器		CH part name	增压中冷器
	EN part name	Intercooler		EN part name	Intercooler
	RU part name	Интеркулер		RU part name	Интеркулер
	Size:mm	1100*900*210		Size:mm	1100*900*210
	Weight:kg	20		Weight:kg	20
	NO.	NO.16-11		NO.	NO.16-11
Remarks: HOWO WD615 47			Remarks: HOWO WD615.62/87/69		

KD0417			KD0418		
	Part No.	WG9725530070		Part No.	WG9719530108
	CH part name	中冷器进气胶管		CH part name	中冷器出气胶管
	EN part name	Air intake hose		EN part name	Air intake hose
	RU part name	Патрубок впускной интеркулера		RU part name	Патрубок впускной интеркулера
	Size:mm	200*11		Size:mm	165*120
	Weight:kg	0.65		Weight:kg	0.46

Email: ventas@sdpartsdelivery.com

Email: ventas@sdpartsdelivery.com

Website: <http://www.sdpartsdelivery.com>

	NO.	NO.16-8		NO.	NO.16-2-8
Remarks: HOWO WD615 62/87			Remarks: HOWO WD615 47/69/82 WG9719530307		
COOLING SYSTEM		NO.16			
 <p>冷却系统</p>				Part No. CH part name EN part name RU part name Size:mm Weight:kg NO.	WG9719530122 中冷器出气管 Air intake hose Патрубок впускной интеркулера 1.95 NO.16-30
			Remarks: HOWO WD615 47/69/82		
			KD0420		
				Part No. CH part name EN part name RU part name Size:mm Weight:kg NO.	WG9114530139 膨胀箱胶管 Expansion box hose расширительный бак шланг 8*1700 0.21 NO.16-31
Remarks: HOWO					

Email: ventas@sdpartsdelivery.com

Email: ventas@sdpartsdelivery.com

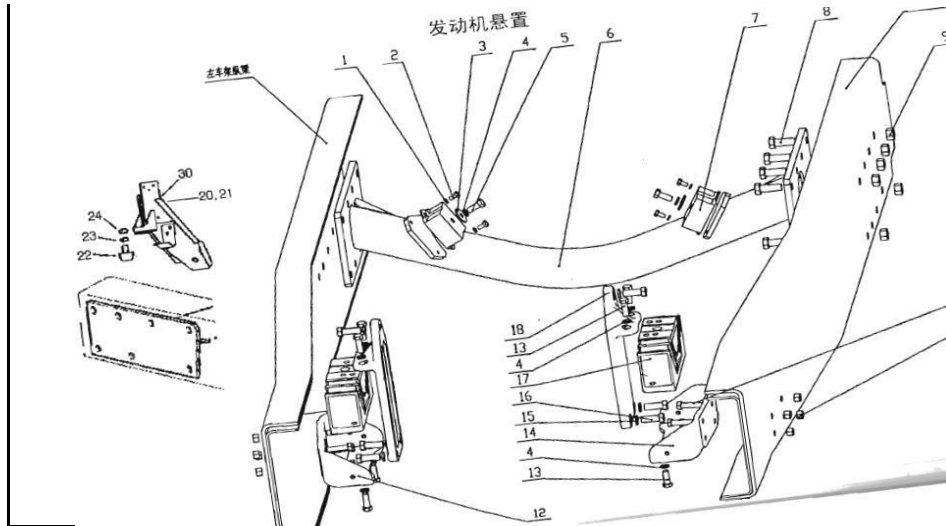
Website: <http://www.sdpartsdelivery.com>

KD0421				KD0422			
	Part No.	WG9719530260			Part No.	WG9632530333	
	CH part name	膨胀水箱总成			CH part name	膨胀水箱 420 马力	
	EN part name	Expansion tank assy.			EN part name	Expansion tank	
	RU part name	Расширительный бачок в сборе			RU part name	Расширительный бачок в сборе 420л.с.	
	Size:mm	700*460*460			Size:mm	690*450*80	
	Weight:kg	2.55			Weight:kg	2.8	
	NO.	NO.16-49			NO.	NO.16-49	
Remarks: HOWO 70				Remarks:HOWO WG9112530333 336PH			
KD0423				KD0424			
	Part No.	AZ9719530272			Part No.	WG9730530011	
	CH part name	水箱支承缓冲垫总成			CH part name	中冷器出气胶管	
	EN part name	Cushion for water tank			EN part name	Intercooler outtake pipe	
	RU part name	подушки в бак с водой			RU part name	Патрубок интеркулера	
	Size:mm	100*55*89			Size:mm	210*120*120	
	Weight:kg	0.35			Weight:kg	0.8	
	NO.	NO.16-65			NO.	NO.16	
Remarks: HOWO				Remarks: HOWO			
SUSPENSION FOR ENGINE		NO.17		KD0425			
					Part No.	WG9719530318	
					CH part name	中冷器胶管	
					EN part name	Intercooler hose	
					RU part name	Патрубок интеркулера	
					Size:mm	330*360*11	
					Weight:kg	0.95	
					NO.	NO.16	
Remarks: HOWO							

Email: ventas@sdpartsdelivery.com

Email: ventas@sdpartsdelivery.com

Website: <http://www.sdpartsdelivery.com>



KD0426		
	Part No.	WG9731590015
	CH part name	左支架
	EN part name	Left bracket
	RU part name	Кронштейн левый
	Size:mm	255*98*130
	Weight:kg	5
	Price:usd	NO.17-12
Remarks: HOWO AZ9731590015		

KD0427		
	Part No.	WG9100590031
	CH part name	发动机后支撑
	EN part name	Rear engine bearer
	RU part name	Опора задняя двигателя
	Size:mm	210*119*70
	Weight:kg	4.9
	NO.	NO.17-17

Remarks: HOWO 199100590031

KD0428		
	Part No.	WG9731590016
	CH part name	右支架
	EN part name	Right bracket
	RU part name	Кронштейн правый
	Size:mm	255*98*130
	Weight:kg	5
	NO.	NO.17-14

Remarks: HOWO AZ9731590016

KD0429		
	Part No.	WG1680590095
	CH part name	发动机前支撑
	EN part name	Front engine bearer
	RU part name	Опора передняя двигателя
	Size:mm	117.5*70*47
	Weight:kg	0.55


KD0430		
	Part No.	WG9725590101
	CH part name	管状横梁
	EN part name	Crossbeam
	RU part name	Поперечная балка
	Size:mm	1000*250*280
	Weight:kg	18

Email: ventas@sdpartsdelivery.com

Email: ventas@sdpartsdelivery.com

Website: <http://www.sdpartsdelivery.com>

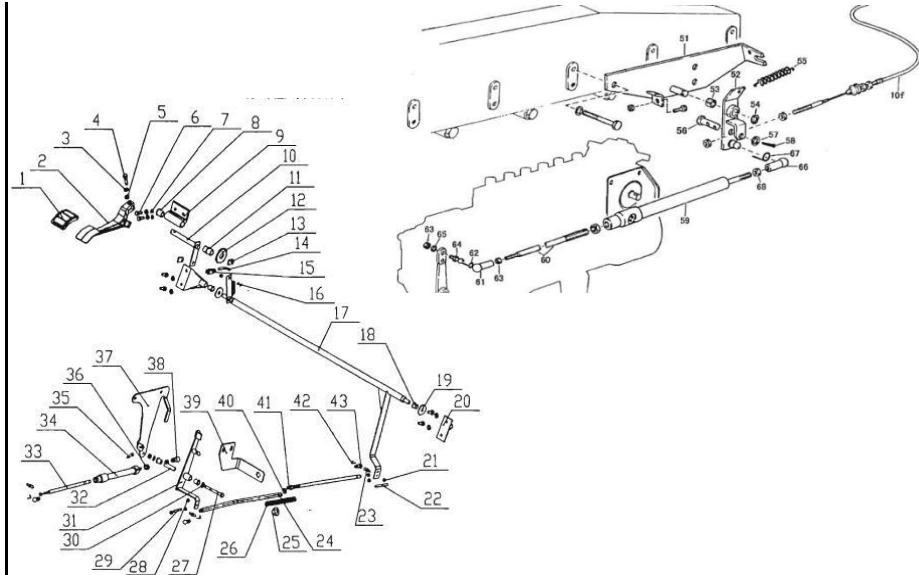
	NO.	NO.17-7		NO.	NO.17-6
Remarks: HOWO 168000590095			Remarks: HOWO		
KD0431			KD0432		
	Part No.	VG9100590009		Part No.	VG9100590006
	CH part name	发动机右支架		CH part name	发动机左支架
	EN part name	Right bracket		EN part name	Left bracket
	RU part name	Правая опора двигателя		RU part name	Левая опора двигателя
	Size:mm	208*208*40		Size:mm	210*225*68
	Weight:kg	2.5		Weight:kg	3.05
	NO.	NO.17-30		NO.	NO.17-30
Remarks: HOWO			Remarks: HOWO		
KD0433			KD0434		
	Part No.	AZ9731590020		Part No.	AZ9719570002
	CH part name	支承受架		CH part name	欧 II 油门踏板
	EN part name	Strut block		EN part name	EuroII accelerograph pedal
	RU part name	Кронштейн крепления двигателя		RU part name	Педаль газа
	Size:mm	350*113*66		Size:mm	270*60*80
	Weight:kg	4.18		Weight:kg	0.4
	NO.	NO.17		NO.	NO.18-2
Remarks:HOWO AZ9725590002			Remarks:HOWO E2		


OPERATION DEVICE	NO.18	KD0435		
			Part No.	WG9725570010
			CH part name	电子式油门踏板
			EN part name	Electronic accelerograph pedal
			RU part name	Педаль газа
			Size:mm	300*180*120
			Weight:kg	2.3

Email: ventas@sdpartsdelivery.com

Email: ventas@sdpartsdelivery.com

Website: <http://www.sdpartsdelivery.com>




KD0437		
	Part No.	WG9100570005
	CH part name	停油缸
	EN part name	Compressed air cylinder
	RU part name	Цилиндр для прекращения слива топлива
	Size:mm	270*30*26
	Weight:kg	0.23
	NO.	NO.18-59
Remarks:HOWO		
KD0439		
	Part No.	WG9716570002
	CH part name	油门拉线 (右置)
	EN part name	Hand accelerator cable
	RU part name	Тросик акселератора


	NO.	NO.18-2
Remarks:HOWO E3		
KD0436		
	Part No.	AZ9725570070
	CH part name	手油门
	EN part name	Hand accelerator
	RU part name	Ручная заслонка
	Size:mm	140*140*20
	Weight:kg	0.33
	NO.	NO.18-31
Remarks:HOWO		
KD0438		
	Part No.	WG9725570001
	CH part name	油门拉线
	EN part name	Hand accelerator cable
	RU part name	Тросик акселератора
	Size:mm	2190*4
	Weight:kg	0.5
	NO.	NO.18-10F
Remarks: HOWO		
KD0440		
	Part No.	WG9725570002
	CH part name	手油门拉线
	EN part name	Hand throttle cable
	RU part name	Тросик акселератора

Email: ventas@sdpartsdelivery.com

Email: ventas@sdpartsdelivery.com



Website: <http://www.sdpartsdelivery.com>

	Size:mm		Size:mm	2500*6
	Weight:kg	0.5	Weight:kg	0.3
	NO.	NO.18-10F	NO.	NO.18
Remarks: HOWO 07 R WG9716570004 WG9725570201 D12			Remarks: HOWO	

KD0441			KD0442		
	Part No.	WG972557020		Part No.	WG9725570300
	CH part name	油门拉线		CH part name	油门拉线
	EN part name	Hand accelerograph cable		EN part name	Hand accelerograph cable
	RU part name	Тросик акселератора		RU part name	Тросик акселератора
	Size:mm			Size:mm	
	Weight:kg	0.5		Weight:kg	0.56
	NO.	NO.18-10F		NO.	NO.18-10F

Remarks:HOWO D12

Remarks:HOWO EGR WG9925570211 A7

KD0443			KD0444		
	Part No.	WG9925550001		Part No.	WG9725550006
	CH part name	油箱		CH part name	油箱 D 型
	EN part name	Oil tank(400L)		EN part name	Oil tank(400L)
	RU part name	Топливный бак (квадратный) 400л.		RU part name	Топливный бак 400л.
	Size:mm	980*710*710		Size:mm	930*710*750
	Weight:kg	22		Weight:kg	22
	NO.	NO.19-1		NO.	NO.19-1

Remarks:HOWO 400L

Remarks:HOWO 400L

KD0445			KD0446		
	Part No.	AZ9112550210		Part No.	WG9725550300
	CH part name	铝合金油箱 (圆形 350L)		CH part name	300L 油箱方形

Email: ventas@sdpartsdelivery.com

Email: ventas@sdpartsdelivery.com

Website: <http://www.sdpartsdelivery.com>



	EN part name	Oil tank(350L)		EN part name	Oil tank(300L)
	RU part name	Топливный бак 350л.		RU part name	Топливный бак (квадратный) 300л.
	Size:mm	700*940		Size:mm	980*700*600
	Weight:kg	18.45		Weight:kg	20
	NO.	NO.19-1		NO.	NO.19-1
Remarks:HOWO			Remarks:HOWO		
KD0447			KD0448		
	Part No.	AZ9112550210-2		Part No.	WG9925550003
	CH part name	油箱盖		CH part name	油箱盖
	EN part name	Metal oil tank cover		EN part name	Metal oil tank cover
	RU part name	Крышка бака железная		RU part name	Крышка бака железная
	Size:mm	820*700*680		Size:mm	820*700*680
	Weight:kg	0.8		Weight:kg	0.8
	NO.	NO.19-1-2		NO.	NO.19-1-2
Remarks:HOWO			Remarks:HOWO		

KD0449			KD0450		
	Part No.	179200550023		Part No.	AZ9112550220
	CH part name	油箱盖		CH part name	燃油箱支架总成(圆)
	EN part name	Plastic oil tank cover		EN part name	Oil tank bracket
	RU part name	Крышка бака пластиковая		RU part name	Кронштейн бака в сборе (круглый)
	Size:mm	820*700*680		Size:mm	700*260*150
	Weight:kg	0.45		Weight:kg	7.38
	NO.	NO.19-1-2		NO.	NO.19-2
Remarks:HOWO 199100550107			Remarks:HOWO		
KD0451			KD0452		
	Part No.	WG9525550016		Part No.	AZ9718559001-1
	CH part name	方油箱支架		CH part name	200L 油量传感器

Email: ventas@sdpartsdelivery.com

Email: ventas@sdpartsdelivery.com

Website: <http://www.sdpartsdelivery.com>

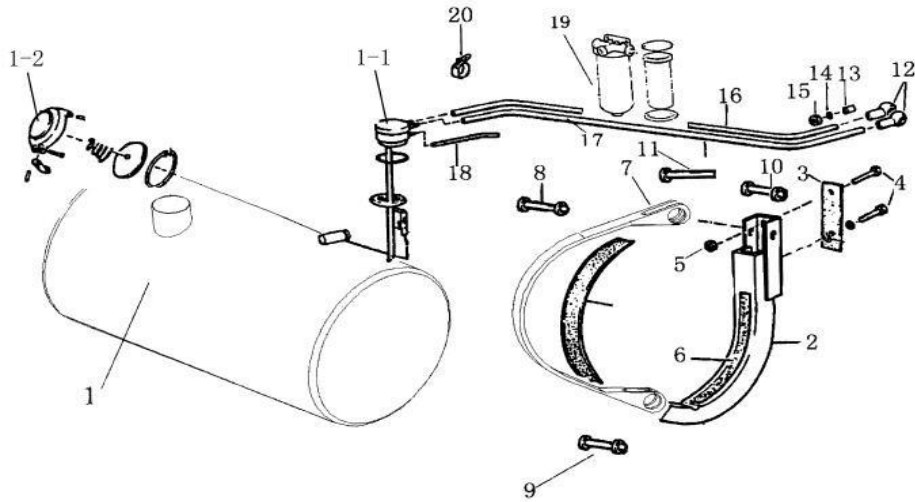
	EN part name	Oil tank bracket		EN part name	Fuel sensor(200L)
	RU part name	Кронштейн бака в сборе (квадратный)		RU part name	Датчик уровня топлива в баке 200л.
	Size:mm	380*380*80		Size:mm	500*80*80
	Weight:kg	5.3		Weight:kg	0.5
	NO.	NO.19-2		NO.	NO.19-1-1
Remarks:HOWO AZ9525550016			Remarks:HOWO		
KD0453			KD0454		
	Part No.	WG9925550001-1		Part No.	WG925550300-1
	CH part name	400L 油箱油位传感器		CH part name	燃油传感器
	EN part name	Fuel sensor(400L)		EN part name	Fuel sensor(300L)
	RU part name	Топливный датчик 400л.		RU part name	Топливный датчик 300л.
	Size:mm	720*80*80		Size:mm	720*80*80
	Weight:kg	0.65		Weight:kg	0.63
	NO.	NO.19-1-1		NO.	NO.19-1-1
	Remarks:HOWO (接 12*1.5 管)			Remarks:HOWO(金属管路/300L 方型)	
KD0455			KD0456		
	Part No.	AZ9112550225		Part No.	AZ9112550226
	CH part name	紧固带		CH part name	油箱支架垫板
	EN part name	Strap		EN part name	Oil tank bracket cushion plate
	RU part name	лента		RU part name	Подкладка кроштейна бака
	Size:mm	1350*100		Size:mm	800*160*10
	Weight:kg	0.7		Weight:kg	1.2
	NO.	NO.19-7		NO.	NO.19-6
	Remarks:HOWO			Remarks:HOWO	

FUEL AL-TANK	NO.19	KD0457		
			Part No.	AZ9112550227/28/29/30
			CH part name	拉紧销

Email: ventas@sdpartsdelivery.com

Email: ventas@sdpartsdelivery.com

Website: <http://www.sdpartsdelivery.com>



EN part name	Tension bolt
RU part name	штифт
Size:mm	
Weight:kg	0.4
NO.	NO.19-8-9-10-11

Remarks:HOWO

KD0458



Part No.	WG9719540009
CH part name	排气管总成
EN part name	Exhaust line
RU part name	ЛИНИЯ ВЫХЛОПНЫХ ГАЗОВ
Size:mm	150*540
Weight:kg	4.25
NO.	NO.20-4

Remarks:HOWO WG9719540012

KD0459



Part No.	WG9719540016
CH part name	变径卡箍总成
EN part name	Clamp
RU part name	хомут
Size:mm	
Weight:kg	0.25
NO.	NO.20-6

Remarks:HOWO

KD0461

Part No.	WG9725540009
CH part name	卡箍总成
EN part name	Clamp

KD0460



Part No.	WG9731540001
CH part name	排气管总成
EN part name	Exhaust line
RU part name	ЛИНИЯ ВЫХЛОПНЫХ ГАЗОВ
Size:mm	310*180*180
Weight:kg	5.8
NO.	NO.20-4

Remarks:HOWO 8*4

KD0462





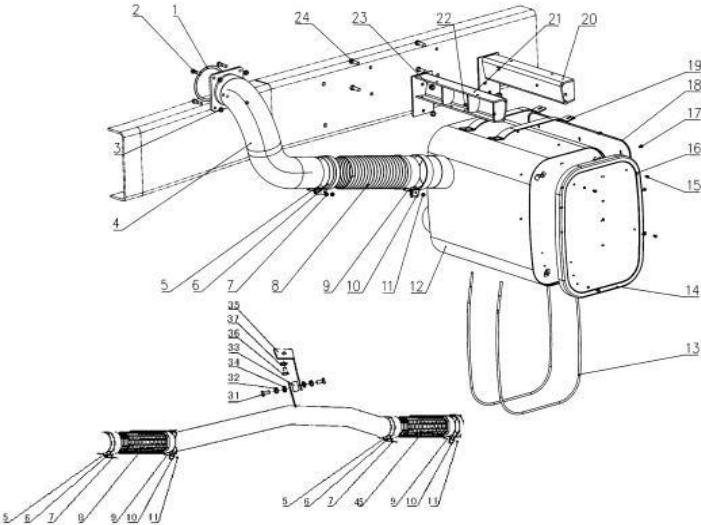


Part No.	WG9719540021
CH part name	绕线式挠性软管
EN part name	Corrugated flexible metal tube

Email: ventas@sdpartsdelivery.com

Email: ventas@sdpartsdelivery.com

Website: <http://www.sdpartsdelivery.com>

	RU part name	XOMYT		RU part name	Гофра
	Size:mm			Size:mm	373*130
	Weight:kg	0.3		Weight:kg	2.12
	NO.	NO.20-6		NO.	NO.20-45
Remarks:HOWO			Remarks:HOWO		



<p>muffler NO.20</p> 		<p>KD0463</p> 		<p>Part No.</p> <p>CH part name</p> <p>EN part name</p> <p>RU part name</p> <p>Size:mm</p> <p>Weight:kg</p> <p>NO.</p>	<p>WG9725540007</p> <p>绕线式绕形软管</p> <p>Corrugated flexible metal tube</p> <p>Гофра</p> <p>310*150*120</p> <p>4.2</p> <p>NO.20-8</p>
<p>KD0465</p>		<p>KD0464</p> 		<p>Part No.</p> <p>CH part name</p> <p>EN part name</p> <p>RU part name</p> <p>Size:mm</p> <p>Weight:kg</p> <p>NO.</p>	<p>WG9725540053</p> <p>绕线式绕形软管</p> <p>Corrugated flexible metal tube</p> <p>Гофра</p> <p>380*130*130</p> <p>2.4</p> <p>NO.20-8</p>
<p>Part No.</p> <p>CH part name</p> <p>EN part name</p>		<p>Part No.</p> <p>CH part name</p> <p>EN part name</p>		<p>Remarks:HOWO</p> <p>Remarks:HOWO</p>	
<p>AZ9719540019</p> <p>消声器垫圈</p> <p>Muffler washer</p>		<p>KD0466</p>		<p>WG9725540010</p> <p>消声器总成</p> <p>Muffler assy.</p>	

Email: ventas@sdpartsdelivery.com

Email: ventas@sdpartsdelivery.com

Website: <http://www.sdpartsdelivery.com>







	RU part name	Прокладка глушителя		RU part name	Глушитель в сборе
	Size:mm	148*127*2		Size:mm	740*550*410
	Weight:kg	0.01		Weight:kg	25.4
	NO.	NO.20-1		NO.	NO.20-12
Remarks:HOWO			Remarks:HOWO 08		
KD0467			KD0468		
	Part No.	AZ9719540008		Part No.	WG9725540002
	CH part name	消声器拉紧杆		CH part name	消声器总成
	EN part name	Muffler tension rod		EN part name	Muffler assy.
	RU part name	глушитель напряженности, род		RU part name	Глушитель в сборе
	Size:mm			Size:mm	740*550*410
	Weight:kg	0.55		Weight:kg	25.4
	NO.	NO.20-13		NO.	NO.20-12
Remarks:HOWO			Remarks:HOWO		

KD0469			KD0470		
	Part No.	WG9731540002		Part No.	WG1560161130
	CH part name	绕线式绕形软管		CH part name	离合器片 D=420
	EN part name	Corrugated flexible metal tube		EN part name	420 Driven disc
	RU part name	Гофра		RU part name	Ведомый диск в сборе 420
	Size:mm	660*140		Size:mm	420*420*65
	Weight:kg	4.09		Weight:kg	9.7
	NO.	NO.20-8		NO.	NO.21-1
Remarks:HOWO 8*4			Remarks:HOWO		
KD0471			KD0472		
	Part No.	WG9112540001		Part No.	BZ1560161090
	CH part name	绕线式绕形软管		CH part name	420 压盘总成

Email: ventas@sdpartsdelivery.com

Email: ventas@sdpartsdelivery.com

Website: <http://www.sdpartsdelivery.com>

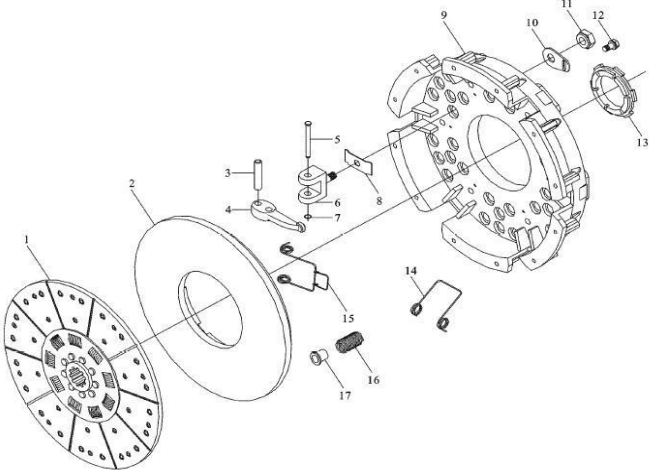


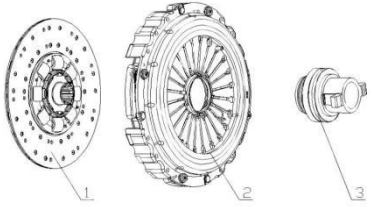

	EN part name RU part name Size:mm Weight:kg NO.	Corrugated flexible metal tube Гофра 285*144*144 3.65 NO.20-8		EN part name RU part name Size:mm Weight:kg NO.	420 Platen assy. Корзина сцепления 420 480*480*110 50.15 NO.21-9
Remarks:HOWO			Remarks:HOWO AZ9114160013		
KD0473			KD0474		
	Part No. CH part name EN part name RU part name Size:mm Weight:kg NO.	BZ1560161212 推力环 Thrust collar Упорное кольцо 90*9 0.25 NO.21-13		Part No. CH part name EN part name RU part name Size:mm Weight:kg NO.	BZ1560161084 分离杠杆弹簧 Spring Пружина выжимного рычага 30*10*1 0.01 NO.21-14
Remarks:HOWO			Remarks:HOWO		
KD0475			KD0476		
	Part No. CH part name EN part name RU part name Size:mm Weight:kg NO.	WG9443161001 430 推式离合器和器压盘 430 Platen assy. Корзина сцепления 430 в сборе 500*500*130 38 NO.21-2		Part No. CH part name EN part name RU part name Size:mm Weight:kg NO.	BZ1560161081 分离杠杆弹簧 Spring Пружина выжимного рычага 0.013 NO.21-15
Remarks:HOWO			Remarks:HOWO		

Clutch	NO.21	KD0477		
--------	--------------	--------	--	--

Email: ventas@sdpartsdelivery.com

Email: ventas@sdpartsdelivery.com




Website: <http://www.sdpartsdelivery.com>



		Part No.	BZ1560161096		
		CH part name	分离杠杆总成		
		EN part name	Disengaging lever assembly		
		RU part name	разделение рычаг в сборе		
	Part No.	WG9114160011			
	CH part name	430 拉式离合器压盘			
	EN part name	430 Platen			
	RU part name	Корзина сцепления 430			
	Part No.	WG9725160300			
	CH part name	430 从动盘			
	EN part name	430 Driven disc			
	Part No.	AZ9114160030			
	CH part name	430 分离轴承			
	EN part name	Release bearing(430)			
KD0479			KD0450		
Remarks:HOWO				Remarks:HOWO AZ9114160010	
KD0478					

Email: ventas@sdpartsdelivery.com

Email: ventas@sdpartsdelivery.com

Website: <http://www.sdpartsdelivery.com>

	RU part name	Диск сцепления 430			RU part name	Подшипник выжимной 430
	Size:mm	430*430*65			Size:mm	155*155*120
	Weight:kg	8.9			Weight:kg	2.96
	NO.	NO.21-1			NO.	NO.21-3
Remarks:HOWO AZ9114160020			Remarks:HOWO WG9114160030 WG9725160510 A/B 型			
KD0451			KD0452			
	Part No.	199012210078		Part No.	WG9725160520	
	CH part name	420 分离轴承座		CH part name	430 分离轴承	
	EN part name	Release bearing(420)		EN part name	Release bearing(430)	
	RU part name	Подшипник выжимной 420		RU part name	Подшипник выжимной 430	
	Size:mm	110*110*130		Size:mm		
	Weight:kg	1.4		Weight:kg	2.1	
	NO.	NO.21-3		NO.	NO.21-3	
	Remarks:HOWO C04002 RT-11509C			Remarks:HOWO C 型		

KD0453			KD0454		
	Part No.	F996914		Part No.	WG9719230015
	CH part name	420 分离轴承		CH part name	离合器总泵
	EN part name	Release bearing		EN part name	Driving cylinder
	RU part name	разделение подшипник		RU part name	Главный цилиндр сцепления
	Size:mm	70*110*25		Size:mm	285*178*54
	Weight:kg	0.8		Weight:kg	1.09
	NO.	NO.21-3		NO.	NO.22-13

Email: ventas@sdpartsdelivery.com

Email: ventas@sdpartsdelivery.com

Website: <http://www.sdpartsdelivery.com>



Remarks:HOWO 85CT5740F3 RT-11509C			Remarks:HOWO WG9114230020		
KD0455			KD0456		
	Part No.	WG9719230011		Part No.	AZ9719230009
	CH part name	离合器制动控制阀		CH part name	回位弹簧
	EN part name	Clutch brake valve		EN part name	Return spring
	RU part name	Управляющий клапан сцепления		RU part name	Пружина сцепления
	Size:mm	115*46*38		Size:mm	125*42*9
	Weight:kg	0.15		Weight:kg	0.01
	NO.	NO.22-18		NO.	NO.22-22
Remarks:HOWO			Remarks:HOWO		
KD0457			KD0458		
	Part No.	WG9123230026		Part No.	WG9719230027
	CH part name	离合器油管 430		CH part name	离合器油管
	EN part name	High pressure hose		EN part name	High pressure hose
	RU part name	сцепление труб		RU part name	сцепление труб
	Size:mm			Size:mm	620*5300
	Weight:kg	0.8		Weight:kg	0.8
	Price:usd	NO.22-25		NO.	NO.22-25
Remarks: HOWO For Ф420 clutch			Remarks: HOWO For Ф430 clutch		
KD0459			KD0460		
	Part No.	WG9114230018		Part No.	WG9632230010
	CH part name	离合器助力缸 (Ф108)		CH part name	离合器油管右置
	EN part name	Operating cylinder		EN part name	High pressure hose
	RU part name	ПГУ		RU part name	сцепление труб
	Size:mm	310*110*110		Size:mm	2300*7500
	Weight:kg	2.55		Weight:kg	0.8
	NO.	NO.22-26		NO.	NO.22-25

Email: ventas@sdpartsdelivery.com



Email: ventas@sdpartsdelivery.com

Website: <http://www.sdpartsdelivery.com>

Remarks: HOWO For Φ 430 clutch	Remarks: HOWO For drive right
-------------------------------------	-------------------------------



KD0461				KD0462			
	Part No.	WG9114230023			Part No.	WG9114230029	
	CH part name	离合器助力缸			CH part name	离合器助力缸	
	EN part name	Operating cylinder			EN part name	Operating cylinder	
	RU part name	ПГУ			RU part name	ПГУ	
	Size:mm	310*110*110			Size:mm	310*110*110	
	Weight:kg	2.55			Weight:kg	2.55	
	NO.	NO.22-26			NO.	NO.22-26	

Remarks: HOWO For Φ 420 clutch,fuller gear box	Remarks: HOWO For Φ 420 clutch,ZF S6-120
---	---

KD0463				KD0464			
	Part No.	WG9719230025			Part No.	WG9719230030	
	CH part name	离合器助力缸			CH part name	离合器助力缸 Φ 90	
	EN part name	Operating cylinder			EN part name	Operating cylinder	
	RU part name	ПГУ			RU part name	ПГУ	
	Size:mm	310*110*110			Size:mm	310*110*110	
	Weight:kg	2.55			Weight:kg	2.55	
	NO.	NO.22-26			NO.	NO.22-26	

Remarks: HOWO	Remarks: HOWO For Φ 420 clutch,ZF 5S-150GP
---------------	---

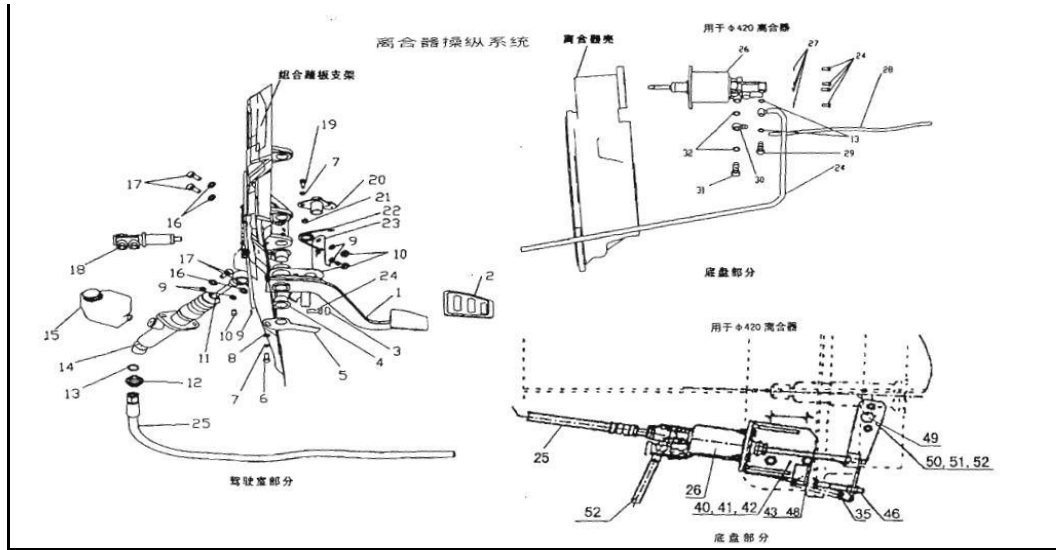
CLUTCH OPERATION SYSTEM	NO.22			KD0465			
--------------------------------	--------------	--	--	--------	--	--	--

	Part No.	WG9725230042			Part No.	WG9725230042	
	CH part name	离合器助力缸			CH part name	离合器助力缸	
	EN part name	Operating cylinder			EN part name	Operating cylinder	
	RU part name	ПГУ			RU part name	ПГУ	
	Size:mm	360*120*120			Size:mm	360*120*120	
	Weight:kg	2.8			Weight:kg	2.8	
	NO.	NO.22-26			NO.	NO.22-26	

Email: ventas@sdpartsdelivery.com

Email: ventas@sdpartsdelivery.com

Website: <http://www.sdpartsdelivery.com>



Remarks: HOWO Φ102、Φ25		
KD0466		
	Part No.	WG9725230040
	CH part name	离合器和助力缸
	EN part name	Operating cylinder
	RU part name	ПГУ
	Size:mm	310*110*110
	Weight:kg	2.55
	NO.	NO.22-26
Remarks: HOWO		

KD0467		
	Part No.	WG9725230033
	CH part name	离合器和助力缸
	EN part name	Operating cylinder
	RU part name	ПГУ
	Size:mm	310*110*110
	Weight:kg	2.55
	NO.	NO.22-26

KD0468		
	Part No.	90-XLB
	CH part name	离合器助力缸修理包
	EN part name	Power clutch cylinder repair kit
	RU part name	Ремкомплект ПГУ
	Size:mm	125*42*9
	Weight:kg	0.1
	NO.	NO.22

Remarks: HOWO

Remarks: HOWO D=90

KD0469		
	Part No.	108-XLB
	CH part name	离合器助力缸修理包
	EN part name	Power clutch cylinder repair kit
	RU part name	Ремкомплект ПГУ
	Size:mm	125*42*9

KD0470		
	Part No.	102-XLB
	CH part name	离合器助力缸修理包
	EN part name	Power clutch cylinder repair kit
	RU part name	Ремкомплект ПГУ
	Size:mm	125*42*9

Email: ventas@sdpartsdelivery.com

Email: ventas@sdpartsdelivery.com

Website: <http://www.sdpartsdelivery.com>

	Weight:kg	0.1		Weight:kg	0.1
	NO.	NO.22		NO.	NO.22
Remarks:HOWO D=108			Remarks:HOWO D=102		
KD0471			KD0472		
	Part No.	AZ9719230045		Part No.	AZ9725360020
	CH part name	离合器踏板总成		CH part name	08 款离合和器踏板总成
	EN part name	Clutch pedal		EN part name	Combined bracket
	RU part name	педаль сцепления		RU part name	Кронштейн педали сцепления
	Size:mm			Size:mm	360*350*265
	Weight:kg	1.01		Weight:kg	5.2
	NO.	NO.22-18		NO.	NO.22
Remarks:HOWO			Remarks:HOWO 08		
KD0473			KD0474		
	Part No.	AZ9719360050		Part No.	WG9719230023
	CH part name	07 款组合支架(VOSS)		CH part name	离合器总泵
	EN part name	Combined bracket		EN part name	Driving cylinder
	RU part name	Кронштейн педали сцепления		RU part name	Главный цилиндр сцепления
	Size:mm	360*350*265		Size:mm	285*178*54
	Weight:kg	5.2		Weight:kg	0.95
	NO.	NO.22		NO.	NO.22-13
Remarks:HOWO 07			Remarks:HOWO		

CLUTCH HOUSING FOR FULLER RT-/

NO.23

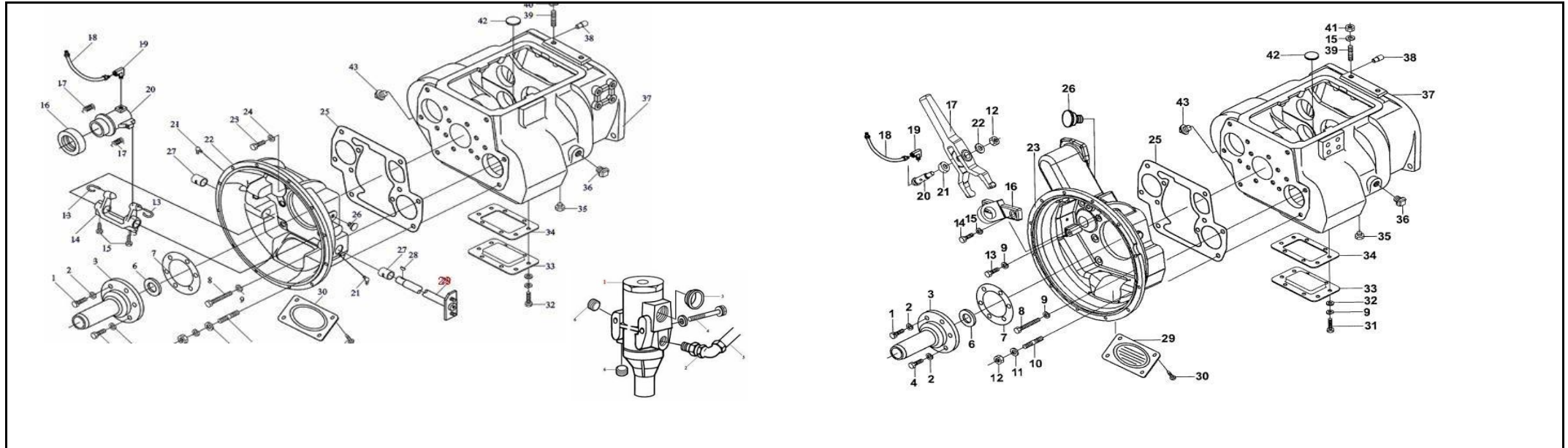
CLUTCH HOUSING FOR FULLER RT-/



NO.24

Email: ventas@sdpartsdelivery.com

Email: ventas@sdpartsdelivery.com

Website: <http://www.sdpartsdelivery.com>



KD0475			KD0476		
	Part No.	RT-11509C		Part No.	9JS119
	CH part name	变速箱总成		CH part name	变速箱总成
	EN part name	Gear gearbox		EN part name	9 Gear gearbox
	RU part name	КПП в сборе		RU part name	КПП в сборе
	Size:mm	1000*650*600		Size:mm	1000*650*600
	Weight:kg	320		Weight:kg	300
	NO.	NO.23		NO.	NO.23

Remarks: HOWO



Remarks: HOWO 9JS150T

KD0477			KD0478		
	Part No.	F91409		Part No.	F91410
	CH part name	一轴轴承盖		CH part name	变速箱前油封
	EN part name	Bearing cover		EN part name	Oil seal
	RU part name	Крышка подшипника первичного вала		RU part name	Сальник переднего вала КПП

Email: ventas@sdpartsdelivery.com

Email: ventas@sdpartsdelivery.com

Website: <http://www.sdpartsdelivery.com>

	Size:mm	170*170			Size:mm	47.5*65*6.5
	Weight:kg	2.05			Weight:kg	0.01
	NO.	NO.23-3			NO.	NO.23-6
Remarks:HOWO RT-11509C				Remarks:HOWO RT-11509C 46.6*65*6.35		

KD0479			KD0480		
	Part No.	JS180-1701040-1		Part No.	F500A-1802191
	CH part name	一轴轴承盖		CH part name	一轴轴承盖油封
	EN part name	Bearing cover		EN part name	Oil seal
	RU part name	Крышка подшипника первичного вала		RU part name	Сальник переднего вала КПП
	Size:mm	45*57*138*165		Size:mm	70*70*8
	Weight:kg	2.05		Weight:kg	0.08
	NO.	NO.23-3		NO.	NO.23-6
Remarks:HOWO			Remarks:HOWO 50.8*72*10		



KD0481			KD0482		
	Part No.	F12817		Part No.	JS180-1601021-4
	CH part name	离合器分离叉		CH part name	离合器分离叉
	EN part name	Release fork		EN part name	Release fork
	RU part name	Вилка выключения сцепления		RU part name	Вилка выключения сцепления
	Size:mm	130*100*30		Size:mm	430*150*50
	Weight:kg	0.8		Weight:kg	3.9
	NO.	NO.23-14		NO.	NO.23-17
Remarks:HOWO			Remarks:HOWO		

KD0483			KD0484		
	Part No.	F51016		Part No.	JS180-1601023-1
	CH part name	软管		CH part name	拨叉轴
	EN part name	Hose		EN part name	Shift fork shaft

Email: ventas@sdpartsdelivery.com

Email: ventas@sdpartsdelivery.com

Website: <http://www.sdpartsdelivery.com>


	RU part name	Шланг		RU part name	переход вилку вал
	Size:mm	230*15		Size:mm	100*30*30
	Weight:kg	0.15		Weight:kg	0.2
	NO.	NO.23-18		NO.	NO.23-20
Remarks:HOWO			Remarks:HOWO		
KD0485			KD0486		
	Part No.	199112230033		Part No.	A-4740
	CH part name	拨叉轴		CH part name	空气滤清调压阀总成
	EN part name	Shift fork shaft		EN part name	Air regulator valve
	RU part name	переход вилку вал		RU part name	Регулятор очистки воздуха в сборе
	Size:mm			Size:mm	122*80*42
	Weight:kg	2.2		Weight:kg	0.26
	NO.	NO.23-29		NO.	NO.23-1
Remarks:HOWO			Remarks:HOWO		

KD0487			KD0488		
	Part No.	20822		Part No.	A-C03001
	CH part name	FL 变速箱维修		CH part name	双 H 总成
	EN part name	FL gearbox repair kit		EN part name	Double H device assy
	RU part name	Ремкомплект коробки передач FL		RU part name	двойная h устройство, астрид
	Size:mm	450*360*6		Size:mm	435*177*70
	Weight:kg	0.2		Weight:kg	10.9
	NO.	NO.23		NO.	NO.24
Remarks:HOWO			Remarks:HOWO RT-11509C F96194-6		
KD0489			KD0490		
	Part No.	F96194		Part No.	JS100-1702051-3
	CH part name	双 H 壳体		CH part name	双 H 总成 (左置)

Email: ventas@sdpartsdelivery.com

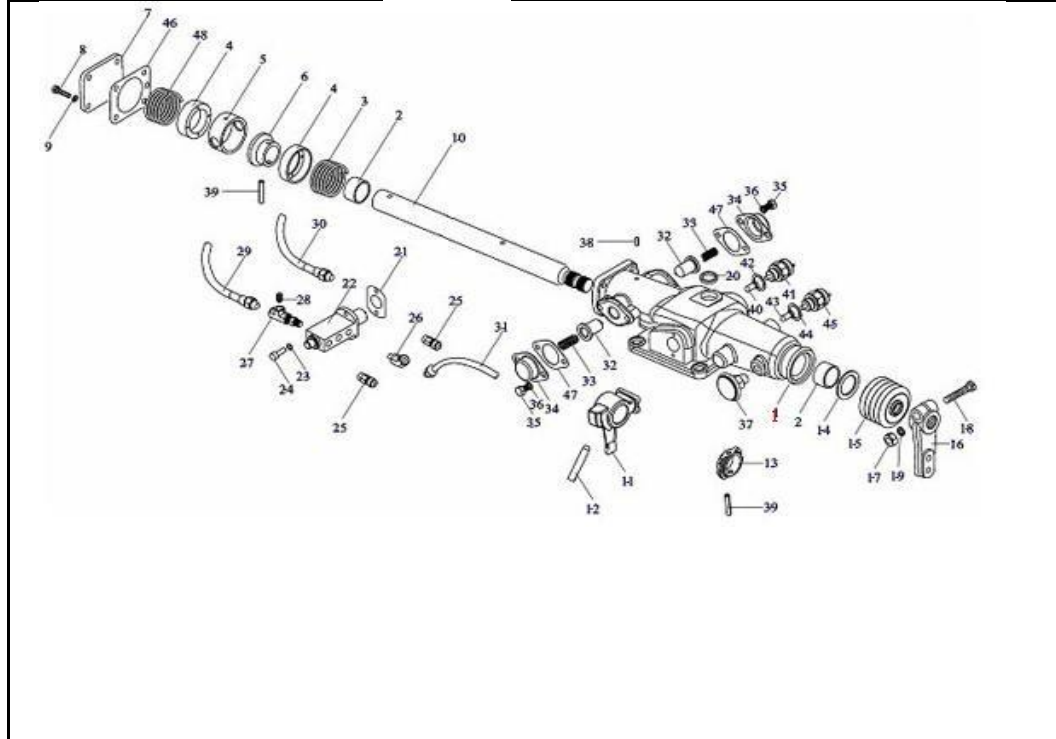
Email: ventas@sdpartsdelivery.com


Website: <http://www.sdpartsdelivery.com>

	EN part name	Double H housing
	RU part name	Корпус двойного H-образного клапана
	Size:mm	360*180*75
	Weight:kg	6.24
	NO.	NO.24-1

Remarks:RT-11509C F96194-6


SWITCH GEAR **NO.24**



	EN part name	Double H device assy
	RU part name	двойная h устройство, астрид
	Size:mm	435*195*70
	Weight:kg	11.5
	NO.	NO.24


Remarks:HOWO 9JS150T On the left

KD0491

	Part No.	JS100-1702051-3
	CH part name	双 H 总成 (右置)
	EN part name	Double H device assy
	RU part name	двойная h устройство, астрид
	Size:mm	435*195*70
	Weight:kg	11.5
	NO.	NO.24

Remarks:HOWO 9JS150T Right set

KD0492

	Part No.	F96035
	CH part name	LRC 换档臂
	EN part name	LRC shifting arm
	RU part name	цур смены руку
	Size:mm	118*40*25
	Weight:kg	0.37
	NO.	NO.24-16

Remarks:HOWO

KD0493		
	Part No.	F99660
	CH part name	双 H 气阀

KD0494		
	Part No.	55522/55523/55518
	CH part name	气管总成

Email: ventas@sdpartsdelivery.com

Email: ventas@sdpartsdelivery.com

Website: <http://www.sdpartsdelivery.com>

	<table border="1"> <tr><td>EN part name</td><td>Double H valve</td></tr> <tr><td>RU part name</td><td>двойная h клапан</td></tr> <tr><td>Size:mm</td><td>118*47*38</td></tr> <tr><td>Weight:kg</td><td>0.29</td></tr> <tr><td>NO.</td><td>NO.24-22</td></tr> </table>	EN part name	Double H valve	RU part name	двойная h клапан	Size:mm	118*47*38	Weight:kg	0.29	NO.	NO.24-22			<table border="1"> <tr><td>EN part name</td><td>Air pipe</td></tr> <tr><td>RU part name</td><td>Воздушная трубка</td></tr> <tr><td>Size:mm</td><td>770*15</td></tr> <tr><td>Weight:kg</td><td>0.78</td></tr> <tr><td>NO.</td><td>NO.24-29-30-31</td></tr> </table>	EN part name	Air pipe	RU part name	Воздушная трубка	Size:mm	770*15	Weight:kg	0.78	NO.	NO.24-29-30-31									
EN part name	Double H valve																																
RU part name	двойная h клапан																																
Size:mm	118*47*38																																
Weight:kg	0.29																																
NO.	NO.24-22																																
EN part name	Air pipe																																
RU part name	Воздушная трубка																																
Size:mm	770*15																																
Weight:kg	0.78																																
NO.	NO.24-29-30-31																																
Remarks:HOWO			Remarks:HOWO																														
KD0495			KD0496																														
	<table border="1"> <tr><td>Part No.</td><td>79100710069</td></tr> <tr><td>CH part name</td><td>高低档开关</td></tr> <tr><td>EN part name</td><td>High-low gear switch</td></tr> <tr><td>RU part name</td><td>Переключатель низшей и высшей передач</td></tr> <tr><td>Size:mm</td><td>51*27</td></tr> <tr><td>Weight:kg</td><td>0.04</td></tr> <tr><td>NO.</td><td>NO.24</td></tr> </table>	Part No.	79100710069	CH part name	高低档开关	EN part name	High-low gear switch	RU part name	Переключатель низшей и высшей передач	Size:mm	51*27	Weight:kg	0.04	NO.	NO.24			<table border="1"> <tr><td>Part No.</td><td>79100710068</td></tr> <tr><td>CH part name</td><td>倒挡开关</td></tr> <tr><td>EN part name</td><td>Reverse gear switch</td></tr> <tr><td>RU part name</td><td>Выключатель задней передачи</td></tr> <tr><td>Size:mm</td><td>51*29</td></tr> <tr><td>Weight:kg</td><td>0.04</td></tr> <tr><td>NO.</td><td>NO.24-45</td></tr> </table>	Part No.	79100710068	CH part name	倒挡开关	EN part name	Reverse gear switch	RU part name	Выключатель задней передачи	Size:mm	51*29	Weight:kg	0.04	NO.	NO.24-45	
Part No.	79100710069																																
CH part name	高低档开关																																
EN part name	High-low gear switch																																
RU part name	Переключатель низшей и высшей передач																																
Size:mm	51*27																																
Weight:kg	0.04																																
NO.	NO.24																																
Part No.	79100710068																																
CH part name	倒挡开关																																
EN part name	Reverse gear switch																																
RU part name	Выключатель задней передачи																																
Size:mm	51*29																																
Weight:kg	0.04																																
NO.	NO.24-45																																
Remarks:HOWO			Remarks:HOWO																														
KD0497			KD0498																														
	<table border="1"> <tr><td>Part No.</td><td>99012710041</td></tr> <tr><td>CH part name</td><td>空挡开关</td></tr> <tr><td>EN part name</td><td>Neutral switch</td></tr> <tr><td>RU part name</td><td>Выключатель нейтрального положения</td></tr> <tr><td>Size:mm</td><td>53*22</td></tr> <tr><td>Weight:kg</td><td>0.08</td></tr> <tr><td>NO.</td><td>NO.24-41</td></tr> </table>	Part No.	99012710041	CH part name	空挡开关	EN part name	Neutral switch	RU part name	Выключатель нейтрального положения	Size:mm	53*22	Weight:kg	0.08	NO.	NO.24-41			<table border="1"> <tr><td>Part No.</td><td>15276</td></tr> <tr><td>CH part name</td><td>通气塞</td></tr> <tr><td>EN part name</td><td>Air vent plug</td></tr> <tr><td>RU part name</td><td>вытяжка пробка</td></tr> <tr><td>Size:mm</td><td></td></tr> <tr><td>Weight:kg</td><td>0.15</td></tr> <tr><td>NO.</td><td>NO.24-37</td></tr> </table>	Part No.	15276	CH part name	通气塞	EN part name	Air vent plug	RU part name	вытяжка пробка	Size:mm		Weight:kg	0.15	NO.	NO.24-37	
Part No.	99012710041																																
CH part name	空挡开关																																
EN part name	Neutral switch																																
RU part name	Выключатель нейтрального положения																																
Size:mm	53*22																																
Weight:kg	0.08																																
NO.	NO.24-41																																
Part No.	15276																																
CH part name	通气塞																																
EN part name	Air vent plug																																
RU part name	вытяжка пробка																																
Size:mm																																	
Weight:kg	0.15																																
NO.	NO.24-37																																
Remarks:HOWO			Remarks:HOWO																														
KD0499			KD0500																														
	<table border="1"> <tr><td>Part No.</td><td>19726</td></tr> <tr><td>CH part name</td><td>副箱主轴减速齿</td></tr> </table>	Part No.	19726	CH part name	副箱主轴减速齿			<table border="1"> <tr><td>Part No.</td><td>18869</td></tr> <tr><td>CH part name</td><td>副箱驱动齿轮</td></tr> </table>	Part No.	18869	CH part name	副箱驱动齿轮																					
Part No.	19726																																
CH part name	副箱主轴减速齿																																
Part No.	18869																																
CH part name	副箱驱动齿轮																																

Email: ventas@sdpartsdelivery.com

Email: ventas@sdpartsdelivery.com

Website: <http://www.sdpartsdelivery.com>

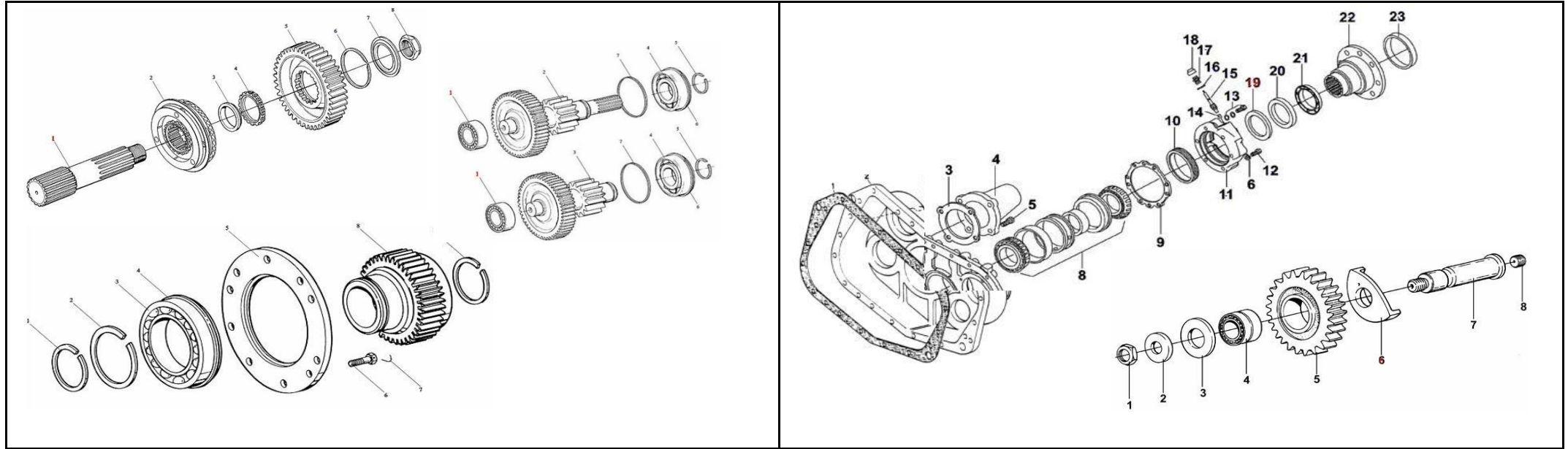
	EN part name	Release gear		EN part name	Drive gear
	RU part name	Понижающая шестерня главного вала		RU part name	Шестерня привода делителя передач
	Size:mm	225*102*38		Size:mm	144*86*67
	Weight:kg	5.01		Weight:kg	2.55
	NO.	NO.25-5		NO.	NO.25-8
Remarks:HOWO 9JS135 11509C			Remarks:HOWO 9JS135 11509C		

KD0501		KD0502			
	Part No.	F99882		Part No.	18222
	CH part name	副箱主轴		CH part name	焊接轴
	EN part name	Aux main shaft		EN part name	Long lay shaft
	RU part name	Главный вал делителя передач		RU part name	Длинный промежуточный вал делителя
	Size:mm	280*75		Size:mm	180*258
	Weight:kg	6.87		Weight:kg	7.58
	NO.	NO.25-1		NO.	NO.25-2
Remarks:HOWO 9JS135 11509C			Remarks:HOWO 9JS135 11509C 9JS150T A-5119		
KD0503		KD0504			
	Part No.	A-C09019		Part No.	42307E
	CH part name	焊接轴		CH part name	焊接轴内轴承
	EN part name	Long lay shaft		EN part name	Welding shaft bearing
	RU part name	Длинный промежуточный вал делителя		RU part name	сварка вал подшипник
	Size:mm			Size:mm	35*80*21
	Weight:kg	7.28		Weight:kg	0.54
	NO.	NO.25-3		NO.	NO.25-1
Remarks:HOWO 9JS135 11509C 9JS150T			Remarks:HOWO 9JS135 11509C		
AUX. GEARBOX LAY SHAFT		NO.25	REAR COVER		NO.26

Email: ventas@sdpartsdelivery.com

Email: ventas@sdpartsdelivery.com

Website: <http://www.sdpartsdelivery.com>



KD0505			KD0506		
	Part No.	192310E		Part No.	F99967
CH part name	焊接轴外轴承	CH part name	输出轴后轴承盖	EN part name	Output axle rear bearing cov
EN part name	Welding shaft bearing	RU part name	Крышка задняя КПП	RU part name	Крышка задняя КПП
RU part name	сварка вал подшипник	Size:mm	160*104*56	Size:mm	160*104*56
Size:mm	50*110*27	Weight:kg	2.59	Weight:kg	2.59
Weight:kg	1.2	NO.	NO.26-11	NO.	NO.26-11
NO.	NO.25-4	Remarks:HOWO 9JS135 11509C 9JS119 9JS150T		Remarks:HOWO 9JS135 11509C 9JS119 9JS150T	
Remarks:HOWO NUP310E 9JS135 11509C 9JS119		KD0507	KD0508		

Email: ventas@sdpartsdelivery.com

Email: ventas@sdpartsdelivery.com

Website: <http://www.sdpartsdelivery.com>

	Part No.	A-C09005		Part No.	19109
	CH part name	同步器总成		CH part name	变速箱后油封
	EN part name	Synchronizer		EN part name	Rear oil seal
	RU part name	Синхронизатор в сборе		RU part name	Сальник
	Size:mm	300*300*100		Size:mm	115*95*12
	Weight:kg	4.95		Weight:kg	0.06
	NO.	NO.25-2		NO.	NO.26-19-20
Remarks:HOWO 9JS135 11509C A-5056			Remarks:HOWO 9JS135 11509C C01032		
KD0509			KD0510		
	Part No.	F91055/F91054		Part No.	717813
	CH part name	里程表主被动齿轮		CH part name	组合轴承
	EN part name	Odograph driving gear		EN part name	Cylindrical roller bearing
	RU part name	на odograph света		RU part name	цилиндрические ролик с
	Size:mm	80*80*23/100*20*20		Size:mm	110*68
	Weight:kg	0.08/0,1		Weight:kg	2.2
	NO.	NO.26-10-15		NO.	NO.26-8
Remarks:HOWO 9JS135 11509C 9JS119 9JS150T A-5056			Remarks:HOWO 9JS135 11509C 9JS119 9JS150T		
KD0511			KD0512		
	Part No.	F99975		Part No.	F99902
	CH part name	后盖壳体		CH part name	输出法兰盘
	EN part name	Housing		EN part name	Output flange disc

Email: ventas@sdpartsdelivery.com

Email: ventas@sdpartsdelivery.com

Website: <http://www.sdpartsdelivery.com>

	RU part name	Корпус задней крышки		RU part name	выходной фланец
	Size:mm	495*340*63		Size:mm	180
	Weight:kg	14.61		Weight:kg	3.2
	NO.	NO.26-2		NO.	NO.26-22
Remarks:HOWO 9JS135 11509C 9JS119 A-5056 9JS150T			Remarks:HOWO 9JS135 11509C 9JS119		

KD0513			KD0514		
	Part No.	16405		Part No.	16403
	CH part name	倒档中间轴		CH part name	杯形倒档垫圈
	EN part name	Reverse gear intermediate axle		EN part name	Washer
	RU part name	реверсивный промежуточного вала		RU part name	Шайба
	Size:mm			Size:mm	78*56*14
	Weight:kg	4.5		Weight:kg	0.22
	NO.	NO.26-7		NO.	NO.26-6

Remarks:HOWO 9JS135 11509C 9JS119

KD0515			KD0516		
	Part No.	JS135-1701083		Part No.	16757
	CH part name	倒档中间齿轮		CH part name	倒档中间齿轮
	EN part name	Reverse gear intermediate gear		EN part name	Reverse gear intermediate gear
	RU part name	реверсивный промежуточная передача		RU part name	реверсивный промежуточная передача
	Size:mm			Size:mm	
	Weight:kg	1.5		Weight:kg	1.5
	NO.	NO.26-5		NO.	NO.26-5

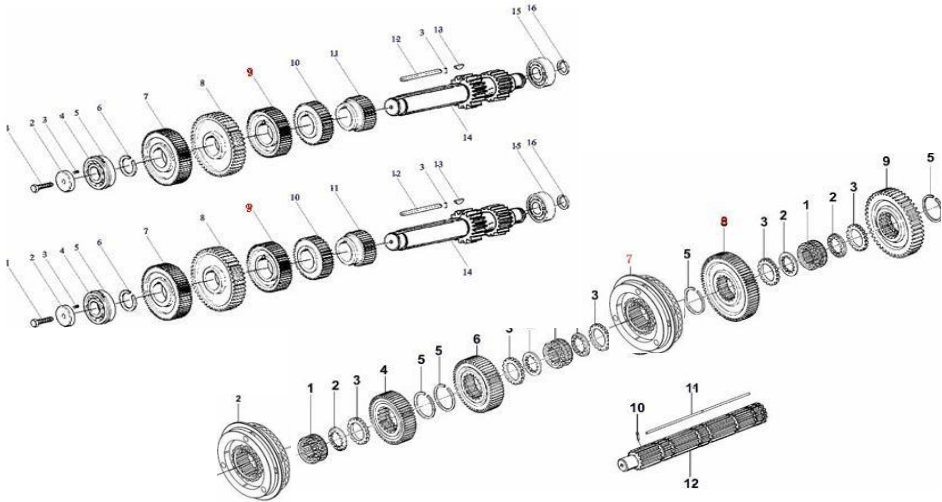


Remarks:HOWO 9JS135 9JS119

Intermediate shaft/Two axis	NO.27	KD0517		
-----------------------------	--------------	--------	--	--

Email: ventas@sdpartsdelivery.com

Email: ventas@sdpartsdelivery.com

Website: <http://www.sdpartsdelivery.com>

		Part No.	JS130T-1701180
		CH part name	一二档同步器
		EN part name	Synchronizer
		RU part name	Синхронизатор
		Size:mm	170*170*75
		Weight:kg	5.49
		NO.	NO.27-7
Remarks:HOWO 9JS135 11509C 9JS150T A-5119			
	KD0518		
		Part No.	16749
		CH part name	中间轴三档齿轮
		EN part name	Intermediate shaft 3rd gear
		RU part name	Шестерня 3-й передачи
		Size:mm	160*64*35
		Weight:kg	2.97
		NO.	NO.27-9
Remarks:HOWO 9JS135 11509C 9JS150T A-5119			

KD0519			KD0520		
	Part No.	16754		Part No.	18729
	CH part name	二轴低档齿轮		CH part name	二轴
	EN part name	2Nd shaft low gear		EN part name	2Nd shaft
	RU part name	Шестерня понижающей передачи		RU part name	Вторичный вал
	Size:mm	220*80*37		Size:mm	455*56
	Weight:kg	4.55		Weight:kg	5.7
	NO.	NO.27-8		NO.	NO.27-12
Remarks:HOWO 9JS135 11509C			Remarks:HOWO 9JS135 11509C 9JS150T A-5119		
KD0521			KD0522		

Email: ventas@sdpartsdelivery.com

Email: ventas@sdpartsdelivery.com

Website: <http://www.sdpartsdelivery.com>

	Part No.	JS130T-1701180		Part No.	16118
	CH part name	三四档同步器总		CH part name	二轴滑套
	EN part name	Synchronizer		EN part name	Sliding sleeve
	RU part name	Синхронизатор в сборе		RU part name	Скользящая муфта вторичного вала
	Size:mm	170*170*75		Size:mm	80*40*57
	Weight:kg	3.49		Weight:kg	0.56
	NO.	NO.27-2		NO.	NO.27-1
Remarks:HOWO 9JS135 11509C			Remarks:HOWO 9JS135 11509C 9JS150T A-5119		
A shaft		NO.28	KD0523		
				Part No.	19549
				CH part name	中间轴
				EN part name	Intermediate shaft
				RU part name	Промежуточный вал
				Size:mm	360*100
				Weight:kg	8.62
			NO.	NO.27-14	
Remarks:HOWO 9JS135 11509C					
KD0524			KD0525		
	Part No.	19694		Part No.	16566
	CH part name	一轴		CH part name	二轴导套
	EN part name	Input shaft		EN part name	Guide bush
	RU part name	Первичный вал		RU part name	Направляющая втулка вторичного вала
	Size:mm	325*80		Size:mm	82*52*40
	Weight:kg	3.69		Weight:kg	0.55
	NO.	NO.28-7		NO.	NO.28-8
Remarks:HOWO 9JS135 11509C			Remarks:HOWO 9JS135 11509C 9JS150T A-5119		
KD0526			KD0527		

Email: ventas@sdpartsdelivery.com

Email: ventas@sdpartsdelivery.com

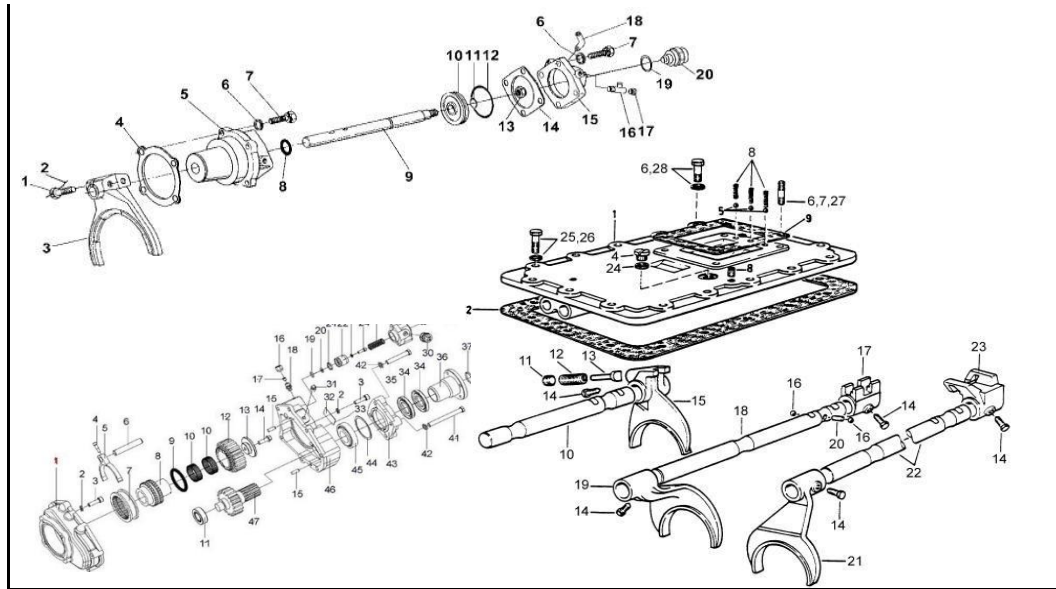
Website: <http://www.sdpartsdelivery.com>


	Part No.	17568		Part No.	14750
	CH part name	一轴齿轮		CH part name	止动环
	EN part name	No 1 axle gear		EN part name	Stop ring
	RU part name	вал переключения		RU part name	стопорный кольцо
	Size:mm	1200*500*850		Size:mm	
	Weight:kg	2		Weight:kg	0.01
	NO.	NO.28-6		NO.	NO.28-5
Remarks:HOWO 9JS135 11509C			Remarks:HOWO 9JS135 11509C		
KD0528			KD0529		
	Part No.	16463		Part No.	150212K
	CH part name	齿轮隔垫		CH part name	轴承 6212ZNB
	EN part name	Gear spacing gasket		EN part name	Single row concentric bearing with sto
	RU part name	передача распорка		RU part name	радиальный шариковый подшипник
	Size:mm			Size:mm	60*110*22
	Weight:kg	0.2		Weight:kg	0.8
	NO.	NO.28-4		NO.	NO.28-3
Remarks:HOWO 9JS135 11509C			Remarks:HOWO 9JS135 11509C		
SWITCH GEAR / SHIFTING CYLINDER	NO.29	Power take off	KD0530		
				Part No.	8858
				CH part name	一轴螺母
				EN part name	No 1 axle nut
				RU part name	гайка оси не 1
				Size:mm	85*53*12
				Weight:kg	0.21
				Price:usd	NO.28-1
Remarks:HOWO 9JS135 11509C			Remarks:HOWO 9JS135 11509C		
			KD0531		



Email: ventas@sdpartsdelivery.com

Email: ventas@sdpartsdelivery.com

Website: <http://www.sdpartsdelivery.com>



	Part No.	F99980
	CH part name	上盖
	EN part name	Upper cover
	RU part name	верхнего покрытия
	Size:mm	430*300*70
	Weight:kg	14
	NO.	NO.29-1
Remarks:HOWO 9JS135 11509C 9JS119		

KD0532			KD0533		
	Part No.	F99588		Part No.	F96085/F96084
	CH part name	1/2 和 5/6 档导块		CH part name	压缩弹簧
	EN part name	1/2、5/6Gear guide block		EN part name	Compression spring
	RU part name	1 / 2 、 5 / 6gear руководства блока		RU part name	сжатие весной
	Size:mm	55*48*35		Size:mm	
	Weight:kg	0.19		Weight:kg	0.01
	NO.	NO.29-17		NO.	NO.29-8
Remarks:HOWO 9JS135 11509C 9JS119			Remarks:HOWO 9JS135 11509C 9JS119		
KD0534			KD0535		

Email: ventas@sdpartsdelivery.com

Email: ventas@sdpartsdelivery.com

Website: <http://www.sdpartsdelivery.com>



	Part No.	F99589		Part No.	F99664
	CH part name	3/4 和 7/8 档导块		CH part name	低倒档拨叉
	EN part name	3/4、7/8Gear guide block		EN part name	Shift yoke
	RU part name	3/4 и 7/8 файл руководства блока		RU part name	низкий реверсивный вилка
	Size:mm	78*65*55		Size:mm	185*100*65
	Weight:kg	0.44		Weight:kg	0.86
	NO.	NO.29-23		NO.	NO.29-15
Remarks:HOWO 9JS135 11509C 9JS119 9JS150T			Remarks:HOWO 9JS135 11509C 9JS119 9JS150T		
KD0536			KD0537		
	Part No.	A-C09016		Part No.	JS100A-1702055
	CH part name	换挡气缸总成		CH part name	1/2 档拨叉
	EN part name	Shift cylinder		EN part name	3/4 gear dial fork
	RU part name	Пневмоцилиндр переключения передач в сборе		RU part name	Вилка переключения 3-й и 4-й передач
	Size:mm	240*145*140		Size:mm	200*175*83
	Weight:kg	6.49		Weight:kg	1.34
	NO.	NO.29		NO.	NO.29-19
Remarks:HOWO 9JS135 11509C 9JS119 9JS150T			Remarks:HOWO		
KD0538			KD0539		
	Part No.	750132019		Part No.	JS100A-1702056
	CH part name	换挡气缸		CH part name	3/4 档拨叉
	EN part name	Shift cylinder		EN part name	3/4 gear dial fork

Email: ventas@sdpartsdelivery.com



Email: ventas@sdpartsdelivery.com

Website: <http://www.sdpartsdelivery.com>

	RU part name	Пневмоцилиндр переключения передач в сборе		RU part name	Вилка переключения 3-й и 4-й передач
	Size:mm			Size:mm	200*175*83
	Weight:kg	1.23		Weight:kg	1.34
	NO.	NO.29		NO.	NO.29-21
Remarks:HOWO			Remarks:HOWO		

KD0540			KD0541		
	Part No.	16775		Part No.	QH70
	CH part name	副箱拨叉		CH part name	取力器总成
	EN part name	Aux fork		EN part name	Power take off
	RU part name	вилка		RU part name	Коробка отбора мощности в сборе
	Size:mm	195*212*55		Size:mm	270*260*150
	Weight:kg	1.4		Weight:kg	22.5
	NO.	NO.29-3		NO.	NO.29

Remarks:HOWO

KD0542			KD0543		
	Part No.	16133		Part No.	QH50
	CH part name	一二档拨叉轴		CH part name	取力器总成
	EN part name	Gear 1 and 2 shifting fork shaft		EN part name	Power take off
	RU part name	1 и 2 смены вилку вал		RU part name	Коробка отбора мощности в сборе
	Size:mm			Size:mm	270*260*150
	Weight:kg	0.8		Weight:kg	19.5
	Price:usd	NO.22		NO.	NO.29

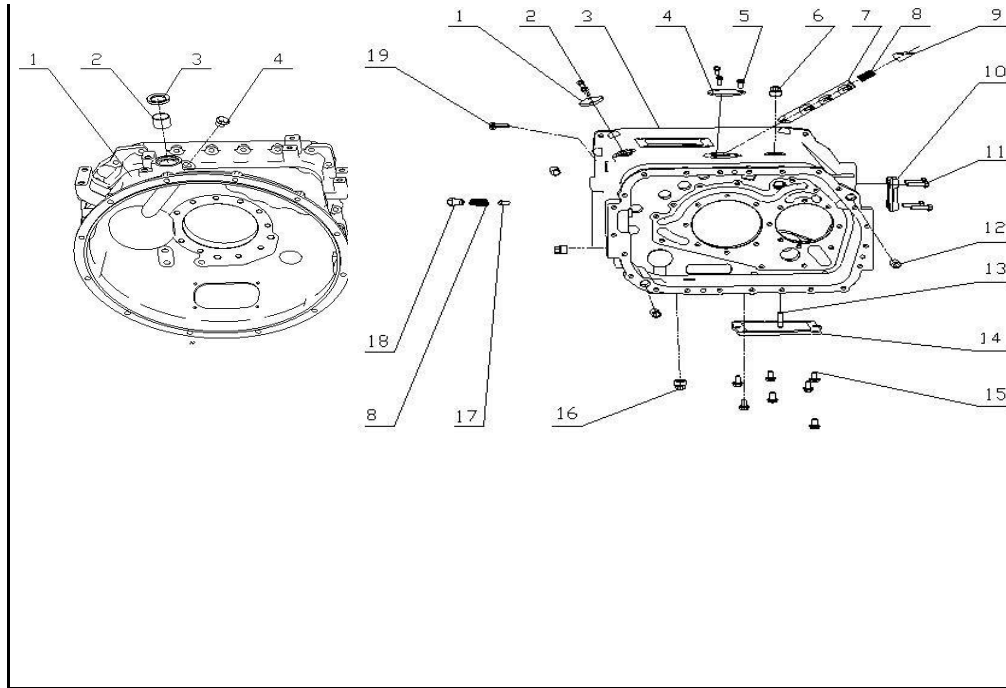
Remarks:HOWO 9JS135 11509C 9JS119 9JS150T

Transmission front shell/Transmission housing	NO.30	HW19710	KD0544		
				Part No.	HW19710090601

Email: ventas@sdpartsdelivery.com

Email: ventas@sdpartsdelivery.com

Website: <http://www.sdpartsdelivery.com>



CH part name	变速箱总成
EN part name	Gearbox assy.
RU part name	Коробка передач в сборе
Size:mm	600*600*800
Weight:kg	430
NO.	NO.30

Remarks:HOWO HW19710 (14.36,拉式,双杆) XS180 同步器,HW50-01 取力器

KD0545



Part No.	AZ222000001
CH part name	变速器前壳(拉式)
EN part name	Clutch housing
RU part name	сцепление жилья
Size:mm	
Weight:kg	32.1
NO.	NO.30-1

Remarks:HOWO HW19710 AZ2220000101 (推式)

KD0546			KD0547		
	Part No.	WG2229003030		Part No.	AZ9003073001
	CH part name	复合衬套		CH part name	骨架油封
	EN part name	Composite bush		EN part name	Skeleton oil seal
	RU part name	втулка		RU part name	скелет нефти печать
	Size:mm	300*340*300		Size:mm	300*450*80
	Weight:kg	0.03		Weight:kg	0.06
	NO.	NO.30-2		NO.	NO.30-3
Remarks:HOWO HW19710			Remarks:HOWO HW19710		
KD0548			KD0549		
	Part No.	AZ2220010003		Part No.	WG2229010002

Email: ventas@sdpartsdelivery.com

Email: ventas@sdpartsdelivery.com

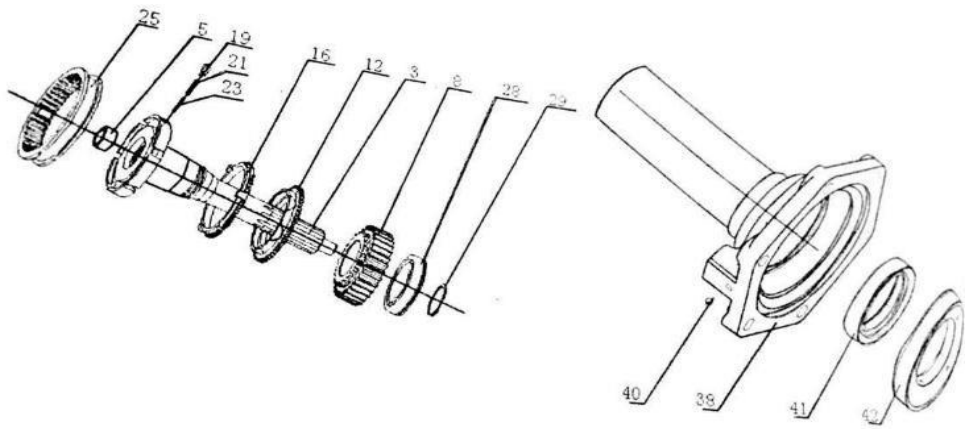




Website: <http://www.sdpartsdelivery.com>

	CH part name EN part name RU part name Size:mm Weight:kg NO.	AMT 变速器中壳 Housing gear box жилищные коробки передач 135 NO.30-3		CH part name EN part name RU part name Size:mm Weight:kg NO.	螺塞 Square head plug площадь head пробка 0.13 NO.30-6
Remarks:HOWO HW19710 AZ2203010101 9 档		Remarks:HOWO HW19710			
KD0550			KD0551		
	Part No. CH part name EN part name RU part name Size:mm Weight:kg NO.	WG2203010002 放油螺塞总成 Square head plug площадь head пробка 0.2 NO.30-16		Part No. CH part name EN part name RU part name Size:mm Weight:kg NO.	WG2229010001 定位销 Dowel шкант 0.01 NO.30-12
Remarks:HOWO HW19710		Remarks:HOWO HW19710			
KD0552			KD0553		
	Part No. CH part name EN part name RU part name Size:mm Weight:kg NO.	WG2229020005 衬套 bushing втулка 0.7 NO.31-5		Part No. CH part name EN part name RU part name Size:mm Weight:kg NO.	AZ2210020111 输入轴 Input shaft входной вал 5.3 NO.31-3
Remarks:HOWO HW19710		Remarks:HOWO HW19710			

Email: ventas@sdpartsdelivery.com

Email: ventas@sdpartsdelivery.com

Website: <http://www.sdpartsdelivery.com>

Input shaft and end cover assembly NO.31			
	KD0554		
		Part No.	AZ2210020112
		CH part name	传动主动齿轮 (低)
		EN part name	Driving drive gear (low)
		RU part name	дальнего лова (низкий)
		Size:mm	
		Weight:kg	3.5
	NO.	NO.31-8	
	Remarks:HOWO HW19710		
	KD0555		
	Part No.	WG2210020003	
	CH part name	插分档同步器锥毂	
	EN part name	Synchronizer hub	
	RU part name	конус узла	
	Size:mm		
	Weight:kg	2.9	
NO.	NO.31-12		
Remarks:HOWO HW19710			
KD0556			
	Part No.	WG2210020004	
	CH part name	插分档同步器同步环	
	EN part name	Synchronizer ring	
	RU part name	Кольцо синхронизации	
	Size:mm		
	Weight:kg	0.33	
	NO.	NO.31-16	
KD0557			
	Part No.	WG2229020001	
	CH part name	同步推块	
	EN part name	Pressure piece	
	RU part name	Упорный сухарь синхронизации	
	Size:mm		
	Weight:kg	0.02	
NO.	NO.31-19		

Email: ventas@sdpartsdelivery.com

Email: ventas@sdpartsdelivery.com

Website: <http://www.sdpartsdelivery.com>

Remarks:HOWO HW19710			Remarks:HOWO HW19710		
KD0558			KD0559		
	Part No.	WG2210020005		Part No.	WG2229020002
	CH part name	插分档同步滑套		CH part name	推块外弹簧
	EN part name	Synchronous slip sleeve		EN part name	Push block outer spring
	RU part name	синхронный Slip рукав		RU part name	толкать блок внешняя пружина
	Size:mm			Size:mm	
	Weight:kg	1.98		Weight:kg	0.01
	NO.	NO.31-25		NO.	NO.31-21
Remarks:HOWO HW19710			Remarks:HOWO HW19710		

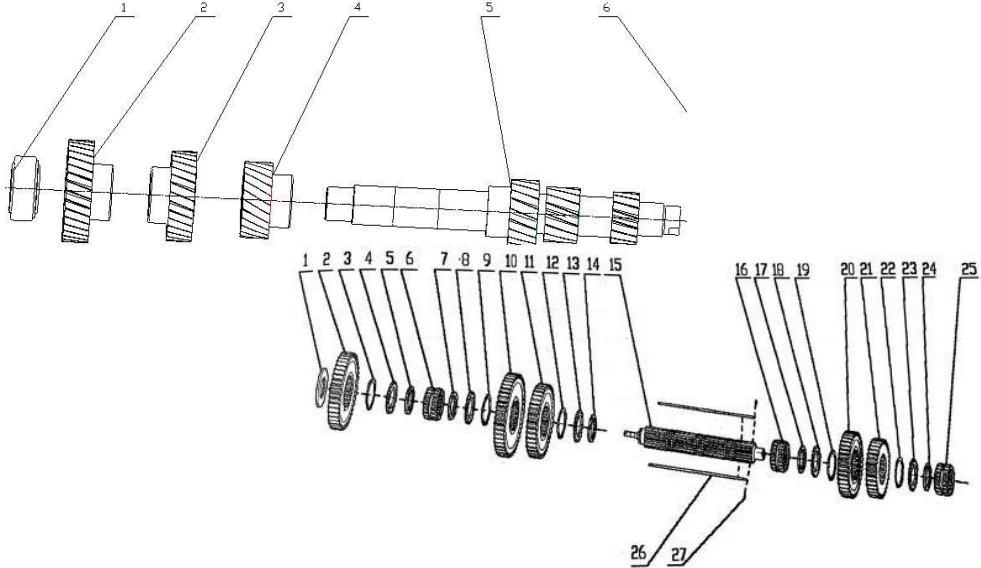

KD0560			KD0561		
	Part No.	AZ9003326213		Part No.	AZ2208020001
	CH part name	轴承		CH part name	卡簧
	EN part name	Bearing		EN part name	Stop ring
	RU part name	Роликоподшипник		RU part name	прекрати кольцо
	Size:mm	120*23		Size:mm	
	Weight:kg	1		Weight:kg	0.01
	NO.	NO.31-23		NO.	NO.31-29
Remarks:HOWO HW19710 6213N-GB/T276			Remarks:HOWO HW19710		
KD0562			KD0563		
	Part No.	AZ9003070055		Part No.	WG2222020001
	CH part name	骨架油封		CH part name	输入轴端盖
	EN part name	Skeleton oil seal		EN part name	Cover
	RU part name	скелет нефти печать		RU part name	Крышка подшипника первичного вала
	Size:mm	550*750*120		Size:mm	

Email: ventas@sdpartsdelivery.com

Email: ventas@sdpartsdelivery.com

Website: <http://www.sdpartsdelivery.com>



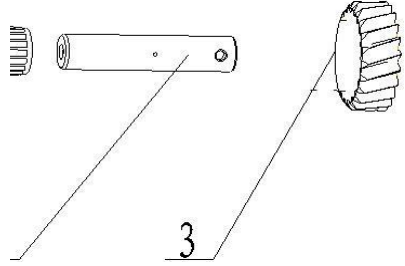


	Weight:kg	0.03
	NO.	NO.31-41
Remarks:HOWO HW19710		
KD0564		
	Part No.	WG2229020007
	CH part name	导油环
	EN part name	Oil guide ring
	RU part name	нефть руководства кольцо
	Size:mm	250x80
	Weight:kg	0.4
	NO.	NO.31-42
Remarks:HOWO HW19710		
KD0565		
	Part No.	AZ2203040001
	CH part name	主轴总成
	EN part name	Spindle assembly
	RU part name	основной вал в сборе
	Size:mm	
	Weight:kg	32
	NO.	NO.32
Remarks:HOWO HW19710		
KD0566		
	Part No.	AZ2203030001
	CH part name	副轴总成 (左)
	EN part name	Countershaft assembly (left)
	RU part name	вторичного вала Ассамблеи (слева)
	Size:mm	

	Weight:kg	2.3
	NO.	NO.31-38
Remarks:HOWO HW19710		
Countershaft/principal axis		NO.32
		
KD0567		
	Part No.	AZ2203030005
	CH part name	AMT 副轴总成 (右)
	EN part name	Countershaft assembly (right)
	RU part name	вторичного вала Ассамблеи (справа)
	Size:mm	

Email: ventas@sdpartsdelivery.com

Email: ventas@sdpartsdelivery.com


Website: <http://www.sdpartsdelivery.com>

	Weight:kg	20.5		Weight:kg	20.5
	NO.	NO.32		NO.	NO.32
Remarks:HOWO HW19710			Remarks:HOWO HW19710		
KD0568			KD0569		
	Part No.	AZ9003329309		Part No.	WG2203040009
	CH part name	圆柱滚子轴承		CH part name	主轴带球头总成
	EN part name	Cylindrical roller bearing		EN part name	Spindle head assembly
	RU part name	Цилиндрические роликовые подшипники		RU part name	глава ассамблеи
	Size:mm			Size:mm	
	Weight:kg	0.62		Weight:kg	6.8
	Price:usd	NO.32-15-27		Price:usd	NO.32-15
Remarks:HOWO HW19710			Remarks:HOWO HW19710 10 side double key		
NUP309E	Idler wheel	NO.33	KD0570		
				Part No.	AZ2210030215
				CH part name	副轴 (右)
				EN part name	Countershaft
				RU part name	вторичного вала
				Size:mm	
				Weight:kg	8.5
				NO.	NO.32-5
Remarks:HOWO HW19710 HW18710			Remarks:HOWO HW19710 HW18710		
KD0571			KD0572		
	Part No.	WG2229050001		Part No.	AZ2210030220
	CH part name	垫片		CH part name	副轴 (左)
	EN part name	Shim		EN part name	Countershaft
	RU part name	прокладка		RU part name	вторичного вала



Email: ventas@sdpartsdelivery.com

Email: ventas@sdpartsdelivery.com

Website: <http://www.sdpartsdelivery.com>



	Size:mm		Size:mm	
	Weight:kg	0.03	Weight:kg	8.5
	NO.	NO.33-6	NO.	NO.32-5
Remarks:HOWO HW19710			Remarks:HOWO HW19710 HW18710	

HW18710

KD0573			KD0574		
	Part No.	AZ9003395320		Part No.	WG2212050002
	CH part name	滚针轴承		CH part name	惰轮轴(右)
	EN part name	Needle bearing		EN part name	Idler shaft (right)
	RU part name	игольчатый подшипник		RU part name	лентяй колеса (справа)
	Size:mm			Size:mm	
	Weight:kg	0.2		Weight:kg	0.51
	NO.	NO.33-5		NO.	NO.33-4

Remarks:HOWO HW19710 HW18710

Remarks:HOWO HW19710 HW18710

KD0575			KD0576		
	Part No.	WG2212050001		Part No.	WG2210050001
	CH part name	惰轮轴(左)		CH part name	惰轮
	EN part name	Idler wheel (left)		EN part name	idler pulley
	RU part name	лентяй колеса (слева)		RU part name	лентяй
	Size:mm			Size:mm	
	Weight:kg	0.45		Weight:kg	0.85
	NO.	NO.33-4		NO.	NO.33-3

Remarks:HOWO HW19710 HW18710

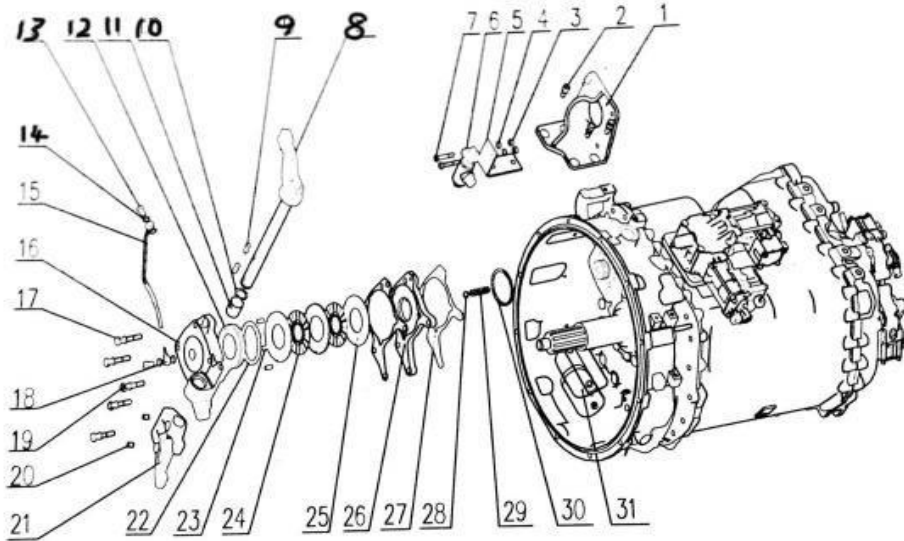
Remarks:HOWO HW19710 HW18710

Brake assembly	NO.34	KD0577		
			Part No.	AZ2203060005

Email: ventas@sdpartsdelivery.com

Email: ventas@sdpartsdelivery.com

Website: <http://www.sdpartsdelivery.com>



CH part name	端盖总成
EN part name	End cover assembly
RU part name	заглушка Ассамблеи
Size:mm	
Weight:kg	0.65
NO.	NO.34-26

Remarks:HOWO HW19710 HW18710

KD0578



Part No.	WG2229060010
CH part name	变速器制动片
EN part name	Transmission brake pad
RU part name	трансмиссия тормозной лист
Size:mm	
Weight:kg	0.3
NO.	NO.34-24

Remarks:HOWO HW19710 HW18710

KD0579



Part No.	AZ2229260025
CH part name	变速器制动支架
EN part name	Transmission brake bracket
RU part name	трансмиссия тормозной скобка
Size:mm	
Weight:kg	1.5

KD0580






Part No.	AZ2214260001
CH part name	离合器分离拨叉
EN part name	Clutch release fork
RU part name	сцепление вилка
Size:mm	
Weight:kg	0.61

Email: ventas@sdpartsdelivery.com

Email: ventas@sdpartsdelivery.com


Website: <http://www.sdpartsdelivery.com>

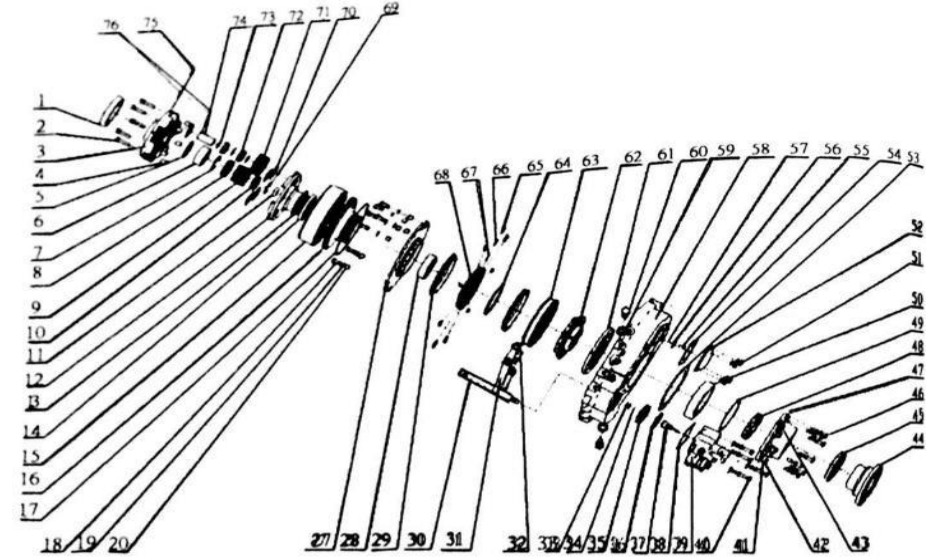
	NO.	NO.34-16		NO.	NO.34-20
Remarks:HOWO HW19710 HW18710			Remarks:HOWO HW19710 HW18710		
KD0581			KD0582		
	Part No.	AZ2229260015		Part No.	AZ2203260002
	CH part name	助力缸支架(拉式)		CH part name	拨叉轴总成
	EN part name	The power cylinder bracket (pull)		EN part name	Fork shaft assembly
	RU part name	власть цилиндра скобки		RU part name	вилка вал в сборе
	Size:mm	2300*7500		Size:mm	
	Weight:kg	0.53		Weight:kg	1.2
	NO.	NO.34-1		NO.	NO.34-8
Remarks:HOWO HW19710 HW18710			Remarks:HOWO HW19710 HW18710 9 files, 10 files, pull type		
KD0583			Range file box		NO.35
	Part No.	WG2229270004			
	CH part name	软轴支架 (拉式)			
	EN part name	Flexible shaft support (pull type)			
	RU part name	гибкого стержня поддержки (Pull типа).			
	Size:mm				
	Weight:kg	0.21			
	NO.	NO.34			
Remarks:HOWO HW19710 HW18710					


Email: ventas@sdpartsdelivery.com


Email: ventas@sdpartsdelivery.com

Website: <http://www.sdpartsdelivery.com>

KD0584		
	Part No.	AZ9003326020
	CH part name	滚动轴承
	EN part name	Rolling bearing
	RU part name	скользящий подшипник
	Size:mm	120*23
	Weight:kg	1
	NO.	NO.35-1
Remarks:HOWO HW19710 HW18710 6020 GB/T276		




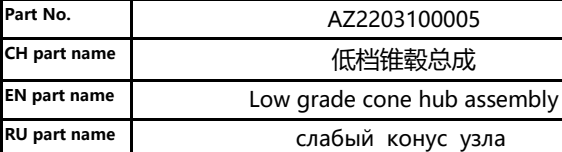
KD0585		
	Part No.	AZ2220100005
	CH part name	变速器后壳
	EN part name	Transmission rear housing
	RU part name	после передачи корпуса
	Size:mm	
	Weight:kg	19
	NO.	NO.35-58

KD0586		
	Part No.	AZ2203100030
	CH part name	AMT 范围档副箱总成
	EN part name	AMT range file sub box assembly
	RU part name	диапазон файл к коробке ассамблеи амт
	Size:mm	
	Weight:kg	90.6
	NO.	NO.35

Remarks:HOWO HW19710 HW20716

Remarks:HOWO HW19710 HW18710 9 files, 10 files, pull type AZ2203100042


KD0587		
	Part No.	AZ2225100001
	CH part name	输出轴
	EN part name	output shaft
	RU part name	выходной вал

KD0588		
	Part No.	AZ2203100005
	CH part name	低档锥毂总成
	EN part name	Low grade cone hub assembly
	RU part name	слабый конус узла

Email: ventas@sdpartsdelivery.com



Email: ventas@sdpartsdelivery.com

Website: <http://www.sdpartsdelivery.com>

	Size:mm			Size:mm	
	Weight:kg	2.98		Weight:kg	2.1
	NO.	NO.35-12		NO.	NO.35-27


Remarks:HOWO HW19710 HW18710

KD0589			KD0590		
--------	--	--	--------	--	--

	Part No.	AZ9003326322		Part No.	WG2210100005
	CH part name	滚动轴承		CH part name	内齿圈
	EN part name	Cylindrical roller bearing		EN part name	Inner ring gear
	RU part name	Цилиндрические роликовые подшипники		RU part name	внутренняя передача кольцо
	Size:mm			Size:mm	
	Weight:kg			Weight:kg	4
	NO.	NO.35-14		NO.	NO.35-15

Remarks:HOWO HW19710 HW18710 63/22 GB/T276 AZ9003991056

KD0591			KD0592		
--------	--	--	--------	--	--

	Part No.	WG2229020003		Part No.	WG2210100006
	CH part name	推块内弹簧		CH part name	齿圈支架
	EN part name	Push block spring		EN part name	Gear ring bracket
	RU part name	внутренняя пружина толкает блок		RU part name	зуб кольцо скобка
	Size:mm			Size:mm	250*80
	Weight:kg	0.01		Weight:kg	0.6
	NO.	NO.35-67		NO.	NO.35-16







Remarks:HOWO HW19710 HW18710

KD0593			KD0594		
	Part No.	WG2210100008		Part No.	AZ2229100029
	CH part name	范围档同步滑套		CH part name	范围档锁止块

Email: ventas@sdpartsdelivery.com

Email: ventas@sdpartsdelivery.com



Website: <http://www.sdpartsdelivery.com>

	EN part name RU part name Size:mm Weight:kg NO.	Synchronous slip sleeve синхронный скользящей муфты 1.99 NO.35-63		EN part name RU part name Size:mm Weight:kg NO.	Locking block замок блок 0.32 NO.35
Remarks:HOWO HW19710 HW18710			Remarks:HOWO HW19710 HW18710		
KD0595			KD0596		
	Part No. CH part name EN part name RU part name Size:mm Weight:kg NO.	WG2203100006 高档锥毂总成 High grade cone boss полноценный конус узла 3.04 NO.35-62		Part No. CH part name EN part name RU part name Size:mm Weight:kg NO.	WG2222100004 输出轴后端盖 Output shaft rear end cover выходной вал задней крышки 210*210 2.9 NO.35-47
Remarks:HOWO HW19710 HW18710			Remarks:HOWO HW19710 HW18710		
KD0597			KD0598		
	Part No. CH part name EN part name RU part name Size:mm Weight:kg NO.	AZ9003070105 骨架油封 Skeleton oil seal скелет нефти печать 105*130*14 0.06 NO.35-45		Part No. CH part name EN part name RU part name Size:mm Weight:kg NO.	WG2229100041 输出轴后端盖纸垫 Output shaft back cover paper pad выходной вал задней крышке колодка 120*120*0.1 0.002 NO.35-53
Remarks:HOWO HW19710 HW18710			Remarks:HOWO HW19710 HW18710		
KD0599			KD0600		
	Part No. CH part name	WG2214100001 范围档拨叉		Part No. CH part name	WG2210100018 输出法兰盘

Email: ventas@sdpartsdelivery.com

Email: ventas@sdpartsdelivery.com

Website: <http://www.sdpartsdelivery.com>

	EN part name	Range shift fork		EN part name	Output flange
	RU part name	диапазон смены - форк		RU part name	выходной фланец
	Size:mm	250*80		Size:mm	180*180*90
	Weight:kg			Weight:kg	
	NO.	NO.35-31		NO.	NO.35-44
Remarks:HOWO HW19710 HW18710 WG2214230001			Remarks:HOWO HW19710 HW18710		

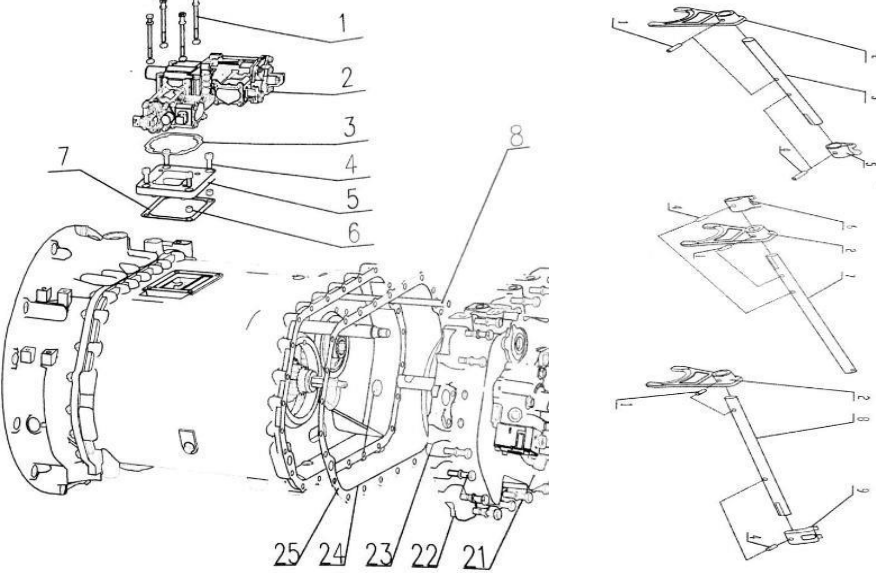


KD0601			KD0602		
	Part No.	WG2229100043		Part No.	WG2229100042
	CH part name	拨叉支撑销		CH part name	拨叉摆块
	EN part name	Shifting fork support pin		EN part name	Shifting fork
	RU part name	вилка поддержки пин		RU part name	вилка маятник блок
	Size:mm			Size:mm	
	Weight:kg	0.25		Weight:kg	0.14
	Price:usd	NO.35-60		Price:usd	NO.35-32
Remarks:HOWO HW19710 HW18710			Remarks:HOWO HW19710 HW18710		

KD0603			KD0604		
	Part No.	WG2214100002		Part No.	WG2229100050
	CH part name	范围档拨叉轴		CH part name	范围档活塞
	EN part name	Range shift fork shaft		EN part name	Range stop piston
	RU part name	диапазон файл вал вилка		RU part name	диапазон сохранения поршень
	Size:mm			Size:mm	

Email: ventas@sdpartsdelivery.com

Email: ventas@sdpartsdelivery.com

Website: <http://www.sdpartsdelivery.com>





	Weight:kg	1.05	Weight:kg	0.11														
	Price:usd	NO.35-30	Price:usd	NO.35-35														
Remarks:HOWO HW19710 HW18710 WG2212230001			Remarks:HOWO HW19710 HW18710															
10 gear small cover and pull fork assembly		NO.36																
			 <table border="1" data-bbox="1518 443 2184 855"> <tr> <td>Part No.</td> <td>WG2209100005</td> </tr> <tr> <td>CH part name</td> <td>AMT 范围挡气缸总成</td> </tr> <tr> <td>EN part name</td> <td>Range block cylinder</td> </tr> <tr> <td>RU part name</td> <td>диапазон сохранения цилиндр</td> </tr> <tr> <td>Size:mm</td> <td></td> </tr> <tr> <td>Weight:kg</td> <td>0.3</td> </tr> <tr> <td>Price:usd</td> <td>NO.35-39</td> </tr> </table>		Part No.	WG2209100005	CH part name	AMT 范围挡气缸总成	EN part name	Range block cylinder	RU part name	диапазон сохранения цилиндр	Size:mm		Weight:kg	0.3	Price:usd	NO.35-39
Part No.	WG2209100005																	
CH part name	AMT 范围挡气缸总成																	
EN part name	Range block cylinder																	
RU part name	диапазон сохранения цилиндр																	
Size:mm																		
Weight:kg	0.3																	
Price:usd	NO.35-39																	
			Remarks:HOWO HW19710 HW18710 WG2209230005															
			KD0606															
			 <table border="1" data-bbox="1518 976 2184 1390"> <tr> <td>Part No.</td> <td>WG2209210001</td> </tr> <tr> <td>CH part name</td> <td>执行机构</td> </tr> <tr> <td>EN part name</td> <td>Small cap assembly</td> </tr> <tr> <td>RU part name</td> <td>небольшой покрытия Ассамблеи</td> </tr> <tr> <td>Size:mm</td> <td></td> </tr> <tr> <td>Weight:kg</td> <td>2.1</td> </tr> <tr> <td>Price:usd</td> <td>NO.36-2</td> </tr> </table>		Part No.	WG2209210001	CH part name	执行机构	EN part name	Small cap assembly	RU part name	небольшой покрытия Ассамблеи	Size:mm		Weight:kg	2.1	Price:usd	NO.36-2
Part No.	WG2209210001																	
CH part name	执行机构																	
EN part name	Small cap assembly																	
RU part name	небольшой покрытия Ассамблеи																	
Size:mm																		
Weight:kg	2.1																	
Price:usd	NO.36-2																	

Email: ventas@sdpartsdelivery.com

Email: ventas@sdpartsdelivery.com

Website: <http://www.sdpartsdelivery.com>







Remarks:HOWO HW19710 HW18710

KD0607			KD0608		
	Part No.	AZ2229210038		Part No.	AZ2229210045
	CH part name	执行机构转接板		CH part name	执行机构转接板纸垫
	EN part name	Mechanism connecting plate		EN part name	Paper pad
	RU part name	механизм подключения Совета		RU part name	бумажная прокладка
	Size:mm			Size:mm	
	Weight:kg	1.01		Weight:kg	0.001
	Price:usd	NO.36-5		Price:usd	NO.36-3
Remarks:HOWO HW19710 HW18710			Remarks:HOWO HW19710 HW18710		
KD0609			KD0610		
	Part No.	WG2212220001		Part No.	WG2214220001
	CH part name	倒档拨叉轴		CH part name	拨叉
	EN part name	Reverse shift fork shaft		EN part name	Shift fork
	RU part name	реверсивный вал вилка		RU part name	вилка
	Size:mm			Size:mm	
	Weight:kg	0.52		Weight:kg	0.65
	NO.	NO.36-8		NO.	NO.36-2
Remarks:HOWO HW19710 HW18710			Remarks:HOWO HW19710 HW18710		
KD0611			KD0612		

Email: ventas@sdpartsdelivery.com

Email: ventas@sdpartsdelivery.com




Website: <http://www.sdpartsdelivery.com>

	Part No.	WG2214220012		Part No.	WG2214220013
	CH part name	倒挡拨块		CH part name	前进档拨块
	EN part name	Dial block		EN part name	Forward stop block
	RU part name	номер блока		RU part name	Вперед разнохивает блоков
	Size:mm			Size:mm	
	Weight:kg	0.25		Weight:kg	0.23
	NO.	NO.36-9		NO.	NO.36-5-6
Remarks:HOWO HW19710 HW18710 AZ2214220012			Remarks:HOWO HW19710 HW18710 AZ2214220013		
KD0613			KD0614		
	Part No.	WG2203250018		Part No.	WG2203250019
	CH part name	成型软管		CH part name	成型软管
	EN part name	Molding hose		EN part name	Molding hose
	RU part name	шланг		RU part name	шланг
	Size:mm	380*220*80		Size:mm	300*260*120
	Weight:kg	0.16		Weight:kg	0.15
	Price:usd	NO.37-5		Price:usd	NO.37-6
Remarks:HOWO HW19710 HW18710			Remarks:HOWO HW19710 HW18710		
KD0615			KD0616		
	Part No.	AZ2203240008		Part No.	WG9100710069
	CH part name	副箱进油管总成		CH part name	压力开关

Email: ventas@sdpartsdelivery.com

Email: ventas@sdpartsdelivery.com

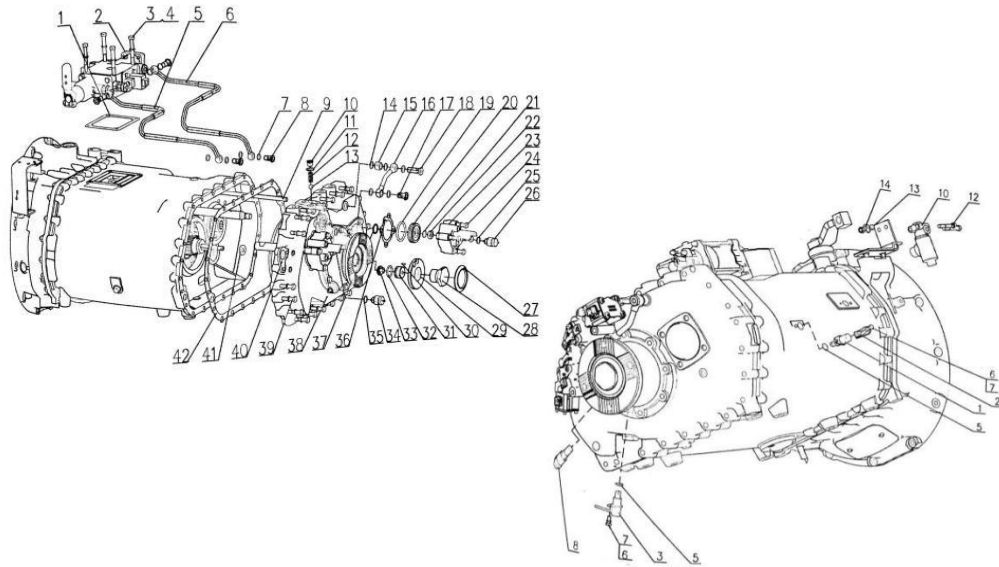
Website: <http://www.sdpartsdelivery.com>

	EN part name	Sub tank inlet pipe		EN part name	Pressure switch
	RU part name	входной трубы заместитель коробка		RU part name	переключатель давления
	Size:mm	150*20*15		Size:mm	
	Weight:kg	0.25		Weight:kg	0.05
	Price:usd	NO.37-16		Price:usd	NO.37-34
Remarks:HOWO HW19710			Remarks:HOWO HW19710		
HW18710	KD0617		HW18710	KD0618	
	Part No.	WG2209280010		Part No.	AZ2203250003
	CH part name	里程表传感器		CH part name	双 H 阀总成
	EN part name	Odometer Sensor		EN part name	Double H valve assembly
	RU part name	датчик спидометра		RU part name	двойной h клапан в сборе
	Size:mm	90*40*40		Size:mm	
	Weight:kg	0.1		Weight:kg	0.2
	Price:usd	NO.37-8		Price:usd	NO.37
Remarks:HOWO HW19710 HW18710			Remarks:HOWO HW19710 HW18710 WG2203250003		
Gearbox accessories		NO.37	KD0619		
				Part No.	WG2209280005
				CH part name	输入轴速度传感器 (AMT)
				EN part name	Input shaft speed sensor
				RU part name	входной вал датчик скорости

Email: ventas@sdpartsdelivery.com

Email: ventas@sdpartsdelivery.com

Website: <http://www.sdpartsdelivery.com>



Size:mm	380*220*80
Weight:kg	0.21
Price:usd	NO.37-2

Remarks:HOWO HW19710 HW18710

KD0620



Part No.	WG2209280006
CH part name	输出轴速度传感器(AMT)
EN part name	Output shaft speed sensor
RU part name	выходной вал датчик скорости
Size:mm	130*100*20
Weight:kg	0.21
NO.	NO.37-3

Remarks:HOWO HW19710 HW18710

KD0621		
	Part No.	VG1557090015
	CH part name	EGR 控制气缸电磁阀
	EN part name	Solenoid valve
	RU part name	электромагнитный клапан
	Size:mm	
	Weight:kg	0.35
	NO.	NO.37-10

Remarks:HOWO HW19710 HW18710



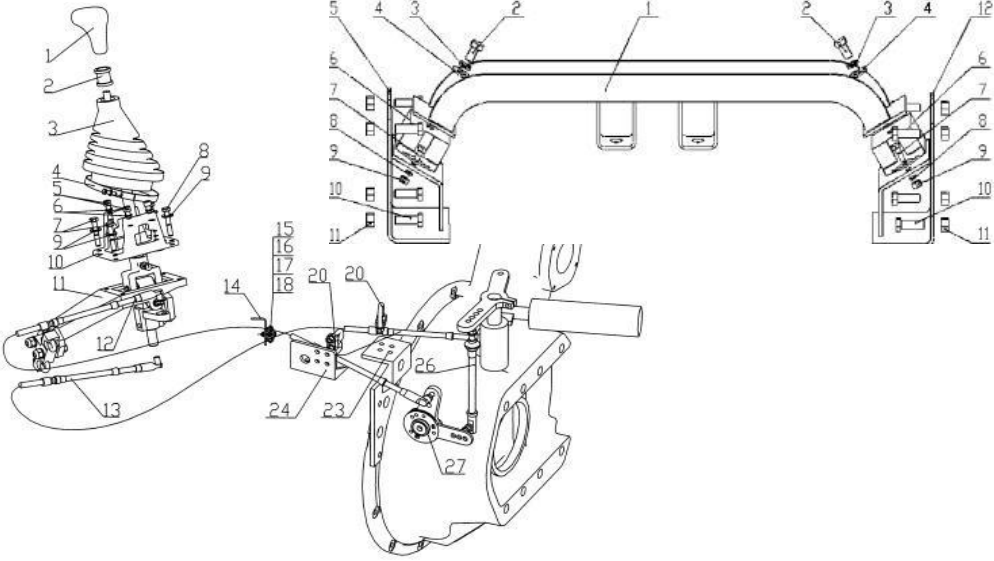


KD0622		
	Part No.	WG2229100062
	CH part name	副箱纸垫
	EN part name	Paper pad
	RU part name	бумажная прокладка
	Size:mm	
	Weight:kg	0.05
	NO.	NO.37-42

Remarks:HOWO HW19710 HW18710

Email: ventas@sdpartsdelivery.com

Email: ventas@sdpartsdelivery.com

Website: <http://www.sdpartsdelivery.com>







KD0623		KD0624																													
	<table border="1"> <tr><td>Part No.</td><td>AZ2203210040+001</td></tr> <tr><td>CH part name</td><td>10 档小盖总成</td></tr> <tr><td>EN part name</td><td>Double H device assy</td></tr> <tr><td>RU part name</td><td>двойная h устройство, астрид</td></tr> <tr><td>Size:mm</td><td></td></tr> <tr><td>Weight:kg</td><td>10.8</td></tr> <tr><td>NO.</td><td>NO.37-2</td></tr> </table>	Part No.	AZ2203210040+001	CH part name	10 档小盖总成	EN part name	Double H device assy	RU part name	двойная h устройство, астрид	Size:mm		Weight:kg	10.8	NO.	NO.37-2		<table border="1"> <tr><td>Part No.</td><td>WG2229210040</td></tr> <tr><td>CH part name</td><td>选档杆总成</td></tr> <tr><td>EN part name</td><td>Selector lever assembly</td></tr> <tr><td>RU part name</td><td>рычаг в сборе</td></tr> <tr><td>Size:mm</td><td></td></tr> <tr><td>Weight:kg</td><td>0.5</td></tr> <tr><td>NO.</td><td>NO.37</td></tr> </table>	Part No.	WG2229210040	CH part name	选档杆总成	EN part name	Selector lever assembly	RU part name	рычаг в сборе	Size:mm		Weight:kg	0.5	NO.	NO.37
Part No.	AZ2203210040+001																														
CH part name	10 档小盖总成																														
EN part name	Double H device assy																														
RU part name	двойная h устройство, астрид																														
Size:mm																															
Weight:kg	10.8																														
NO.	NO.37-2																														
Part No.	WG2229210040																														
CH part name	选档杆总成																														
EN part name	Selector lever assembly																														
RU part name	рычаг в сборе																														
Size:mm																															
Weight:kg	0.5																														
NO.	NO.37																														
Remarks:HOWO HW19710 HW18710		Remarks:HOWO HW19710 HW18710																													
GEARBOX GEAR CHANGE SYSTEM		NO.38																													
			<table border="1"> <tr><td>Part No.</td><td>WG9716240010</td></tr> <tr><td>CH part name</td><td>操纵器总成</td></tr> <tr><td>EN part name</td><td>Operator assembly</td></tr> <tr><td>RU part name</td><td>оператор ассамблеи</td></tr> <tr><td>Size:mm</td><td></td></tr> <tr><td>Weight:kg</td><td>5.1</td></tr> <tr><td>NO.</td><td>NO.38</td></tr> </table>	Part No.	WG9716240010	CH part name	操纵器总成	EN part name	Operator assembly	RU part name	оператор ассамблеи	Size:mm		Weight:kg	5.1	NO.	NO.38														
Part No.	WG9716240010																														
CH part name	操纵器总成																														
EN part name	Operator assembly																														
RU part name	оператор ассамблеи																														
Size:mm																															
Weight:kg	5.1																														
NO.	NO.38																														
Remarks:HOWO		Remarks:HOWO																													
KD0626		KD0626																													
		<table border="1"> <tr><td>Part No.</td><td>AZ9100240061</td></tr> <tr><td>CH part name</td><td>换档手柄 9 档</td></tr> <tr><td>EN part name</td><td>Gear shift knob</td></tr> <tr><td>RU part name</td><td>ручки переключения скоростей</td></tr> <tr><td>Size:mm</td><td></td></tr> <tr><td>Weight:kg</td><td>0.15</td></tr> <tr><td>NO.</td><td>NO.38-1</td></tr> </table>	Part No.	AZ9100240061	CH part name	换档手柄 9 档	EN part name	Gear shift knob	RU part name	ручки переключения скоростей	Size:mm		Weight:kg	0.15	NO.	NO.38-1															
Part No.	AZ9100240061																														
CH part name	换档手柄 9 档																														
EN part name	Gear shift knob																														
RU part name	ручки переключения скоростей																														
Size:mm																															
Weight:kg	0.15																														
NO.	NO.38-1																														

Email: ventas@sdpartsdelivery.com

Email: ventas@sdpartsdelivery.com

Website: <http://www.sdpartsdelivery.com>

Remarks:HOWO AZ9716240001

KD0627				KD0628			
	Part No.	WG9925240020			Part No.	AZ9725240102	
	CH part name	换挡手柄 10 档			CH part name	操纵器连接块	
	EN part name	Gear shift knob			EN part name	Connecting block	
	RU part name	ручки переключения скоростей			RU part name	соединительный блок	
	Size:mm				Size:mm		
	Weight:kg	0.17			Weight:kg	1.56	
	NO.	NO.38-1			NO.	NO.38-10	
Remarks:HOWO HW19710 HW18710				Remarks:HOWO WG9725240102			
KD0629				KD0630			
	Part No.	WG9725240108			Part No.	WG9725240208	
	CH part name	操纵器(左置)			CH part name	操纵器 (左置)	
	EN part name	Manipulator (left)			EN part name	Manipulator (left)	
	RU part name	манипулятор (слева)			RU part name	манипулятор (слева)	
	Size:mm				Size:mm		
	Weight:kg	3.8			Weight:kg	3.8	
	NO.	NO.38-11			NO.	NO.38-11	
Remarks:HOWO				Remarks:HOWO			
KD0631				KD0632			
	Part No.	WG9725240255			Part No.	WG9725240107	
	CH part name	操纵器(右置)			CH part name	操纵器总成(左置车)	
	EN part name	Manipulator (right)			EN part name	Manipulator (left)	
	RU part name	манипулятор (справа)			RU part name	манипулятор (слева)	
	Size:mm				Size:mm		

Email: ventas@sdpartsdelivery.com

Email: ventas@sdpartsdelivery.com

Website: <http://www.sdpartsdelivery.com>

	Weight:kg	3.8		Weight:kg	4.85
	NO.	NO.38-11		NO.	NO.38-11-2
Remarks:HOWO			Remarks:HOWO		
KD0633			KD0634		
	Part No.	AZ9719240002		Part No.	WG9719240112
	CH part name	防尘罩		CH part name	换挡软轴
	EN part name	Dust cover		EN part name	Shift flexible shaft
	RU part name	пылезащитный чехол		RU part name	переход гибкого стержня
	Size:mm			Size:mm	3200*30*50
	Weight:kg	0.25		Weight:kg	2.6
	NO.	NO.38-3		NO.	NO.38-13
Remarks:HOWO			Remarks:HOWO WG7725240238		

KD0635			KD0636		
	Part No.	WG9719240111		Part No.	WG9725240008
	CH part name	选档软轴总成		CH part name	换挡软轴
	EN part name	Profile flexible shaft		EN part name	Shift flexible shaft
	RU part name	селектор гибкий вал		RU part name	переход гибкого стержня
	Size:mm	3200*30*50		Size:mm	3450*30*50
	Weight:kg	2.6		Weight:kg	2.6
	NO.	NO.38-12		NO.	NO.38-13
Remarks:HOWO WG9725240111 WG9725240214			Remarks:HOWO WG9725240240		
KD0637			KD0638		

Email: ventas@sdpartsdelivery.com

Email: ventas@sdpartsdelivery.com

Website: <http://www.sdpartsdelivery.com>

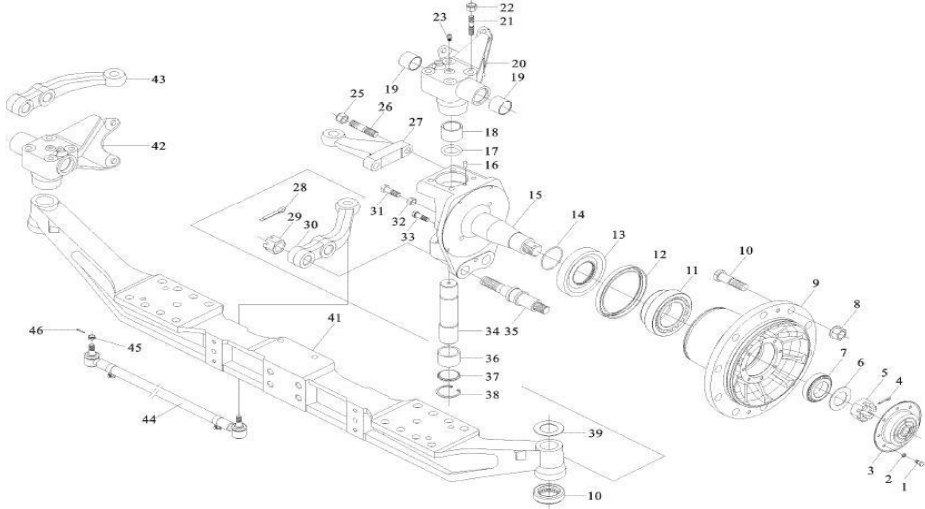


	Part No.	WG9719240007		Part No.	WG9719240117
	CH part name	选档软轴总成		CH part name	支撑杆
	EN part name	Profile flexible shaft		EN part name	Support rod
	RU part name	селектор гибкий вал		RU part name	вспомогательный стержень
	Size:mm	3450*30*50		Size:mm	
	Weight:kg	2.6		Weight:kg	0.45
	NO.	NO.38-12		NO.	NO.38-26
Remarks:HOWO AZ9719240007			Remarks:HOWO		
KD0639			KD0640		
	Part No.	AZ9725590008		Part No.	AZ9731596160
	CH part name	横梁总成		CH part name	横梁总成
	EN part name	Beam assembly		EN part name	Beam assembly
	RU part name	света Ассамблеи		RU part name	света Ассамблеи
	Size:mm			Size:mm	
	Weight:kg	8.5		Weight:kg	8.5
	Price:usd	NO.38-1		Price:usd	NO.38-1
Remarks:HOWO For 9JS180			Remarks:HOWO For 8x4 with FAST		
KD0641			KD0642		
	Part No.	AZ9725590090		Part No.	AZ9725590093
	CH part name	横梁总成		CH part name	变速器左支架总成
	EN part name	Beam assembly		EN part name	Transmission left bracket assembly

Email: ventas@sdpartsdelivery.com

Email: ventas@sdpartsdelivery.com

Website: <http://www.sdpartsdelivery.com>







	RU part name	света Ассамблеи		RU part name	привод левый кронштейн
	Size:mm			Size:mm	
	Weight:kg	8.5		Weight:kg	3.8
	Price:usd	NO.38-1		Price:usd	NO.38-5
Remarks:HOWO For QJ5S-111(150)GP			Remarks:HOWO For QJ5S-111(150)GP with Ф430 clutch		

Howo front steering axle/передняя ось HOWO, 7 тонн NO.38				KD0643			
				Part No. AZ9725596130		CH part name 变速器右支架	
				EN part name Transmission right bracket		RU part name трансмиссия правая скобки	
				Size:mm		Weight:kg 3.8	
				NO. NO.38-12		Remarks:HOWO	
KD0644				Part No. AH71141.00705		CH part name 7t 前轴总成	
				EN part name Howo front axle assy.(7T)		RU part name Передняя ось HOWO, 7 тонн	
				Size:mm 2470*480*480		Weight:kg 500	
				NO. NO.38		Remarks:HOWO 6*4 8*4	
KD0645				KD0646			

Email: ventas@sdpartsdelivery.com

Email: ventas@sdpartsdelivery.com

Website: <http://www.sdpartsdelivery.com>

	Part No.	AZ9719410103		Part No.	188000410031
	CH part name	前轴总成		CH part name	转向节销
	EN part name	Front axle(7T)		EN part name	Knuckle pin
	RU part name	Передняя ось Хово 7т в сборе		RU part name	Палец шкворня
	Size:mm	1850*170*320		Size:mm	200*47
	Weight:kg	110		Weight:kg	2.5
	Price:usd	NO.38-41		NO.	NO.38-34
Remarks:HOWO 6*4 8*4			Remarks:HOWO 6*4 8*4		
KD0647			KD0648		
	Part No.	WG880410029		Part No.	WG880410035
	CH part name	转向节衬套下		CH part name	转向节衬套
	EN part name	Lower bush		EN part name	Upper bush
	RU part name	Втулка шкворня нижняя		RU part name	Втулка шкворня верхняя
	Size:mm	43.8*57.5		Size:mm	39*52
	Weight:kg	0.19		Weight:kg	0.18
	NO.	NO.38-36		NO.	NO.38-18
Remarks:HOWO 6*4 8*4 1880410029			Remarks:HOWO 6*4 8*4 1880410035		
KD0649			KD0650		
	Part No.	199112410057		Part No.	WG880410038
	CH part name	转向节总成		CH part name	制动蹄支承销
	EN part name	Knuckle assy.		EN part name	Break hoof pin
	RU part name	Кулак поворотный в сборе		RU part name	Палец колодки
	Size:mm	320*240*370		Size:mm	200*4
	Weight:kg	24.5		Weight:kg	1.54
	NO.	NO.38-15		NO.	NO.38-35
Remarks:HOWO			Remarks:HOWO 6*4 8*4 1880410038		
KD0651			KD0652		

Email: ventas@sdpartsdelivery.com

Email: ventas@sdpartsdelivery.com

Website: <http://www.sdpartsdelivery.com>

	Part No.	199112410058		Part No.	WG880410049
	CH part name	转向节总成		CH part name	推力滚柱轴承(329910)
	EN part name	Knuckle assy.		EN part name	Bearing
	RU part name	Кулак поворотный в сборе		RU part name	Упорный роликподшипник
	Size:mm	320*240*370		Size:mm	77*47*22
	Weight:kg	24.5		Weight:kg	0.22
	NO.	NO.38-15		NO.	NO.38-10
Remarks:HOWO			Remarks:HOWO WG970041004		
KD0653			KD0654		
	Part No.	AZ9100410032		Part No.	AZ9100410036
	CH part name	左支架总成		CH part name	右支架总成
	EN part name	Left bracket assy.		EN part name	Right bracket assy.
	RU part name	Кронштейн в сборе (левый)		RU part name	Кронштейн в сборе (правый)
	Size:mm	300*200*200		Size:mm	300*200*200
	Weight:kg	7.4		Weight:kg	7.4
	NO.	NO.38-20		NO.	NO.38-42
Remarks:HOWO WG9100410032			Remarks:HOWO WG9100410036		
KD0655			KD0656		
	Part No.	WG9100410035		Part No.	WG9100340017
	CH part name	前轴衬套		CH part name	复合衬套
	EN part name	Front axle bush		EN part name	Complex bush
	RU part name	передняя ось втулка		RU part name	Сложная втулка
	Size:mm			Size:mm	44.8*35
	Weight:kg	0.08		Weight:kg	0.08
	NO.	NO.38-16		NO.	NO.38-17
Remarks:HOWO 1880410035			Remarks:HOWO		

Email: ventas@sdpartsdelivery.com

Email: ventas@sdpartsdelivery.com

Website: <http://www.sdpartsdelivery.com>



KD0657				KD0658			
	Part No.	199112410009			Part No.	AZ9100410104	
	CH part name	前轮毂			CH part name	带螺帽的前轮胎螺丝	
	EN part name	Front wheel hub assy.			EN part name	Wheel bolt	
	RU part name	Ступица передняя в сборе			RU part name	Болт колеса	
	Size:mm	365*230			Size:mm	97.6*46.5	
	Weight:kg	21.5			Weight:kg	0.48	
	NO.	NO.38-9			NO.	NO.38-18-8	
Remarks:HOWO WG9112410009				Remarks:HOWO			
KD0659				KD0660			
	Part No.	190003884160			Part No.	190003326543	
	CH part name	车轮螺母			CH part name	轮毂内轴承	
	EN part name	Nut			EN part name	Roller bearing	
	RU part name	Гайка колеса			RU part name	Конический роликоподшипник	
	Size:mm	45*25			Size:mm	150*69*57	
	Weight:kg	0.14			Weight:kg	4.3	
	NO.	NO.38-8			NO.	NO.38-11	
Remarks:HOWO WG90003884160				Remarks:HOWO 32314			
KD0661				KD0662			
	Part No.	WG9900410114			Part No.	190003326531	
	CH part name	隔环			CH part name	轮毂外轴承	
	EN part name	The spacer ring			EN part name	Roller bearing	
	RU part name	дистанционное кольцо			RU part name	Конический роликоподшипник	
	Size:mm				Size:mm	110*49*43	
	Weight:kg	1.2			Weight:kg	1.85	
	NO.	NO.38-13			NO.	NO.38-7	
Remarks:HOWO 99000410114				Remarks:HOWO 32310			

Email: ventas@sdpartsdelivery.com



Email: ventas@sdpartsdelivery.com

Website: <http://www.sdpartsdelivery.com>

KD0663				KD0664			
	Part No.	AZ9100410061			Part No.	AZ9100411140	
	CH part name	轮毂油封			CH part name	转向节锁紧螺母	
	EN part name	Front wheel seal			EN part name	Knuckle lock nut	
	RU part name	Сальник передней ступицы			RU part name	Гайка ступицы переднего колеса	
	Size:mm	140*160*12			Size:mm	66*43*24	
	Weight:kg	0.09			Weight:kg	0.29	
	NO.	NO.38-12			NO.	NO.38-5	
Remarks:HOWO 190003074387 WG90003074 87				Remarks:HOWO			

KD0665				KD0666			
	Part No.	AZ9112430003			Part No.	AZ9160410120	
	CH part name	转向横拉杆			CH part name	转向横拉杆臂(右)	
	EN part name	Tie rod			EN part name	Right tie rod arm	
	RU part name	Тяга поперечная рулевая			RU part name	Сошка поперечной рулевой тяги (правая)	
	Size:mm	1780*120*70			Size:mm	320*145*35	
	Weight:kg	9.4			Weight:kg	3.95	
	NO.	NO.39-2			NO.	NO.38-30	

Remarks:HOWO AZ9700430050 6*4 Remarks:HOWO


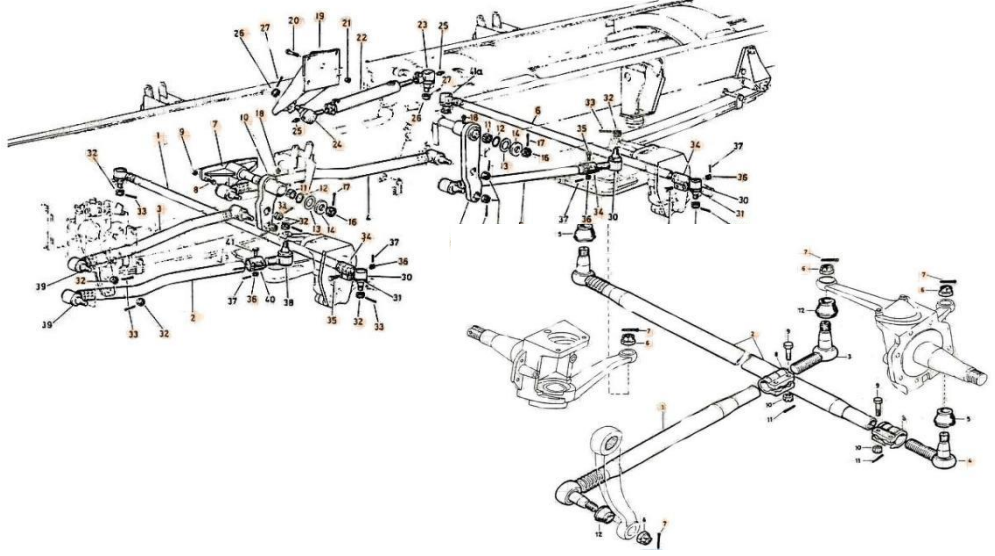

KD0667				KD0668			
	Part No.	AZ9731430002			Part No.	AZ9160410121	
	CH part name	转向横拉杆 (二轴)			CH part name	转向横拉杆臂(左)	
	EN part name	Tie rod			EN part name	Left tie rod arm	
	RU part name	Тяга поперечная рулевая			RU part name	Сошка поперечной рулевой тяги (левая)	
	Size:mm	1780*120*70			Size:mm	320*145*35	
	Weight:kg	10.35			Weight:kg	3.95	
	NO.	NO.39-6			NO.	NO.38-43	

Remarks:HOWO AZ9731430018 WG9731430002 8*4 Second axis Remarks:HOWO

Email: ventas@sdpartsdelivery.com

Email: ventas@sdpartsdelivery.com

Website: <http://www.sdpartsdelivery.com>







KD0669				8*4/6*4 STEERING LINKAGE		NO.39	
	Part No.	11031430066					
	CH part name	转向横拉杆 (一轴)					
	EN part name	Tie rod					
	RU part name	Тяга поперечная рулевая					
	Size:mm	1780*120*70					
	Weight:kg	10.35					
	NO.	NO.39-1					
Remarks:HOWO40 8*4 First axis							
KD0670							
	Part No.	AZ9731430010					
	CH part name	转向直拉杆					
	EN part name	Drag link					
	RU part name	Тяга продольная рулевая					
	Size:mm	990*120*70					
	Weight:kg	7.77					
	NO.	NO.39-2					
Remarks:HOWO 8*4							

KD0671				KD0672			
	Part No.	AZ9731430030			Part No.	AZ9731430020	
	CH part name	转向中间拉杆			CH part name	转向中间拉杆	
	EN part name	Steering intermediate rod			EN part name	Steering intermediate rod	
	RU part name	руководящий промежуточных род			RU part name	руководящий промежуточных род	
	Size:mm	1060*112*70			Size:mm	990*120*70	
	Weight:kg	6.72			Weight:kg	6.72	
	NO.	NO.39-4			NO.	NO.39-3	
Remarks:HOWO 8*4 AZ9731430130				Remarks:HOWO 8*4			

Email: ventas@sdpartsdelivery.com

Email: ventas@sdpartsdelivery.com

Website: <http://www.sdpartsdelivery.com>

KD0673				KD0674			
	Part No.	WG9014470008			Part No.	AZ9731430040	
	CH part name	动力缸(新式)			CH part name	转向直拉杆	
	EN part name	Operating cylinder			EN part name	Drag link	
	RU part name	Цилиндр гидроусилителя руля рабочий(новый образец)			RU part name	Тяга продольная рулевая	
	Size:mm	435*77.5*60			Size:mm	900*112*70	
	Weight:kg	5.09			Weight:kg	7.77	
	NO.	NO.39-22			NO.	NO.39-5	
Remarks:HOWO 8*4				Remarks:HOWO 8*4			
KD0675				KD0676			
	Part No.	WG9731470070			Part No.	AZ9731470035	
	CH part name	助力缸总成 (Φ70)			CH part name	支板总成	
	EN part name	Operating cylinder			EN part name	Support plate assembly	
	RU part name	Цилиндр гидроусилителя руля рабочий(новый образец)			RU part name	поддержка Совета Ассамблеи	
	Size:mm	480*112*82.5			Size:mm		
	Weight:kg	9.2			Weight:kg	5.3	
	NO.	NO.39-22			NO.	NO.39-7	
Remarks:HOWO 8*4				Remarks:HOWO 8*4			
KD0677				KD0678			
	Part No.	WG90 410228			Part No.	AZ9731470030	
	CH part name	滚针轴承(HK4020A)			CH part name	柄杆总成	
	EN part name	Needle bearing			EN part name	Handle rod assembly	
	RU part name	игольчатый подшипник			RU part name	ручки род Ассамблеи	
	Size:mm				Size:mm		
	Weight:kg	0.05			Weight:kg	6.8	
	Price:usd	NO.39-11			Price:usd	NO.39-10	
Remarks:HOWO 8*4				Remarks:HOWO 8*4			

Email: ventas@sdpartsdelivery.com

Email: ventas@sdpartsdelivery.com



Website: <http://www.sdpartsdelivery.com>

KD0679			KD0680		
	Part No.	AZ9118470024		Part No.	199018470016
	CH part name	动力缸球头		CH part name	柄杆总成
	EN part name	Ball joint		EN part name	Handle rod assembly
	RU part name	Наконечник рул.гидроцилиндра		RU part name	ручки род Ассамблеи
	Size:mm	114*110*62		Size:mm	
	Weight:kg	1.15		Weight:kg	9.4
	Price:usd	NO.39-24		Price:usd	NO.39-15
Remarks:HOWO 8*4			Remarks:HOWO 8*4		
KD0681			KD0682		
	Part No.	AZ9118470025		Part No.	AZ9100430218-4
	CH part name	动力缸球头		CH part name	转向横拉球头左(小)
	EN part name	Ball joint		EN part name	Left ball joint
	RU part name	Наконечник рул.гидроцилиндра		RU part name	Наконечник тяги поперечной рулевой левый
	Size:mm	114*110*62		Size:mm	153*111*61.5
	Weight:kg	1.15		Weight:kg	1.2
	Price:usd	NO.39-23		Price:usd	NO.39-30
Remarks:HOWO			Remarks:HOWO 8*4 6*4		
KD0683			KD0684		
	Part No.	199100430701		Part No.	AZ9100430218-11
	CH part name	转向直接杆球头(大)		CH part name	转向横拉球头右(小)
	EN part name	Ball joint		EN part name	Right ball joint
	RU part name	Наконечник продольной рулевой тяги правый		RU part name	Наконечник тяги поперечной рулевой правый
	Size:mm	153.5*118.5*65		Size:mm	153*111*61.5
	Weight:kg	1.4		Weight:kg	1.2
	NO.	NO.39-38		NO.	NO.39-41

Email: ventas@sdpartsdelivery.com

Email: ventas@sdpartsdelivery.com

Website: <http://www.sdpartsdelivery.com>

Remarks:HOWO 6*4 8*4			Remarks:HOWO 8*4 6*4		
KD0685			KD0686		
	Part No.	199100430704		Part No.	AH7141.600102
	CH part name	转向直接杆球头(大)		CH part name	前驱动桥
	EN part name	Ball joint		EN part name	Front drive axle
	RU part name	Наконечник продольной рулевой тяги правый		RU part name	передний привод мост
	Size:mm	153.5*118.5*65		Size:mm	
	Weight:kg	1.4		Weight:kg	
	NO.	NO.39-39		NO.	NO.40
Remarks:HOWO 6*4 8*4			Remarks:HOWO i=5.73 8*4		


KD0687			KD0688		
	Part No.	AH7141.600101		Part No.	199112410075
	CH part name	前驱动桥		CH part name	前桥壳总成
	EN part name	Front drive axle		EN part name	Front axle housing assembly
	RU part name	передний привод мост		RU part name	передняя ось скорлупы Ассамблеи
	Size:mm			Size:mm	
	Weight:kg	320		Weight:kg	189
	NO.	NO.40		NO.	NO.40-1
Remarks:HOWO i=6.72 8*4			Remarks:HOWO 8*4		
KD0689			KD0690		
	Part No.	AZ9112420001		Part No.	199000420056
	CH part name	等速万向驱动轴		CH part name	锥齿轮副
	EN part name	Constant speed universal drive shaft		EN part name	Pinion and crown wheel
	RU part name	изокинетический карданный вал		RU part name	Пара конических шестерен
	Size:mm			Size:mm	280*320

Email: ventas@sdpartsdelivery.com

Email: ventas@sdpartsdelivery.com

Website: <http://www.sdpartsdelivery.com>

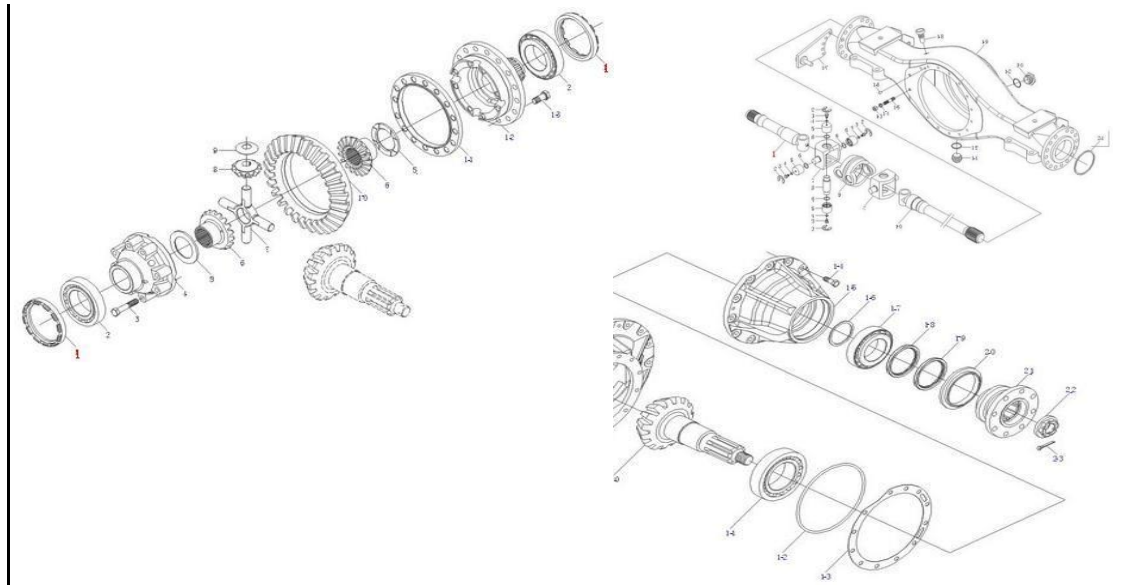
	Weight:kg	21.5		Weight:kg	22.95
	Price:usd	NO.40		NO.	NO.40-10
Remarks:HOWO WG9112420001 4*4 8*4			Remarks:HOWO 4*4 8*4 l=7.49 28/13		
KD0691			KD0692		
	Part No.	199000420058		Part No.	199000420057
	CH part name	锥齿轮副		CH part name	锥齿轮副
	EN part name	Pinion and crown wheel		EN part name	Pinion and crown wheel
	RU part name	Пара конических шестерен		RU part name	Пара конических шестерен
	Size:mm	280*320		Size:mm	280*320
	Weight:kg	22.95		Weight:kg	22.95
	NO.	NO.40-10		NO.	NO.40-10
Remarks:HOWO 4*4 8*4 l=9.48 30/11			Remarks:HOWO 4*4 8*4 l=8.4 29/12		
KD0693			KD0694		
	Part No.	199000420055		Part No.	199000420054
	CH part name	锥齿轮副		CH part name	锥齿轮副
	EN part name	Pinion and crown wheel		EN part name	Pinion and crown wheel
	RU part name	Пара конических шестерен		RU part name	Пара конических шестерен
	Size:mm	280*320		Size:mm	280*320
	Weight:kg	22.95		Weight:kg	22.95
	NO.	NO.40-10		NO.	NO.40-10
Remarks:HOWO 4*4 8*4 l=6.72 29/15			Remarks:HOWO 4*4 8*4 l=5.73 28/17		


Front drive axle 4*4 8*4		NO.40		KD0695		
					Part No.	AZ9231420047
					CH part name	前桥中段
					EN part name	Front axle reducer
					RU part name	редуктор переднего моста
					Size:mm	450*450*550


Email: ventas@sdpartsdelivery.com


Email: ventas@sdpartsdelivery.com

Website: <http://www.sdpartsdelivery.com>




	Weight:kg	110
	NO.	NO.40
Remarks:HOWO 4*4 8*4 l=5.73 l=6.72 l=8.4 l=9.48 l=7.49		
KD0696		
	Part No.	199100410007
	CH part name	前轴叉总成
	EN part name	Front axle fork assembly
	RU part name	передняя вилка Ассамблеи
	Size:mm	
	Weight:kg	5.8
	NO.	NO.41-30
Remarks:HOWO 4*4 8*4		


KD0697		
	Part No.	AZ9100410110
	CH part name	轴密封圈(外)
	EN part name	Shaft sealing ring (external)
	RU part name	вал уплотнения кольца (внешних)
	Size:mm	
	Weight:kg	0.1
	NO.	NO.41-32

KD0698		
	Part No.	190003078645
	CH part name	轴密封圈(内)
	EN part name	Shaft sealing ring (inside)
	RU part name	вал уплотнения кольца (внутри)
	Size:mm	
	Weight:kg	0.1
	NO.	NO.41-32

Remarks:HOWO 4*4 8*4

Remarks:HOWO 4*4 8*4

KD0699		
	Part No.	190003311467
	CH part name	带密封圈深沟球轴承
	EN part name	Bearing
	RU part name	принимая

KD0700		
	Part No.	99100410006XLB
	CH part name	转向节修理包
	EN part name	Steering knuckle repair kit
	RU part name	руководящий огузок аптечка

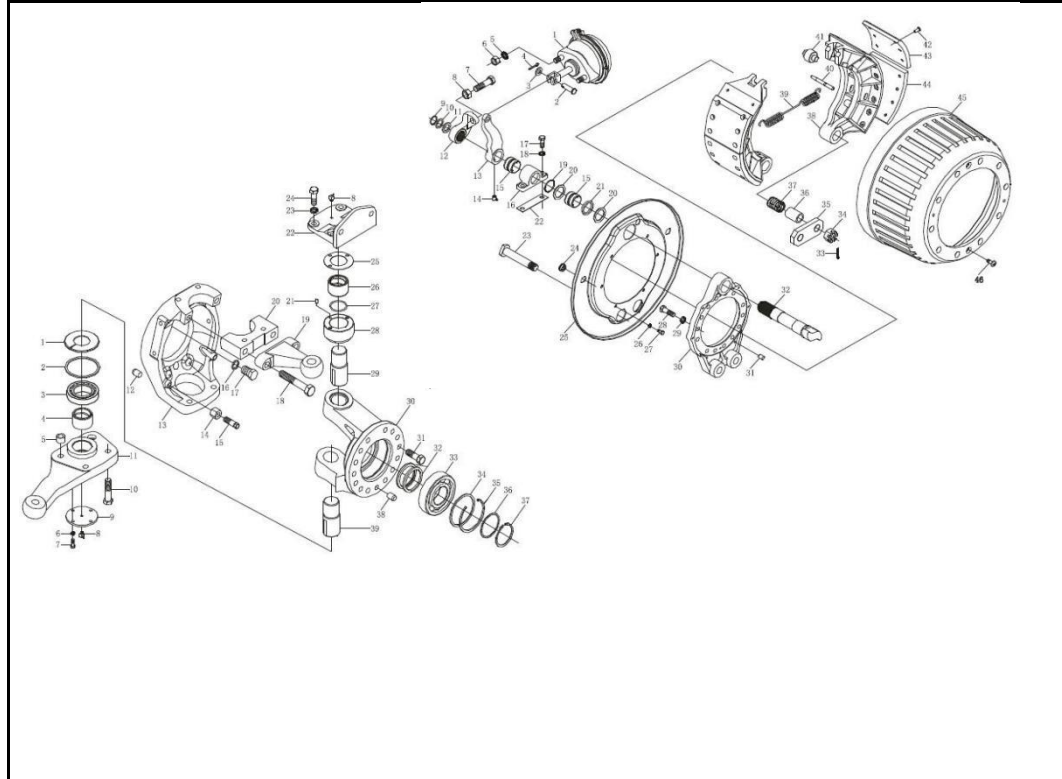
Email: ventas@sdpartsdelivery.com


Email: ventas@sdpartsdelivery.com


Website: <http://www.sdpartsdelivery.com>

	Size:mm			Size:mm	
	Weight:kg	0.68		Weight:kg	7.9
	NO.	NO.41-33		NO.	NO.41
Remarks:HOWO 4*4 8*4			Remarks:HOWO 4*4 8*4		

Front drive axle steering /braking 4*4 8*4 **NO.41**



KD0701		Part No.	99000410032
		CH part name	转向横拉杆臂总成 (L)
		EN part name	Steering cross rod arm assembly
		RU part name	руководящий креста род руку ассамблеи
		Size:mm	
		Weight:kg	3.2
		NO.	NO.41-11
Remarks:HOWO 4*4 8*4 199000410014			

KD0702		Part No.	199000410032
		CH part name	转向横拉杆臂总成 (R)
		EN part name	Steering cross rod arm assembly(
		RU part name	руководящий креста род руку ассамблеи
		Size:mm	
		Weight:kg	3.2
		NO.	NO.41-11
Remarks:HOWO 4*4 8*4 199000410015			

KD0703		
	Part No.	199112440003
	CH part name	前制动鼓

KD0704		
	Part No.	199000410031
	CH part name	制动蹄总成

Email: ventas@sdpartsdelivery.com

Email: ventas@sdpartsdelivery.com

Website: <http://www.sdpartsdelivery.com>

	EN part name	Brake friction plate		EN part name	Brake shoe
	RU part name	тормозной барабан		RU part name	тормозной башмак
	Size:mm			Size:mm	
	Weight:kg	50		Weight:kg	10.1
	NO.	NO.41-45		NO.	NO.41-38
Remarks: HOWO 4*4 8*4			Remarks: HOWO 4*4 8*4		
KD0705			KD0706		
	Part No.	1880440019		Part No.	199000440029
	CH part name	制动防尘罩		CH part name	摩擦片
	EN part name	Brake prevented dust cap		EN part name	Brake lining
	RU part name	тормоза пылезащитный чехол		RU part name	Тормозная накладка "Т"
	Size:mm			Size:mm	
	Weight:kg	2.3		Weight:kg	0.8
	NO.	NO.41-25		NO.	NO.41-44
Remarks: HOWO			Remarks: HOWO		
KD0707			KD0708		
	Part No.	WG880340039		Part No.	199000440027
	CH part name	铆钉		CH part name	摩擦片
	EN part name	Rivet		EN part name	Brake lining
	RU part name	Заклепка		RU part name	Тормозная накладка "Т"
	Size:mm	22*17		Size:mm	
	Weight:kg	0.01		Weight:kg	0.6
	NO.	NO.41-42		NO.	NO.41-43
Remarks:HOWO			Remarks:HOWO		
KD0709			KD0710		

Email: ventas@sdpartsdelivery.com

Email: ventas@sdpartsdelivery.com

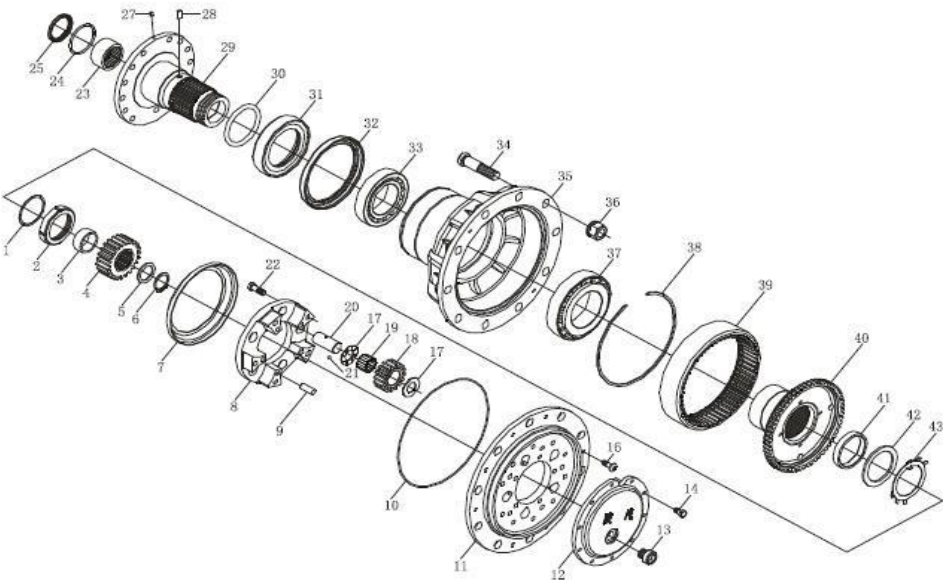






Website: <http://www.sdpartsdelivery.com>

	Part No. CH part name EN part name RU part name Size:mm Weight:kg NO.	1880440006 衬套 Bush Втулка 48*35*37 0.04 NO.41-37		Part No. CH part name EN part name RU part name Size:mm Weight:kg NO.	AZ9100340012 制动蹄回位弹簧 Brake prevented cap тормоза не кап 215*31 0.23 NO.41-39
Remarks:HOWO WG880440006			Remarks:HOWO AC16 HC16		
KD0711			KD0712		
	Part No. CH part name EN part name RU part name Size:mm Weight:kg NO.	199100360068 膜片式制动气室(L) Diaphragm brake chamber диафрагмовых тормозных камер 2.85 NO.41-1		Part No. CH part name EN part name RU part name Size:mm Weight:kg NO.	1880440032 回位弹簧销 Return spring pin Валик стяжной пружины 98*9 0.05 NO.41-40
Remarks:HOWO 199100360059 R			Remarks:HOWO		
KD0713			KD0714		
	Part No. CH part name EN part name RU part name Size:mm Weight:kg NO.	WG9200440001 前气室支架(L) Air chamber support воздушная камера поддержки 0.8 NO.41-1A		Part No. CH part name EN part name RU part name Size:mm Weight:kg NO.	WG9200440002 前制动室支架 (R) Air chamber support воздушная камера поддержки 0.8 NO.41-1A
Remarks:HOWO AZ9200440001			Remarks:HOWO AZ9200440002		

Email: ventas@sdpartsdelivery.com

Email: ventas@sdpartsdelivery.com

Website: <http://www.sdpartsdelivery.com>

Wheel planetary differential 4*4 8*4		NO.42		KD0715			
						Part No.	WG9100340017
						CH part name	复合衬套
						EN part name	Composite bush
						RU part name	втулка
						Size:mm	
						Weight:kg	0.02
						NO.	NO.41-15
Remarks:HOWO				KD0716			
				Part No.	WG9100340056		
				CH part name	间隙调整臂		
				EN part name	Left brake adjuster		
				RU part name	Регулировочный рычаг тормоза (левый)		
				Size:mm	225*115*90		
				Weight:kg	2.9		
				NO.	NO.41-12		
Remarks:HOWO				KD0717			
		Part No.	1880410076				
		CH part name	前桥轴端				
		EN part name	Front axle wheel end				
		RU part name	передняя ось колеса конец				
		Size:mm					
		Weight:kg	3.5				
		NO.	NO.42-29				
Remarks:HOWO				KD0718			
		Part No.	WG9100340057				
		CH part name	间隙调整臂				
		EN part name	Right brake adjuster				
		RU part name	Регулировочный рычаг тормоза (правый)				
		Size:mm	225*115*90				
		Weight:kg	2.9				
		NO.	NO.41-12				
Remarks:HOWO				Remarks:HOWO			

Email: ventas@sdpartsdelivery.com



Email: ventas@sdpartsdelivery.com

Website: <http://www.sdpartsdelivery.com>

KD0719			KD0720		
	Part No.	1880410069		Part No.	WG880440022
	CH part name	滚针轴承		CH part name	凸轮轴支架
	EN part name	Needle gear		EN part name	Bearer
	RU part name	игольчатый подшипник		RU part name	на предъявителя
	Size:mm			Size:mm	
	Weight:kg	0.2		Weight:kg	0.51
	NO.	NO.42-23		NO.	NO.41-16
Remarks:HOWO			Remarks:HOWO		

KD0721			KD0722		
	Part No.	199000420019		Part No.	1880440024
	CH part name	行星架凸缘总成		CH part name	制动凸轮轴(R)
	EN part name	Planetary bracket (flange) assembly		EN part name	Right brake camshaft
	RU part name	планетарная скобки (фланец) ассамбля		RU part name	Кулачковый вал заднего тормоза правый
	Size:mm			Size:mm	
	Weight:kg	19.8		Weight:kg	3.8
	NO.	NO.42-11		NO.	NO.41-32

Remarks:HOWO 4*4 8*4

KD0723			KD0724		
	Part No.	199000420052		Part No.	1880440023
	CH part name	前轮毂		CH part name	制动凸轮轴(L)
	EN part name	Front hub		EN part name	Left brake camshaft
	RU part name	отдел снабжения		RU part name	Кулачковый вал заднего тормоза левый
	Size:mm			Size:mm	
	Weight:kg	19.5		Weight:kg	3.8
	NO.	NO.42-35		NO.	NO.41-32

Email: ventas@sdpartsdelivery.com

Email: ventas@sdpartsdelivery.com

Website: <http://www.sdpartsdelivery.com>

Remarks:HOWO 4*4 8*4			Remarks:HOWO		
KD0725			KD0726		
	Part No.	199000410103		Part No.	199000340027
	CH part name	轮胎螺栓		CH part name	滚轮
	EN part name	Wheel bolt		EN part name	Roller
	RU part name	Болт колеса		RU part name	Ролик
	Size:mm			Size:mm	
	Weight:kg	0.45		Weight:kg	0.32
	NO.	NO.42-34		NO.	NO.41-41
Remarks:HOWO 4*4 8*4			Remarks:HOWO HC16 AC16		
KD0727			KD0728		
	Part No.	1880420028		Part No.	AZ9100410015
	CH part name	隔环		CH part name	轴密封圈
	EN part name	Caulking ring		EN part name	Sealing ring for shaft
	RU part name	уплотнение кольцо		RU part name	вал с уплотнительный кольцо
	Size:mm			Size:mm	
	Weight:kg	0.58		Weight:kg	0.1
	NO.	NO.42-31		NO.	NO.42-32
Remarks:HOWO 4*4 8*4			Remarks:HOWO 4*4 8*4		
KD0729			KD0730		
	Part No.	190003326443		Part No.	190003326445
	CH part name	轮毂内轴承		CH part name	轮毂外轴承
	EN part name	Row tapered roller bearing		EN part name	Row tapered roller bearing
	RU part name	конические роликовые подшипники		RU part name	конические роликовые подшипники

Email: ventas@sdpartsdelivery.com

Email: ventas@sdpartsdelivery.com



Website: <http://www.sdpartsdelivery.com>

	Size:mm			Size:mm	
	Weight:kg	5.6		Weight:kg	6.3
	NO.	NO.42-33		NO.	NO.42-37
Remarks:HOWO 32020GB / T297—94			Remarks:HOWO 32022GB / T297—94		
KD0731			KD0732		
	Part No.	199112340021		Part No.	199000420049
	CH part name	齿圈支架		CH part name	内齿圈
	EN part name	Gear ring bearer		EN part name	Inside gear ring
	RU part name	передача кольца		RU part name	в передаче кольца
	Size:mm	300*300*130		Size:mm	
	Weight:kg	4		Weight:kg	4
	NO.	NO.42-40		NO.	NO.42-39
Remarks:HOWO 4*4 8*4			Remarks:HOWO 4*4 8*4 Z=57		
KD0733			KD0734		
	Part No.	199112340001		Part No.	AH40HY092.S1100
	CH part name	端盖		CH part name	盘式前桥
	EN part name	Cover		EN part name	Disc front axle
	RU part name	Крышка планетпрного потрона		RU part name	дисковый передней оси
	Size:mm	235*20		Size:mm	
	Weight:kg	2.6		Weight:kg	185
	NO.	NO.42-43		NO.	NO.43

Email: ventas@sdpartsdelivery.com

Email: ventas@sdpartsdelivery.com

Website: <http://www.sdpartsdelivery.com>

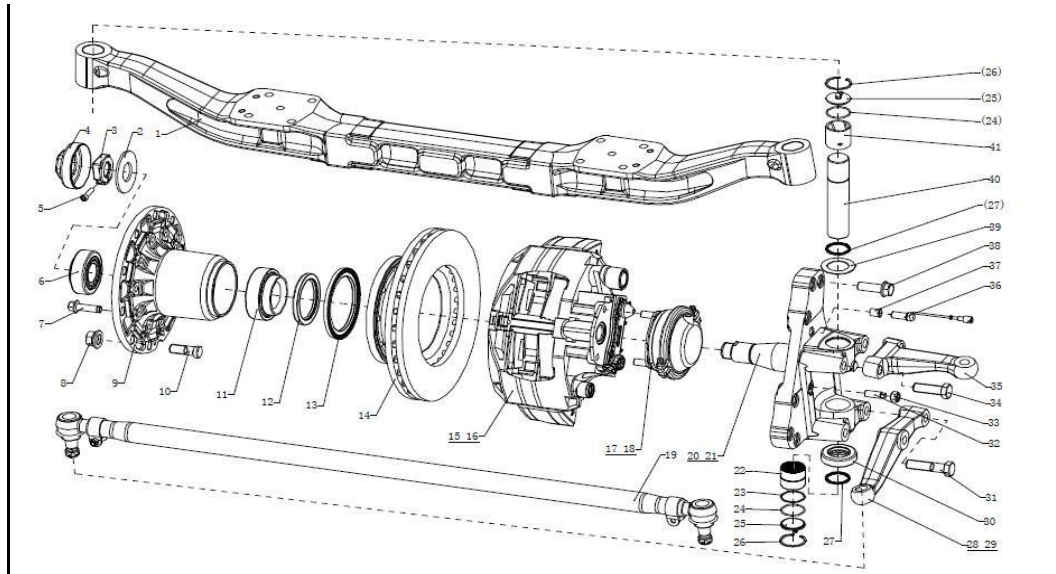
Remarks:HOWO			Remarks:HOWO 7.5t 9.5t		
KD0735			KD0736		
	Part No.	AZ9100413007		Part No.	AZ9900410083
	CH part name	前轴 9t		CH part name	前轴 7t
	EN part name	Front axle		EN part name	Front axle
	RU part name	передняя ось		RU part name	передняя ось
	Size:mm	850		Size:mm	850
	Weight:kg	30		Weight:kg	30
	NO.	NO.43-1		NO.	NO.43-1
Remarks:HOWO AZ9719410092(Leaf spring spacing 900)			Remarks:HOWO AZ9719410090(Leaf spring spacing 900)		

Front axle HR7/HR9 ABS		NO.43		KD0737		
					Part No.	WG9100411035
					CH part name	衬套
					EN part name	Bushing
					RU part name	ПИТАНИЯ
					Size:mm	
					Weight:kg	0.05
					NO.	NO.43-22
Remarks:HOWO						
				KD0738		
					Part No.	AZ9100413045
					CH part name	转向节销
					EN part name	Knuckle pin

Email: ventas@sdpartsdelivery.com

Email: ventas@sdpartsdelivery.com

Website: <http://www.sdpartsdelivery.com>



RU part name	
Size:mm	
Weight:kg	2.45
NO.	NO.43-40

Remarks:HOWO

KD0739		
	Part No.	AZ9100413045XLB
	CH part name	转向节修理包
	EN part name	Steering knuckle repair kit
	RU part name	руководящий огузок аптечка
	Size:mm	
	Weight:kg	7.5
	NO.	NO.43

KD0740		
	Part No.	WG9700411049
	CH part name	前轴推力轴承
	EN part name	Front axle thrust bearing
	RU part name	упорный подшипник передней оси
	Size:mm	
	Weight:kg	0.22
	NO.	NO.43-30

Remarks:HOWO

Remarks:HOWO

KD0741		
	Part No.	AZ9719413003
	CH part name	转向横拉杆臂(左)
	EN part name	Tie rod arm(left)
	RU part name	галстук род ARM (слева)



KD0742		
	Part No.	AZ9719413004
	CH part name	转向横拉杆臂(右)
	EN part name	Tie rod arm(right)
	RU part name	галстук род руку (справа)



Email: ventas@sdpartsdelivery.com


Email: ventas@sdpartsdelivery.com

Website: <http://www.sdpartsdelivery.com>

	Size:mm		Size:mm		
	Weight:kg	3.95	Weight:kg	3.95	
	NO.	NO.43-28	NO.	NO.43-29	
Remarks:HOWO			Remarks:HOWO		

KD0743			KD0744		
	Part No.	WG9112410019		Part No.	WG9003074387
	CH part name	齿圈		CH part name	轴密封圈
	EN part name	Annulus ring		EN part name	Sealing ring for shaft
	RU part name	кольцо, кольцо		RU part name	вал с уплотнительный кольцо
	Size:mm			Size:mm	
	Weight:kg	0.6		Weight:kg	0.1
	NO.	NO.43-13		NO.	NO.43-12
Remarks:HOWO			Remarks:HOWO		

KD0745			KD0746		
	Part No.	WG9100411014		Part No.	WG9100411010
	CH part name	轮毂内轴承		CH part name	轮毂外轴承
	EN part name	Row tapered roller bearing		EN part name	Row tapered roller bearing
	RU part name	конические роликовые подшипники		RU part name	конические роликовые подшипники
	Size:mm	150*69*57		Size:mm	
	Weight:kg	4.3		Weight:kg	6.2
	NO.	NO.43-11		NO.	NO.43-6
Remarks:HOWO 32314			Remarks:HOWO 7614EK		

KD0747			KD0748		
	Part No.	WG9100410212		Part No.	AZ9100412211
	CH part name	车轮螺栓		CH part name	前轮毂
	EN part name	Wheel bolt		EN part name	Front hub

Email: ventas@sdpartsdelivery.com

Email: ventas@sdpartsdelivery.com





Website: <http://www.sdpartsdelivery.com>

	RU part name	КОЛЕСО ВОЛЬТ		RU part name	ступица
	Size:mm			Size:mm	
	Weight:kg	0.45		Weight:kg	21
	NO.	NO.43-10		NO.	NO.43-9
Remarks:HOWO			Remarks:HOWO		
KD0749			KD0750		
	Part No.	WG9003884160		Part No.	AZ9719411011
	CH part name	车轮螺母		CH part name	转向节臂
	EN part name	Nut		EN part name	Steering knuckle Arm
	RU part name	гайка		RU part name	руководящий руку
	Size:mm	55*55*30		Size:mm	
	Weight:kg	0.163		Weight:kg	1.53
	NO.	NO.43-8		NO.	NO.43-35
Remarks:HOWO			Remarks:HOWO		
KD0751			KD0752		
	Part No.	AZ9100413003		Part No.	AZ9100413002
	CH part name	转向节(右)		CH part name	转向节(左)
	EN part name	Steering knuckle		EN part name	Steering knuckle
	RU part name	орузок		RU part name	орузок
	Size:mm	350*250*370		Size:mm	350*250*370
	Weight:kg	25.5		Weight:kg	25.5
	NO.	NO.43-21		NO.	NO.43-20
Remarks:HOWO			Remarks:HOWO		
KD0753			KD0754		
	Part No.	WG9100360410		Part No.	WG9100360420
	CH part name	前左制动气室 22"		CH part name	前右制动气室 22"

Email: ventas@sdpartsdelivery.com

Email: ventas@sdpartsdelivery.com

Website: <http://www.sdpartsdelivery.com>

	EN part name	Front-left Air Chamber 24 Inch		EN part name	Front-right Air Chamber 24 Inch
	RU part name	тормозная камера		RU part name	тормозная камера
	Size:mm			Size:mm	
	Weight:kg	3.1		Weight:kg	3.1
	NO.	NO.43-17		NO.	NO.43-18
Remarks:HOWO			Remarks:HOWO		
KD0755			KD0756		
	Part No.	AZ9100443300		Part No.	AZ9100443400
	CH part name	制动钳(左)		CH part name	制动钳(右)
	EN part name	Brake caliper(left)		EN part name	Brake caliper(right)
	RU part name	штангенциркуль		RU part name	штангенциркуль
	Size:mm			Size:mm	
	Weight:kg	30		Weight:kg	30
	NO.	NO.43-15		NO.	NO.43-16
Remarks:HOWO			Remarks:HOWO		
KD0757			KD0758		
	Part No.	WG9100443050		Part No.	WG9100443001
	CH part name	盘式制动块总成		CH part name	制动盘
	EN part name	Pad Assembly		EN part name	Brake disc
	RU part name	PAD ассамблеи		RU part name	тормозной диск
	Size:mm	400*150*100		Size:mm	450*450*120
	Weight:kg	0.52		Weight:kg	31.75
	NO.	NO.43		NO.	NO.43-14
Remarks:HOWO			Remarks:HOWO		
KD0759			KD0760		
	Part No.	AH71131540953		Part No.	AZ9231330990

Email: ventas@sdpartsdelivery.com

Email: ventas@sdpartsdelivery.com

Website: <http://www.sdpartsdelivery.com>





	<table border="1"> <tr><td>CH part name</td><td>三段式铸造中桥总成</td></tr> <tr><td>EN part name</td><td>First rear axle</td></tr> <tr><td>RU part name</td><td>Средний ведущий мост в сборе</td></tr> <tr><td>Size:mm</td><td>1850</td></tr> <tr><td>Weight:kg</td><td>840</td></tr> <tr><td>NO.</td><td>NO.44</td></tr> </table>	CH part name	三段式铸造中桥总成	EN part name	First rear axle	RU part name	Средний ведущий мост в сборе	Size:mm	1850	Weight:kg	840	NO.	NO.44		<table border="1"> <tr><td>CH part name</td><td>三段式铸造中桥壳总成</td></tr> <tr><td>EN part name</td><td>First rear axle housing</td></tr> <tr><td>RU part name</td><td>Картер среднего моста в сборе</td></tr> <tr><td>Size:mm</td><td>2100*415*260</td></tr> <tr><td>Weight:kg</td><td>220</td></tr> <tr><td>NO.</td><td>NO.44-1</td></tr> </table>	CH part name	三段式铸造中桥壳总成	EN part name	First rear axle housing	RU part name	Картер среднего моста в сборе	Size:mm	2100*415*260	Weight:kg	220	NO.	NO.44-1				
CH part name	三段式铸造中桥总成																														
EN part name	First rear axle																														
RU part name	Средний ведущий мост в сборе																														
Size:mm	1850																														
Weight:kg	840																														
NO.	NO.44																														
CH part name	三段式铸造中桥壳总成																														
EN part name	First rear axle housing																														
RU part name	Картер среднего моста в сборе																														
Size:mm	2100*415*260																														
Weight:kg	220																														
NO.	NO.44-1																														
Remarks:HOWO AH71131542971 I=4.8		Remarks:HOWO HC16																													
KD0761		KD0762																													
	<table border="1"> <tr><td>Part No.</td><td>WG9014320120</td></tr> <tr><td>CH part name</td><td>主减速器壳</td></tr> <tr><td>EN part name</td><td>Housing of 1st rear axle drive</td></tr> <tr><td>RU part name</td><td>Картер главной передачи</td></tr> <tr><td>Size:mm</td><td>450*375*280</td></tr> <tr><td>Weight:kg</td><td>29.13</td></tr> <tr><td>NO.</td><td>NO.44-1</td></tr> </table>	Part No.	WG9014320120	CH part name	主减速器壳	EN part name	Housing of 1st rear axle drive	RU part name	Картер главной передачи	Size:mm	450*375*280	Weight:kg	29.13	NO.	NO.44-1		<table border="1"> <tr><td>Part No.</td><td>AZ9631320211</td></tr> <tr><td>CH part name</td><td>中桥主减速器总成(28/17)</td></tr> <tr><td>EN part name</td><td>Rear axle drive</td></tr> <tr><td>RU part name</td><td>Редуктор среднего моста</td></tr> <tr><td>Size:mm</td><td>550*450*550</td></tr> <tr><td>Weight:kg</td><td>150</td></tr> <tr><td>NO.</td><td>NO.44</td></tr> </table>	Part No.	AZ9631320211	CH part name	中桥主减速器总成(28/17)	EN part name	Rear axle drive	RU part name	Редуктор среднего моста	Size:mm	550*450*550	Weight:kg	150	NO.	NO.44
Part No.	WG9014320120																														
CH part name	主减速器壳																														
EN part name	Housing of 1st rear axle drive																														
RU part name	Картер главной передачи																														
Size:mm	450*375*280																														
Weight:kg	29.13																														
NO.	NO.44-1																														
Part No.	AZ9631320211																														
CH part name	中桥主减速器总成(28/17)																														
EN part name	Rear axle drive																														
RU part name	Редуктор среднего моста																														
Size:mm	550*450*550																														
Weight:kg	150																														
NO.	NO.44																														
Remarks:HOWO 199014320120		Remarks:HOWO I=5.73 I=4.8																													
KD0763		KD0764																													
	<table border="1"> <tr><td>Part No.</td><td>AZ9231320259</td></tr> <tr><td>CH part name</td><td>过桥箱</td></tr> <tr><td>EN part name</td><td>Housing</td></tr> <tr><td>RU part name</td><td>Картер редуктора</td></tr> <tr><td>Size:mm</td><td>460*285*190</td></tr> <tr><td>Weight:kg</td><td>34</td></tr> <tr><td>NO.</td><td>NO.44-19</td></tr> </table>	Part No.	AZ9231320259	CH part name	过桥箱	EN part name	Housing	RU part name	Картер редуктора	Size:mm	460*285*190	Weight:kg	34	NO.	NO.44-19		<table border="1"> <tr><td>Part No.</td><td>190003989290</td></tr> <tr><td>CH part name</td><td>碗形堵塞</td></tr> <tr><td>EN part name</td><td>Croe plug</td></tr> <tr><td>RU part name</td><td>пробка</td></tr> <tr><td>Size:mm</td><td></td></tr> <tr><td>Weight:kg</td><td>0.01</td></tr> <tr><td>NO.</td><td>NO.44-6</td></tr> </table>	Part No.	190003989290	CH part name	碗形堵塞	EN part name	Croe plug	RU part name	пробка	Size:mm		Weight:kg	0.01	NO.	NO.44-6
Part No.	AZ9231320259																														
CH part name	过桥箱																														
EN part name	Housing																														
RU part name	Картер редуктора																														
Size:mm	460*285*190																														
Weight:kg	34																														
NO.	NO.44-19																														
Part No.	190003989290																														
CH part name	碗形堵塞																														
EN part name	Croe plug																														
RU part name	пробка																														
Size:mm																															
Weight:kg	0.01																														
NO.	NO.44-6																														
Remarks:HOWO		Remarks:HOWO																													
KD0765		KD0766																													
	Part No. AZ9231320264		Part No. WG9231330105																												

Email: ventas@sdpartsdelivery.com

Email: ventas@sdpartsdelivery.com

Website: <http://www.sdpartsdelivery.com>

	CH part name	过桥箱盖		CH part name	通气塞
	EN part name	Cross axle box cover		EN part name	Breather
	RU part name	Крышка картера редуктора		RU part name	передышку
	Size:mm	460*180*125		Size:mm	
	Weight:kg	12.13		Weight:kg	0.01
	NO.	NO.44-20		NO.	NO.44-7
Remarks:HOWO			Remarks:HOWO		

KD0767				KD0768			
	Part No.	WG9014320175		Part No.	WG9014320174		
	CH part name	端盖		CH part name	挡油盘		
	EN part name	Cover		EN part name	Oil baffle		
	RU part name	Крышка подшипника		RU part name	маслоотражатель		
	Size:mm	179*179*36		Size:mm			
	Weight:kg	1.3		Weight:kg	0.01		
	NO.	NO.44-19		NO.	NO.44-38		
Remarks:HOWO 199014320175			Remarks:HOWO				
KD0769				KD0770			
	Part No.	AZ9231320272		Part No.	WG9014330126		
	CH part name	差速器壳		CH part name	操纵杆		
	EN part name	Diff. housing		EN part name	Lever		
	RU part name	Картер дифференциала		RU part name	джойстик		
	Size:mm	265*255		Size:mm			
	Weight:kg	15		Weight:kg	0.56		
	NO.	NO.44-2		NO.	NO.44-16		
Remarks:HOWO 199014320165			Remarks:HOWO				

Email: ventas@sdpartsdelivery.com

Email: ventas@sdpartsdelivery.com

Website: <http://www.sdpartsdelivery.com>

Bridge shell/ First rear axle drive NO.44		KD0771			
			Part No.	WG9231340042	
			CH part name	气室支架	
			EN part name	Bracket	
			RU part name	кронштейн	
			Size:mm		
			Weight:kg	5	
			NO.	NO.44-26	
	Remarks:HOWO				
				Part No.	WG9014330147
				CH part name	弓形固定卡总成(上)
		EN part name		Connecting clip above	
		RU part name		подключение клип выше	
		Size:mm			
		Weight:kg		0.54	
		NO.		NO.44-10	
Remarks:HOWO					

KD0773		KD0774			
	Part No.	AZ9231320150		Part No.	WG9014330146
	CH part name	十字轴		CH part name	弓形固定卡总成(下)
	EN part name	Spider		EN part name	Connecting clip below
	RU part name	Крестовина дифференциала		RU part name	подключение клип ниже
	Size:mm	185*185*27		Size:mm	
	Weight:kg	1.39		Weight:kg	0.54
	NO.	NO.44-3		NO.	NO.44-9

Email: ventas@sdpartsdelivery.com

Email: ventas@sdpartsdelivery.com

Website: <http://www.sdpartsdelivery.com>

Remarks:HOWO			Remarks:HOWO		
KD0775			KD0776		
	Part No.	199014320091		Part No.	199012320009
	CH part name	十字轴		CH part name	半轴齿轮
	EN part name	Spider		EN part name	Drive shaft bevel pinion
	RU part name	Крестовина дифференциала		RU part name	Шестерня межосевого дифференциала
	Size:mm	185*185*24		Size:mm	120*54*67
	Weight:kg	1.39		Weight:kg	1.33
	NO.	NO.44-3		NO.	NO.44-4
Remarks:HOWO WG9014320091			Remarks:HOWO		
KD0777			KD0778		
	Part No.	WG9231320152		Part No.	WG9231320151
	CH part name	行星齿轮		CH part name	半轴齿轮
	EN part name	Planetary gear		EN part name	Drive shaft bevel pinion
	RU part name	Шестерня дифференциала		RU part name	Шестерня межосевого дифференциала
	Size:mm	80*80*30		Size:mm	
	Weight:kg	0.6		Weight:kg	1.33
	NO.	NO.44-5		NO.	NO.44-4
Remarks:HOWO D=27			Remarks:HOWO		
KD0779			KD0780		
	Part No.	199012320010		Part No.	WG9231320153
	CH part name	行星齿轮		CH part name	行星齿轮垫片
	EN part name	Planetary gear		EN part name	Washer
	RU part name	Шестерня дифференциала		RU part name	Шайба шестерни дифференциала
	Size:mm	80*80*30		Size:mm	80*80*1
	Weight:kg	0.6		Weight:kg	0.01
	NO.	NO.44-5		NO.	NO.44-6

Email: ventas@sdpartsdelivery.com

Email: ventas@sdpartsdelivery.com

Website: <http://www.sdpartsdelivery.com>


Remarks:HOWO AZ9012320010 D=24	Remarks:HOWO D=27
--------------------------------	-------------------

KD0781				KD0782			
	Part No.	1880 320012			Part No.	199012320150	
	CH part name	半轴齿轮垫片			CH part name	行星齿轮垫片	
	EN part name	Drive shaft gear washer			EN part name	Washer	
	RU part name	Шайба дифференциала передняя			RU part name	Шайба шестерни дифференциала	
	Size:mm	110*110*3			Size:mm	80*80*1	
	Weight:kg	0.08			Weight:kg	0.01	
	NO.	NO.44-7			NO.	NO.44-6	
Remarks:HOWO				Remarks:HOWO D=24			
KD0783				KD0784			
	Part No.	AZ9231320154-158			Part No.	WG9114320251	
	CH part name	调整垫片			CH part name	锥齿轮副 28/17	
	EN part name	Drive shaft gear washer			EN part name	Pinion and crown wheel	
	RU part name	Шайба дифференциала передняя			RU part name	рейкой и зубчатого колеса	
	Size:mm	110*110*3			Size:mm		
	Weight:kg	0.08			Weight:kg	22	
	NO.	NO.44-7			NO.	NO.44-10	
Remarks:HOWO				Remarks:HOWO AZ9114320251			
KD0785				KD0786			
	Part No.	190003326148			Part No.	WG9014320136	
	CH part name	圆锥滚子轴承			CH part name	主动圆柱齿轮	
	EN part name	Roller bearing			EN part name	Drive gear	
	RU part name	Конический роликоподшипник			RU part name	Ведущая цилиндрическая шестерня	
	Size:mm	165*80*62			Size:mm	205*62*45	
	Weight:kg	3.7			Weight:kg	6.2	

Email: ventas@sdpartsdelivery.com

Email: ventas@sdpartsdelivery.com

Website: <http://www.sdpartsdelivery.com>

	NO.	NO.44-14		NO.	NO.44-33
Remarks:HOWO 32216GB/T297-94			Remarks:HOWO HC16		
KD0787			KD0788		
	Part No.	WG9014320257		Part No.	WG9014320137
	CH part name	滚柱轴承		CH part name	从动园柱齿轮
	EN part name	Bearing		EN part name	Driven cylindrical gear
	RU part name	Роликоподшипник		RU part name	на цилиндрические лова
	Size:mm	150*69.4*34.7		Size:mm	190*62*45
	Weight:kg	2.9		Weight:kg	4.99
	NO.	NO.44-35		NO.	NO.44-34
Remarks:HOWO			Remarks:HOWO HC16		

KD0789			KD0790		
	Part No.	199114320002		Part No.	199014320208
	CH part name	主动圆柱齿轮		CH part name	从动园柱齿轮
	EN part name	Drive gear		EN part name	Driven cylindrical gear
	RU part name	Ведущая цилиндрическая шестерня		RU part name	на цилиндрические лова
	Size:mm	230*230*60		Size:mm	220*220*60
	Weight:kg	6		Weight:kg	5
	NO.	NO.44-33		NO.	NO.44-34
Remarks:HOWO STEYR			Remarks:HOWO STEYR		
KD0791			KD0792		
	Part No.	190003326333		Part No.	190003311543
	CH part name	圆锥滚子轴承		CH part name	有止动槽的内球轴承
	EN part name	Roller bearing		EN part name	Ball bearing
	RU part name	Конический роликоподшипник		RU part name	Подшипник моста среднего
	Size:mm	119*53*39		Size:mm	130*60*31
	Weight:kg	1.53		Weight:kg	1.65

Email: ventas@sdpartsdelivery.com

Email: ventas@sdpartsdelivery.com

Website: <http://www.sdpartsdelivery.com>

	NO.	NO.44-37		NO.	NO.44-38
Remarks:HOWO 31311GB/T297-94			Remarks:HOWO 6312NGB/T276-94		
KD0793			KD0794		
	Part No.	190003310239		Part No.	WG9014320129
	CH part name	带防尘盖深沟球轴承		CH part name	轴承座
	EN part name	Ball bearing		EN part name	Bearing housing
	RU part name	Шар.подшипник с пылезащитной крышкой и глуб.канавк.		RU part name	с сиденья
	Size:mm	145*95*25		Size:mm	
	Weight:kg	1.17		Weight:kg	1.01
	NO.	NO.44-39		NO.	NO.44-42
Remarks:HOWO 6019-ZGB/T276-94			Remarks:HOWO 199014320129		
KD0795			KD0796		
	Part No.	WG780320088		Part No.	WG9014320128
	CH part name	轴承压板		CH part name	轴承压板
	EN part name	Spacer		EN part name	Bearing external ring
	RU part name	КОСМОНИТЫ		RU part name	подшипник датчик давления
	Size:mm			Size:mm	
	Weight:kg	0.1		Weight:kg	0.21
	NO.	NO.44-45		NO.	NO.44-43
Remarks:HOWO 178000320088			Remarks:HOWO 199014320128		
KD0797			KD0798		
	Part No.	WG9012250031		Part No.	WG9014320131
	CH part name	开槽园螺母		CH part name	调整垫片
	EN part name	Slotted nut		EN part name	Adjusting shim
	RU part name	прорезная гайка		RU part name	корректировки прокладка

Email: ventas@sdpartsdelivery.com

Email: ventas@sdpartsdelivery.com

Website: <http://www.sdpartsdelivery.com>



	Size:mm			Size:mm	
	Weight:kg	0.17		Weight:kg	0.01
	NO.	NO.44-49		NO.	NO.44-42
Remarks:HOWO			Remarks:HOWO WG9014320134 WG9014320133 WG9014320132		
KD0799			KD0800		
	Part No.	WG9014320135		Part No.	AZ9231320271
	CH part name	花键空心轴		CH part name	轴间差速器总成(46 齿)
	EN part name	Hollow shaft		EN part name	Diff. assy.
	RU part name	Вал полый		RU part name	Дифференциал в сборе 46 зубьев
	Size:mm	165*65*65		Size:mm	345*200
	Weight:kg	1.9		Weight:kg	20.36
	NO.	NO.44-50		NO.	NO.44-54
Remarks:HOWO 199014320135			Remarks:HOWO		
KD0801			KD0802		
	Part No.	WG9231320226		Part No.	WG9231320071
	CH part name	后半轴齿轮		CH part name	轴间差速器总成(8 齿)
	EN part name	Drive shaft rear bevel pinion		EN part name	Diff. assy.
	RU part name	Шестерня межосевого дифференциала задняя		RU part name	Дифференциал в сборе 8зубьев
	Size:mm	120*62*50		Size:mm	345*200
	Weight:kg	1.13		Weight:kg	20.4
	NO.	NO.44-55		NO.	NO.44-54
Remarks:HOWO 199014320059			Remarks:HOWO 199014320166		
KD0803			KD0804		
	Part No.	WG9231320225		Part No.	WG9231320224
	CH part name	前半轴齿轮		CH part name	行星齿轮垫片
	EN part name	Drive shaft front bevel pinion		EN part name	Washer
	RU part name	Шестерня межосевого дифференциала передняя		RU part name	Шайба шестерни дифференциала

Email: ventas@sdpartsdelivery.com

Email: ventas@sdpartsdelivery.com



Website: <http://www.sdpartsdelivery.com>

	Size:mm	119*58*40		Size:mm	80*80*1
	Weight:kg	1.82		Weight:kg	0.01
	NO.	NO.44-56		NO.	NO.44-57
Remarks:HOWO WG9114320032			Remarks:HOWO AZ9231320224		

KD0805			KD0806		
	Part No.	WG9231320091		Part No.	AZ9231320096
	CH part name	半轴齿轮垫片		CH part name	半轴齿轮垫片
	EN part name	Drive shaft gear washer		EN part name	Drive shaft gear washer
	RU part name	Шайба дифференциала передняя		RU part name	Шайба дифференциала передняя
	Size:mm	110*110*3		Size:mm	110*110*3
	Weight:kg	0.12		Weight:kg	0.08
	NO.	NO.44-62		NO.	NO.44-63

Remarks:HOWO 199014320067

Remarks:HOWO 199014320071

KD0807			KD0808		
	Part No.	WG288320105		Part No.	WG288320106
	CH part name	差速锁锁环		CH part name	差速锁销
	EN part name	Lock ring		EN part name	Housing(front)
	RU part name	запирающий кольцо		RU part name	Штифт механизма блокировки дифф-ла
	Size:mm			Size:mm	43*12
	Weight:kg	0.5		Weight:kg	0.036
	NO.	NO.44-72		NO.	NO.44-73

Remarks:HOWO






Remarks:HOWO 1228 320106

KD0809			KD0810		
	Part No.	WG1800 320077		Part No.	WG9014320053
	CH part name	拨叉活动块		CH part name	拨叉
	EN part name	Between axle		EN part name	Fork activity block

Email: ventas@sdpartsdelivery.com

Email: ventas@sdpartsdelivery.com

Website: <http://www.sdpartsdelivery.com>

	RU part name Size:mm Weight:kg NO.	вилка деятельности блок 26.5*17.7*9.4 0.05 NO.44-75		RU part name Size:mm Weight:kg NO.	Переводная вилка 155*110*34 0.4 NO.44-74
Remarks:HOWO 180000320077			Remarks:HOWO 199014320053		
KD0811			KD0812		
	Part No. CH part name EN part name RU part name Size:mm Weight:kg NO.	WG9014320076 差速锁摇臂总成 Rocker arm рокер руку 182*108*30 0.5 NO.44-76		Part No. CH part name EN part name RU part name Size:mm Weight:kg NO.	WG9231320026 贯通轴油封 oil seal сальник 0.25 NO.44-94
Remarks:HOWO 199014320076			Remarks:HOWO 190003070026		
KD0813			KD0814		
	Part No. CH part name EN part name RU part name Size:mm Weight:kg NO.	AZ9231320261 贯通轴 Perforation shaft СКВОЗНОЙ вал 720*70*70 8.36 NO.44-95		Part No. CH part name EN part name RU part name Size:mm Weight:kg NO.	199114320031 贯通轴 Perforation shaft СКВОЗНОЙ вал 685*70 8.15 NO.44-95
Remarks:HOWO HC16			Remarks:HOWO STEYR		
KD0815			KD0816		
	Part No.	AZ9231320205		Part No.	AZ9761321010

Email: ventas@sdpartsdelivery.com

Email: ventas@sdpartsdelivery.com

Website: <http://www.sdpartsdelivery.com>

	<table border="1"> <tr><td>CH part name</td><td>贯通轴凸缘</td></tr> <tr><td>EN part name</td><td>Flange</td></tr> <tr><td>RU part name</td><td>Фланец среднего моста</td></tr> <tr><td>Size:mm</td><td>165*165*60</td></tr> <tr><td>Weight:kg</td><td>3.2</td></tr> <tr><td>NO.</td><td>NO.44-96</td></tr> </table>	CH part name	贯通轴凸缘	EN part name	Flange	RU part name	Фланец среднего моста	Size:mm	165*165*60	Weight:kg	3.2	NO.	NO.44-96		<table border="1"> <tr><td>CH part name</td><td>贯通轴 46 齿 L=680</td></tr> <tr><td>EN part name</td><td>Perforated shaft</td></tr> <tr><td>RU part name</td><td>Проходной вал</td></tr> <tr><td>Size:mm</td><td>685*70*70</td></tr> <tr><td>Weight:kg</td><td>8.36</td></tr> <tr><td>NO.</td><td>NO.44-95</td></tr> </table>	CH part name	贯通轴 46 齿 L=680	EN part name	Perforated shaft	RU part name	Проходной вал	Size:mm	685*70*70	Weight:kg	8.36	NO.	NO.44-95				
CH part name	贯通轴凸缘																														
EN part name	Flange																														
RU part name	Фланец среднего моста																														
Size:mm	165*165*60																														
Weight:kg	3.2																														
NO.	NO.44-96																														
CH part name	贯通轴 46 齿 L=680																														
EN part name	Perforated shaft																														
RU part name	Проходной вал																														
Size:mm	685*70*70																														
Weight:kg	8.36																														
NO.	NO.44-95																														
Remarks:HOWO WG9231320205		Remarks:HOWO AZ9761321010-L=700																													
KD0817		KD0818																													
	<table border="1"> <tr><td>Part No.</td><td>AZ9128320014</td></tr> <tr><td>CH part name</td><td>180 端面齿法兰总成</td></tr> <tr><td>EN part name</td><td>End tooth flange assembly</td></tr> <tr><td>RU part name</td><td>Фланец среднего моста 180mm 4 отверстия</td></tr> <tr><td>Size:mm</td><td>180*180*80</td></tr> <tr><td>Weight:kg</td><td>3.8</td></tr> <tr><td>NO.</td><td>NO.44-60</td></tr> </table>	Part No.	AZ9128320014	CH part name	180 端面齿法兰总成	EN part name	End tooth flange assembly	RU part name	Фланец среднего моста 180mm 4 отверстия	Size:mm	180*180*80	Weight:kg	3.8	NO.	NO.44-60		<table border="1"> <tr><td>Part No.</td><td>WG9114320178</td></tr> <tr><td>CH part name</td><td>接油板总成</td></tr> <tr><td>EN part name</td><td>Oil supply plate assembly</td></tr> <tr><td>RU part name</td><td>забрать нефти Совета Ассамблеи</td></tr> <tr><td>Size:mm</td><td></td></tr> <tr><td>Weight:kg</td><td>1.01</td></tr> <tr><td>NO.</td><td>NO.44-21</td></tr> </table>	Part No.	WG9114320178	CH part name	接油板总成	EN part name	Oil supply plate assembly	RU part name	забрать нефти Совета Ассамблеи	Size:mm		Weight:kg	1.01	NO.	NO.44-21
Part No.	AZ9128320014																														
CH part name	180 端面齿法兰总成																														
EN part name	End tooth flange assembly																														
RU part name	Фланец среднего моста 180mm 4 отверстия																														
Size:mm	180*180*80																														
Weight:kg	3.8																														
NO.	NO.44-60																														
Part No.	WG9114320178																														
CH part name	接油板总成																														
EN part name	Oil supply plate assembly																														
RU part name	забрать нефти Совета Ассамблеи																														
Size:mm																															
Weight:kg	1.01																														
NO.	NO.44-21																														
Remarks:HOWO		Remarks:HOWO																													
KD0819		KD0820																													
	<table border="1"> <tr><td>Part No.</td><td>WG9014320205</td></tr> <tr><td>CH part name</td><td>贯通轴凸缘</td></tr> <tr><td>EN part name</td><td>Flange</td></tr> <tr><td>RU part name</td><td>Фланец среднего моста</td></tr> <tr><td>Size:mm</td><td>180*180*60</td></tr> <tr><td>Weight:kg</td><td>3.4</td></tr> <tr><td>NO.</td><td>NO.44-96</td></tr> </table>	Part No.	WG9014320205	CH part name	贯通轴凸缘	EN part name	Flange	RU part name	Фланец среднего моста	Size:mm	180*180*60	Weight:kg	3.4	NO.	NO.44-96		<table border="1"> <tr><td>Part No.</td><td>199014320205</td></tr> <tr><td>CH part name</td><td>贯通轴凸缘</td></tr> <tr><td>EN part name</td><td>Flange</td></tr> <tr><td>RU part name</td><td>Фланец среднего моста</td></tr> <tr><td>Size:mm</td><td>165*165*60</td></tr> <tr><td>Weight:kg</td><td>3.2</td></tr> <tr><td>NO.</td><td>NO.44-96</td></tr> </table>	Part No.	199014320205	CH part name	贯通轴凸缘	EN part name	Flange	RU part name	Фланец среднего моста	Size:mm	165*165*60	Weight:kg	3.2	NO.	NO.44-96
Part No.	WG9014320205																														
CH part name	贯通轴凸缘																														
EN part name	Flange																														
RU part name	Фланец среднего моста																														
Size:mm	180*180*60																														
Weight:kg	3.4																														
NO.	NO.44-96																														
Part No.	199014320205																														
CH part name	贯通轴凸缘																														
EN part name	Flange																														
RU part name	Фланец среднего моста																														
Size:mm	165*165*60																														
Weight:kg	3.2																														
NO.	NO.44-96																														
Remarks:HOWO		Remarks:HOWO																													
KD0821		KD0822																													

Email: ventas@sdpartsdelivery.com

Email: ventas@sdpartsdelivery.com


Website: <http://www.sdpartsdelivery.com>



	Part No.	WG79000320013		Part No.	WG9231326212
	CH part name	凸缘螺母		CH part name	贯通轴双列圆锥滚子轴承
	EN part name	Flange nut		EN part name	Deep chase ring bearing
	RU part name	фланец ореха		RU part name	роликовые подшипники
	Size:mm	65*65*35		Size:mm	
	Weight:kg	0.3		Weight:kg	0.5
	NO.	NO.44-99		NO.	NO.44-100
Remarks:HOWO 179000320013			Remarks:HOWO		
KD0823			KD0824		
	Part No.	WG9012320014		Part No.	190003300036
	CH part name	拨叉		CH part name	深沟球轴承
	EN part name	Shift fork		EN part name	Ball bearing
	RU part name	Переводная вилка		RU part name	Шарикоподшипник с глубокой канавкой
	Size:mm	115*95*32		Size:mm	110*60*21
	Weight:kg	0.5		Weight:kg	0.78
	NO.	NO.44-103		NO.	NO.44-100
Remarks:HOWO			Remarks:HOWO 6212-GB/T276-94		
KD0825			KD0826		
	Part No.	WG3809320156		Part No.	WG3809320155
	CH part name	滑动啮合套		CH part name	固定啮合套
	EN part name	Sliding engage cowl		EN part name	Fixed engage cowl
	RU part name	Скользкая зубчатая муфта		RU part name	Неподвижная зубчатая муфта
	Size:mm	120*120*60		Size:mm	120*28*70
	Weight:kg	1.65		Weight:kg	1.02
	NO.	NO.44-107		NO.	NO.44-109
Remarks:HOWO 138009320156			Remarks:HOWO 138009320155		
KD0827			KD0828		

Email: ventas@sdpartsdelivery.com

Email: ventas@sdpartsdelivery.com

Website: <http://www.sdpartsdelivery.com>

	Part No.	WG9231320141		Part No.	AH71131551953
	CH part name	轴承座		CH part name	三段式铸造后桥
	EN part name	Bearing seat		EN part name	Rear axle assy.
	RU part name	Крышка подшипника		RU part name	Задний ведущий мост в сборе
	Size:mm	160*105*30		Size:mm	1850
	Weight:kg	1.2		Weight:kg	780
	NO.	NO.44-97		NO.	NO.45
Remarks:HOWO 199014320141			Remarks:HOWO I=5.73 I=4.8		

KD0829			KD0830		
	Part No.	AZ9112320143		Part No.	AZ9231330569
	CH part name	后桥中段		CH part name	后桥壳总成
	EN part name	Rear axle drive		EN part name	Rear axle housing assy.
	RU part name	Редуктор заднего моста		RU part name	Картер заднего моста в сборе
	Size:mm	450*450*550		Size:mm	2100*415*260
	Weight:kg	110		Weight:kg	220
	NO.	NO.45		NO.	NO.45
Remarks:HOWO I=5.73 I=4.8			Remarks:HOWO AZ9231330161		

KD0831			KD0832		
	Part No.	199012320098		Part No.	WG9012320103
	CH part name	后桥主减速器壳		CH part name	轴承座
	EN part name	Housing reducer		EN part name	Bearing seat
	RU part name	differehousing reducertial рычаг, астрид.		RU part name	Корпус подшипника
	Size:mm			Size:mm	275*170
	Weight:kg	24.5		Weight:kg	12.35
	NO.	NO.45-1		NO.	NO.45-2
Remarks:HOWO 199012320097			Remarks:HOWO 199012320103		

Email: ventas@sdpartsdelivery.com

Email: ventas@sdpartsdelivery.com




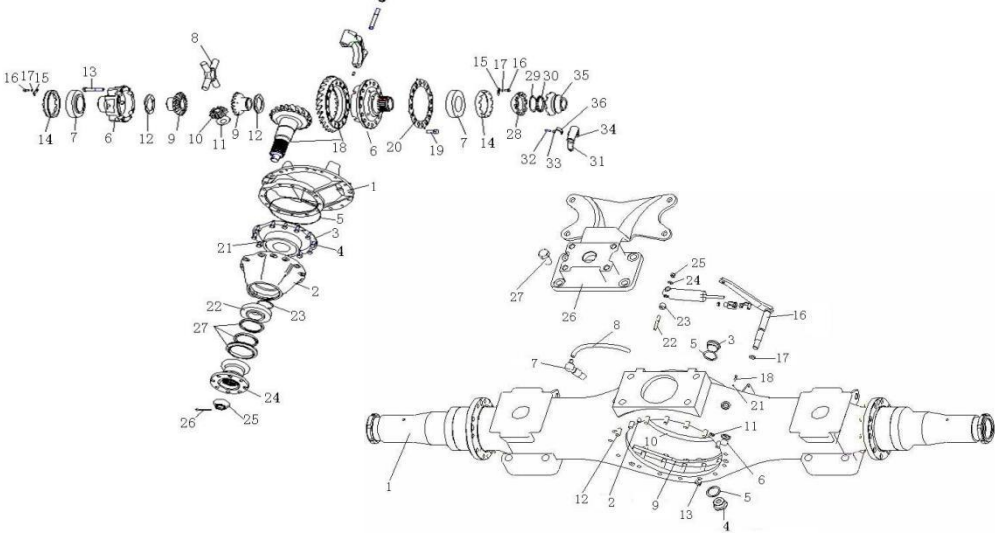

Website: <http://www.sdpartsdelivery.com>

KD0833			KD0834		
	Part No.	WG9012320133		Part No.	WG9012320173-176
	CH part name	密封圈		CH part name	调整垫片
	EN part name	Gasket		EN part name	Adjusting shim
	RU part name	прокладка		RU part name	корректировки прокладка
	Size:mm			Size:mm	275*0.1
	Weight:kg	0.01		Weight:kg	0.01
	NO.	NO.45-3		NO.	NO.45-3
Remarks:HOWO 199012320133			Remarks:HOWO 199012320173		
KD0835			KD0836		
	Part No.	AZ9231320273		Part No.	AZ9231320274
	CH part name	差速器总成		CH part name	差速器壳
	EN part name	Diff. assy.		EN part name	Diff.housing
	RU part name	Дифференциал в сборе		RU part name	дифференциал
	Size:mm	250*250*250		Size:mm	250*250*250
	Weight:kg	23		Weight:kg	16.5
	NO.	NO.45-6		NO.	NO.45-6
Remarks:HOWO 199012320198			Remarks:HOWO 199012320198		
KD0837			KD0838		
	Part No.	WG9231320913		Part No.	WG9014330125
	CH part name	锥齿轮付 28/17		CH part name	操纵杆总成
	EN part name	Pinion and crown wheel 28/17		EN part name	Lever
	RU part name	Пара конических шестерен 28/17		RU part name	джойстик
	Size:mm	280*320		Size:mm	182*150*30
	Weight:kg	27		Weight:kg	0.49
	NO.	NO.45-18		NO.	NO.45-16
Remarks:HOWO 199012320177			Remarks:HOWO 199014330125		

Email: ventas@sdpartsdelivery.com

Email: ventas@sdpartsdelivery.com

Website: <http://www.sdpartsdelivery.com>

KD0839			KD0840		
	Part No.	WG9231340921		Part No.	WG9231340943
	CH part name	挡油罩		CH part name	后桥气室支架
	EN part name	Oil drip pan		EN part name	Brake cylinder bracket(rear axle)
	RU part name	маслоотражательный кожух		RU part name	Кронштейн V-образной тяги заднего моста
	Size:mm			Size:mm	400*370*122
	Weight:kg	0.6		Weight:kg	18.71
	NO.	NO.46-31		NO.	NO.45-26
Remarks:HOWO 199012340021			Remarks:HOWO AZ9231340041		
KD0841			Rear axle drive/Steyr rear axle housing NO.45		
	Part No.	AZ9231340910			
	CH part name	后轮毂总成			
	EN part name	Rear wheel hub			
	RU part name	Ступица задняя			
	Size:mm	400*400*240			
	Weight:kg	34			
	NO.	NO.46-30			
Remarks:HOWO AZ9761340082					
KD0842					
	Part No.	WG9012340029			
	CH part name	密封圈			
	EN part name	Gasket			
	RU part name	уплотнительный кольцо			
	Size:mm				
	Weight:kg	0.01			
NO.	NO.46-29				
Remarks:HOWO 199012340029					

Email: ventas@sdpartsdelivery.com

Email: ventas@sdpartsdelivery.com

Website: <http://www.sdpartsdelivery.com>

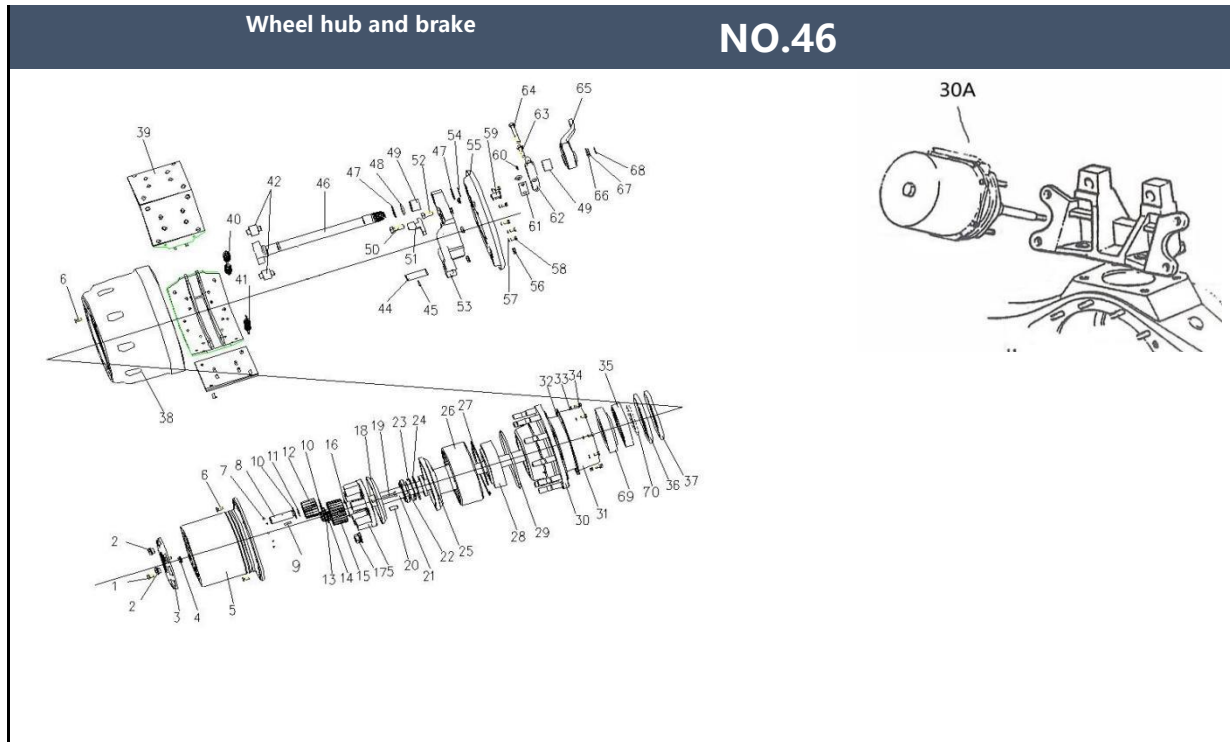
KD0843			KD0844		
	Part No.	WG9231340917		Part No.	WG9112340113
	CH part name	隔圈		CH part name	轮毂油封
	EN part name	Spacer ring		EN part name	Rear wheel outer and inner oil seal
	RU part name	распорка		RU part name	Сальник задней ступицы
	Size:mm	190*110*32		Size:mm	190*220*15
	Weight:kg	1.975		Weight:kg	0.25
	NO.	NO.46-31		NO.	NO.46-36
Remarks:HOWO 199012340017 AZ9231340917			Remarks:HOWO		
KD0845			KD0846		
	Part No.	190003326167		Part No.	WG9112340114
	CH part name	圆锥滚子轴承		CH part name	轮毂油封
	EN part name	Roller bearing		EN part name	Rear wheel outer and inner oil seal
	RU part name	Конический роликоподшипник		RU part name	Сальник задней ступицы
	Size:mm	204*109*57		Size:mm	190*220*15
	Weight:kg	3.2		Weight:kg	0.25
	NO.	NO.46-28		NO.	NO.46-37
Remarks:HOWO 32222GB/T297-94			Remarks:HOWO		
KD0847			KD0848		
	Part No.	WG9231340001		Part No.	WG9012340011
	CH part name	端盖		CH part name	端盖顶销
	EN part name	Cover		EN part name	End cap pin
	RU part name	Крышка планетпрного потрона		RU part name	штифт
	Size:mm	235*20		Size:mm	
	Weight:kg	2.1		Weight:kg	0.1
	NO.	NO.46-3		NO.	NO.46-4

Email: ventas@sdpartsdelivery.com

Email: ventas@sdpartsdelivery.com

Website: <http://www.sdpartsdelivery.com>

Remarks:HOWO			Remarks:HOWO		
KD0849			KD0850		
	Part No.	199112340029Z		Part No.	199112340029
	CH part name	轮边减速器总成		CH part name	行星架总成
	EN part name	Planetary carrier		EN part name	Planetary carrier
	RU part name	Корпус сателитов бортового редуктора		RU part name	Корпус сателитов бортового редуктора
	Size:mm	375*250		Size:mm	375*250
	Weight:kg	33.5		Weight:kg	32
	NO.	NO.46-5		NO.	NO.46-5
Remarks:HOWO			Remarks:HOWO		







KD0851		
	Part No.	WG9012340004
	CH part name	行星轮轴
	EN part name	Planet gear axle
	RU part name	Валик сателлита
	Size:mm	94*28
	Weight:kg	0.41
	NO.	NO.46-8
Remarks:HOWO 99012340004		
KD0852		
	Part No.	WG99-934-013
	CH part name	滚针轴承
	EN part name	Needle roller bearing
	RU part name	игольчатый подшипник
	Size:mm	

Email: ventas@sdpartsdelivery.com

Email: ventas@sdpartsdelivery.com

Website: <http://www.sdpartsdelivery.com>

				Weight:kg	0.15
				NO.	NO.46-9
		Remarks:HOWO 1-99-934-0013			
KD0853			KD0854		
	Part No.	WG9012340075		Part No.	WG9012340077
	CH part name	行星轮垫片		CH part name	垫圈
	EN part name	Planet gear washer		EN part name	Washer
	RU part name	планетарный колесо		RU part name	шайба
	Size:mm			Size:mm	
	Weight:kg	0.1		Weight:kg	0.03
	NO.	NO.46-10		NO.	NO.46-11
Remarks:HOWO 99012340075			Remarks:HOWO 99012340077		
KD0855			KD0856		
	Part No.	WG9012340122		Part No.	WG9012340005
	CH part name	行星轮(Z=16)		CH part name	太阳轮(Z=23)
	EN part name	Planet gear		EN part name	Helical gear
	RU part name	планетарный колесо		RU part name	Шестерня солнечная
	Size:mm	73*73*56		Size:mm	100*50*60
	Weight:kg	0.92		Weight:kg	2.17
	NO.	NO.46-12		NO.	NO.46-15
Remarks:HOWO 99012340122			Remarks:HOWO 99012340005		

KD0857			KD0858		
	Part No.	WG880 410097		Part No.	WG9012340076
	CH part name	垫圈		CH part name	太阳轮垫圈
	EN part name	Washer		EN part name	Washer

Email: ventas@sdpartsdelivery.com

Email: ventas@sdpartsdelivery.com



Website: <http://www.sdpartsdelivery.com>



	RU part name Size:mm Weight:kg NO.	шайба 0.015 NO.46-14		RU part name Size:mm Weight:kg NO.	шайба 0.2 NO.46-16
Remarks:HOWO 880 410097			Remarks:HOWO 99012340076		
KD0859			KD0860		
	Part No. CH part name EN part name RU part name Size:mm Weight:kg NO.	Q151C1295TF2 轮边行星架螺栓 Screw колесо болт 0.24 NO.46-19		Part No. CH part name EN part name RU part name Size:mm Weight:kg NO.	WG880420027 行星架挡油盘 Oil drip pan Маслодержательный диск 0.24 NO.46-18
Remarks:HOWO			Remarks:HOWO 880 420027		
KD0861			KD0862		
	Part No. CH part name EN part name RU part name Size:mm Weight:kg NO.	WG9231340223 半轴 (左) Left drive shaft Полуось (левая) 1090*55 19.5 NO.46-21		Part No. CH part name EN part name RU part name Size:mm Weight:kg NO.	WG9231340224 半轴(右) Right drive shaft Полуось (правая) 1090*55 19.5 NO.46-21
Remarks:HOWO 199012340223			Remarks:HOWO 199012340224		
KD0863			KD0864		
	Part No. CH part name EN part name	WG9112340021 齿圈支架总成 Support for intermed.ring gear		Part No. CH part name EN part name	WG9012340121 内齿圈(Z=57) Intermed.ring gear

Email: ventas@sdpartsdelivery.com

Email: ventas@sdpartsdelivery.com

Website: <http://www.sdpartsdelivery.com>

	RU part name	зуб кольцо скобка		RU part name	внутренняя передача кольцо
	Size:mm	300*300*130		Size:mm	300*300*130
	Weight:kg	5.65		Weight:kg	4
	NO.	NO.46-25		NO.	NO.46-26
Remarks:HOWO 199112340021			Remarks:HOWO 199012340121		

KD0865			KD0866		
	Part No.	WG9231340309		Part No.	WG9231340909
	CH part name	后轮毂总成		CH part name	后轮毂(加宽轴承)
	EN part name	Rear wheel hub		EN part name	Rear wheel hub
	RU part name	Ступица задняя		RU part name	Ступица задняя
	Size:mm	400*400*240		Size:mm	400*400*240
	Weight:kg	34		Weight:kg	34
	NO.	NO.46-30		NO.	NO.46-30



Remarks:HOWO HC16

Remarks:HOWO HC16 199231340909

KD0867			KD0868		
	Part No.	WG9112340006		Part No.	WG9000340070
	CH part name	后制动鼓		CH part name	后制动蹄
	EN part name	Rear brake drum		EN part name	Brake shoe assy.
	RU part name	Барабан тормозный задний		RU part name	Тормозная колодка задняя
	Size:mm	500*500*300		Size:mm	372*175*185
	Weight:kg	51		Weight:kg	10.45
	NO.	NO.46-38		NO.	NO.46-39

Remarks:HOWO 199112340006


Remarks:HOWO 199000340061

KD0869			KD0870		
	Part No.	WG9100340012		Part No.	WG9112340049
	CH part name	回位弹簧		CH part name	回位弹簧
	EN part name	Brake shoe spring		EN part name	Brake shoe spring

Email: ventas@sdpartsdelivery.com

Email: ventas@sdpartsdelivery.com

Website: <http://www.sdpartsdelivery.com>

	RU part name	Стяжная пружина		RU part name	Натяжная пружина
	Size:mm	215*31		Size:mm	166*21
	Weight:kg	0.23		Weight:kg	0.09
	NO.	NO.46-40		NO.	NO.46-41
Remarks:HOWO WG9231342015 188000440012 HC16 AC16			Remarks:HOWO 199112340049 AC16 HC16		
KD0871			KD0872		
	Part No.	WG9000340027		Part No.	199000340064
	CH part name	滚轮		CH part name	制动蹄销
	EN part name	Roller		EN part name	Brake shoe pin
	RU part name	Ролик		RU part name	88*28*28
	Size:mm	63*36		Size:mm	
	Weight:kg	0.32		Weight:kg	0.4
	NO.	NO.46-42		NO.	NO.46-44
Remarks:HOWO 199000340027 AC16 HC16			Remarks:HOWO		
KD0873			KD0874		
	Part No.	WG9231340226		Part No.	WG9231340227
	CH part name	制动凸轮轴(左)		CH part name	制动凸轮轴(右)
	EN part name	Left brake camshaft		EN part name	Right brake camshaft
	RU part name	Кулачковый вал заднего тормоза левый		RU part name	Кулачковый вал заднего тормоза правый
	Size:mm	550*92*48		Size:mm	550*92*48
	Weight:kg	5.6		Weight:kg	5.6
	NO.	NO.46-46		NO.	NO.46-46
Remarks:HOWO			Remarks:HOWO		
KD0875			KD0876		
	Part No.	WG880440010		Part No.	WG880440010/190003933116
	CH part name	凸轮轴垫片		CH part name	凸轮轴修理包

Email: ventas@sdpartsdelivery.com

Email: ventas@sdpartsdelivery.com

Website: <http://www.sdpartsdelivery.com>

	EN part name	Camshaft gasket		EN part name	Camshaft repair kit
	RU part name	распределительный вал прокладка		RU part name	распределительный вал аптечка
	Size:mm			Size:mm	
	Weight:kg	0.02		Weight:kg	0.035
	NO.	NO.46-47		NO.	NO.46-47-68
Remarks:HOWO			Remarks:HOWO		
KD0877			KD0878		
	Part No.	WG9100340017		Part No.	WG880340023
	CH part name	凸轮轴复合套		CH part name	凸轮轴密封圈
	EN part name	Camshaft bush		EN part name	Camshaft seal ring
	RU part name	Втулка распредвала		RU part name	уплотнительный кольцо
	Size:mm	40*40*30		Size:mm	
	Weight:kg	0.052		Weight:kg	0.01
	NO.	NO.46-49		NO.	NO.46-48
Remarks:HOWO 1880340016			Remarks:HOWO		
KD0879			KD0880		
	Part No.	AZ9231340562		Part No.	199000340062
	CH part name	制动底板		CH part name	制动底板
	EN part name	Brake baseplate		EN part name	Brake baseplate
	RU part name	Задний суппор		RU part name	Задний суппор
	Size:mm	370*255*98		Size:mm	435*330*60
	Weight:kg	7.1		Weight:kg	7.1
	NO.	NO.46-53		NO.	NO.46-53
Remarks:HOWO HC16			Remarks:HOWO STEYR		

KD0881			KD0882		
	Part No.	WG880340037		Part No.	199112340012

Email: ventas@sdpartsdelivery.com

Email: ventas@sdpartsdelivery.com



Website: <http://www.sdpartsdelivery.com>



	CH part name EN part name RU part name Size:mm Weight:kg NO.	防尘罩塞 Gasket пылезащитный чехол пробка 0.001 NO.46-56		CH part name EN part name RU part name Size:mm Weight:kg NO.	制动器防尘罩 Dust shield Пылезащитная крышка тормоза 440*40 2.9 NO.46-55
Remarks:HOWO		Remarks:HOWO 1880 340018			
KD0883			KD0884		
	Part No. CH part name EN part name RU part name Size:mm Weight:kg NO.	199014340041 凸轮轴支架 Bracket распределительный вал скобка 0.62 NO.46-62		Part No. CH part name EN part name RU part name Size:mm Weight:kg NO.	WG9100340057 间隙调节臂总成 (右) Right brake adjuster Регулировочный рычаг тормоза (правый) 225*115*90 2.65 NO.46-65
Remarks:HOWO		Remarks:HOWO 199000340057 HC16 AC16			
KD0885			KD0886		
	Part No. CH part name EN part name RU part name Size:mm Weight:kg NO.	WG9200340068 后桥摩擦片 Brake lining Тормозная накладка задняя 185*185*36 0.95 NO.46-39		Part No. CH part name EN part name RU part name Size:mm Weight:kg NO.	WG9100340056 间隙调节臂总成 (左) Left brake adjuster Регулировочный рычаг тормоза (левый) 225*115*90 2.65 NO.46-65
Remarks:HOWO 199000340068		Remarks:HOWO 199000340056 HC16 AC16			
KD0887			KD0888		
	Part No.	WG9100360303		Part No.	WG9000360601

Email: ventas@sdpartsdelivery.com

Email: ventas@sdpartsdelivery.com

Website: <http://www.sdpartsdelivery.com>

	CH part name	复合制动分室		CH part name	复合制动分室
	EN part name	Brake cylinder		EN part name	Brake cylinder
	RU part name	Энергоаккумулятор		RU part name	Энергоаккумулятор
	Size:mm	410*230*230		Size:mm	410*230*230
	Weight:kg	8.75		Weight:kg	8.63
	NO.	NO.46-30A		NO.	NO.46-30A
Remarks:HOWO AC16			Remarks:HOWO AC16		

KD0889			KD0890		
	Part No.	AH71981540320		Part No.	WG9100360303-XLB
	CH part name	中桥总成		CH part name	后分室修理包
	EN part name	Bridge assembly		EN part name	Brake cylinder repair kit
	RU part name	мост Ассамблеи		RU part name	Ремкомплект камеры тормозной задней
	Size:mm	1850		Size:mm	220*220*50
	Weight:kg	910		Weight:kg	0.2
	NO.	NO.47		NO.	NO.46-30A
Remarks:HOWO AC16			Remarks:HOWO AC16		

KD0891			KD0892		
	Part No.	WG9981340044		Part No.	AZ9981330066
	CH part name	气室支架(中桥)		CH part name	中桥壳总成
	EN part name	Brake cylinder bracket(rear axle)		EN part name	Middle axle housing
	RU part name	Кронштейн V-образной тяги заднего моста		RU part name	средний оси, жилье
	Size:mm	365*165*190		Size:mm	2100*415*260
	Weight:kg	13		Weight:kg	272
	NO.	NO.47-4		NO.	NO.47-1
Remarks:HOWO AC16			Remarks:HOWO AC16		


KD0893			KD0894		
	Part No.	Q151B2045TF2		Part No.	WG9003960024

Email: ventas@sdpartsdelivery.com

Email: ventas@sdpartsdelivery.com

Website: <http://www.sdpartsdelivery.com>

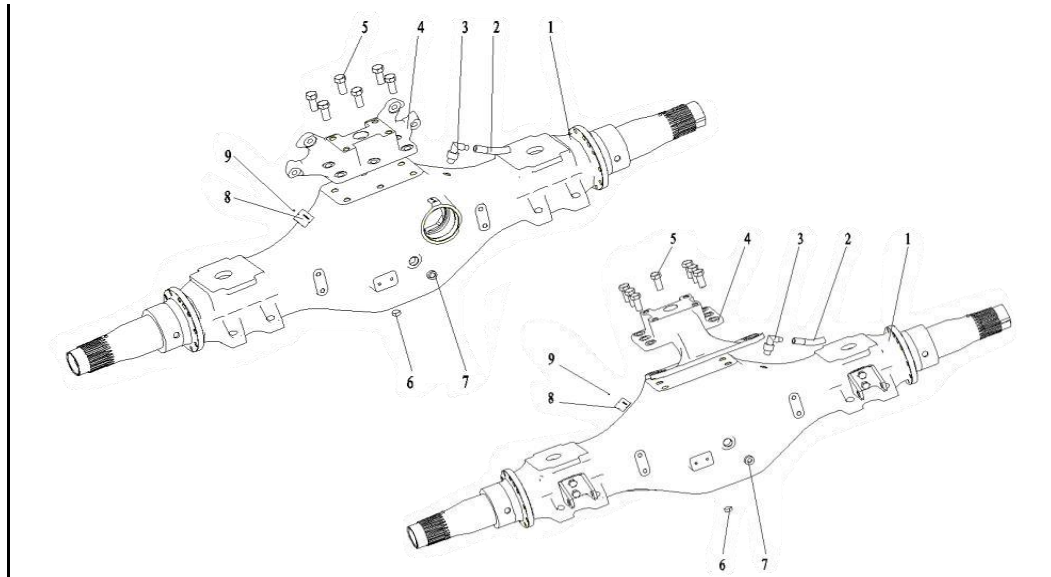
	CH part name	气室支架螺栓		CH part name	内六角锥形螺塞
	EN part name	Air chamber bracket bolt		EN part name	Inner six angle cone plug
	RU part name	газовая камера болт кронштейн		RU part name	шестиугольник коническая пробка
	Size:mm			Size:mm	DIN906-M24X1.5-st
	Weight:kg	0.03		Weight:kg	0.02
	NO.	NO.47-5		NO.	NO.47-6
Remarks:HOWO AC16			Remarks:HOWO		
KD0895			KD0896		
	Part No.	AH71981550110		Part No.	WG9003960004
	CH part name	后桥总成		CH part name	内六角锥形螺塞
	EN part name	Rear axle assy.		EN part name	Inner six angle cone plug
	RU part name	Задний ведущий мост в сборе		RU part name	шестиугольник коническая пробка
	Size:mm	1850		Size:mm	DIN906-M30X1.5-st
	Weight:kg	795		Weight:kg	0.035
	NO.	NO.47		NO.	NO.47-7
Remarks:HOWO AC16			Remarks:HOWO AC16		

AC16 bridge shell/rear axle housing NO.47			KD0897		
				Part No.	AZ9981330065
				CH part name	后桥壳总成
				EN part name	Rear axle housing assy.
				RU part name	Картер заднего моста в сборе
				Size:mm	2100*415*260
				Weight:kg	235
		NO.	NO.47-1		
Remarks:HOWO AC16					
			KD0898		
				Part No.	WG9981340043

Email: ventas@sdpartsdelivery.com

Email: ventas@sdpartsdelivery.com

Website: <http://www.sdpartsdelivery.com>



CH part name	后气室支架
EN part name	Brake cylinder bracket(rear axle)
RU part name	Кронштейн V-образной тяги заднего моста
Size:mm	365*165*190
Weight:kg	13
NO.	NO.47-4

Remarks:HOWO AC16

KD0899

KD0900



Part No.	AZ9981340070001
CH part name	轮边总成
EN part name	Planetary carrier
RU part name	Корпус сателитов бортового редуктора
Size:mm	
Weight:kg	32.7
NO.	NO.48-3



Part No.	AZ9981340070
CH part name	行星架总成
EN part name	Planetary carrier
RU part name	Корпус сателитов бортового редуктора
Size:mm	
Weight:kg	29.5
NO.	NO.48-3

Remarks:HOWO AC16

Remarks:HOWO AC16

KD0901

KD0902



Part No.	WG9981340054
CH part name	行星轮轴
EN part name	Planetary gear bolt
RU part name	Валик сателлита







Part No.	WG9981340057
CH part name	中间垫片
EN part name	Intermediate gasket
RU part name	промежуточный прокладка

Email: ventas@sdpartsdelivery.com

Email: ventas@sdpartsdelivery.com

Website: <http://www.sdpartsdelivery.com>

	Size:mm				Size:mm	
	Weight:kg	0.45			Weight:kg	0.01
	NO.	NO.48-4			NO.	NO.48-5
Remarks:HOWO AC16 AZ9981340054			Remarks:HOWO AC16 AZ9981340057			

KD0903			KD0904		
	Part No.	WG9981340052		Part No.	WG9981340053
	CH part name	行星轮(Z=18)		CH part name	行星轮垫片
	EN part name	Planetary gear		EN part name	Washer
	RU part name	Сателлит		RU part name	Шайба шестерни дифференциала
	Size:mm			Size:mm	
	Weight:kg	1		Weight:kg	0.05
	NO.	NO.48-6		NO.	NO.48-7

Remarks:HOWO AC16 AZ9981340052 Remarks:HOWO AC16 AZ9981340053

KD0905			KD0906		
	Part No.	WG9981340051		Part No.	WG9231342006
	CH part name	内齿圈(Z=56)		CH part name	后制动鼓
	EN part name	Inner ring gear		EN part name	Rear brake drum
	RU part name	внутренняя передача кольцо		RU part name	Барaban тормозный задний
	Size:mm			Size:mm	
	Weight:kg	4		Weight:kg	51
	NO.	NO.48-8		NO.	NO.48-12

Remarks:HOWO AC16 AZ9981340051 Remarks:HOWO AC16 AZ9231342006

KD0907			KD0908		
	Part No.	AZ9231342008		Part No.	WG9981340062
	CH part name	制动器防尘罩		CH part name	制动底板(左)

Email: ventas@sdpartsdelivery.com

Email: ventas@sdpartsdelivery.com

Website: <http://www.sdpartsdelivery.com>

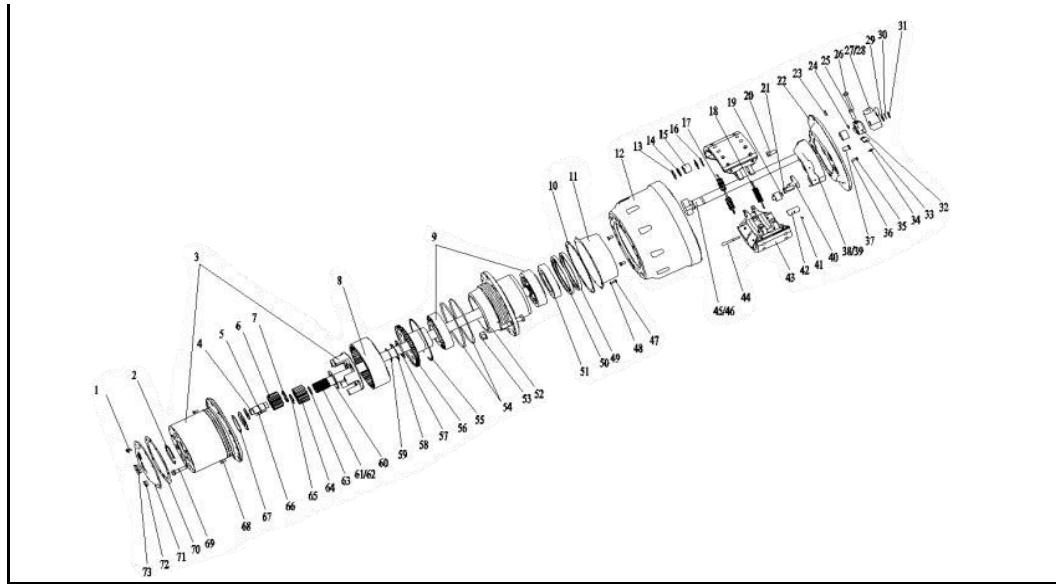
	EN part name	Brake prevented dust cap		EN part name	Brake baseplate
	RU part name	тормоза пылезащитный чехол		RU part name	Задний суппор
	Size:mm			Size:mm	
	Weight:kg	2.53		Weight:kg	7
	Price:usd	NO.48-22		NO.	NO.48-38
Remarks:HOWO AC16			Remarks:HOWO AC16 AZ9981340062		
KD0909			KD0910		
	Part No.	WG9981340063		Part No.	WG9231342068
	CH part name	制动底板(右)		CH part name	后制动蹄片
	EN part name	Brake baseplate		EN part name	Brake lining
	RU part name	Задний суппор		RU part name	Тормозная накладка задняя
	Size:mm			Size:mm	
	Weight:kg	7		Weight:kg	1.12
	NO.	NO.48-39		NO.	NO.48-43
Remarks:HOWO AC16 AZ9981340063			Remarks:HOWO AC16		

Brake drum and brake		NO.48	KD0911		
	Part No.	AZ9231342070		Part No.	AZ9231342070
	CH part name	后制动蹄总成		CH part name	后制动蹄总成
	EN part name	Brake shoe assy.		EN part name	Brake shoe assy.
	RU part name	Тормозная колодка задняя		RU part name	Тормозная колодка задняя
	Size:mm	176*200*18.7/13.7		Size:mm	176*200*18.7/13.7
	Weight:kg	11.8		Weight:kg	11.8
	NO.	NO.48-43		NO.	NO.48-43
Remarks:HOWO AC16 AZ9231342072					
			KD0912		
				Part No.	AZ9981340226

Email: ventas@sdpartsdelivery.com

Email: ventas@sdpartsdelivery.com

Website: <http://www.sdpartsdelivery.com>



CH part name	制动凸轮轴(左)
EN part name	Left brake camshaft
RU part name	Кулачковый вал заднего тормоза левый
Size:mm	400*100*50
Weight:kg	5.2
NO.	NO.48-45

Remarks:HOWO AC16

KD0913		
--------	--	--

KD0914		
--------	--	--

	Part No.	AZ9981340227
	CH part name	制动凸轮轴(右)
	EN part name	Right brake camshaft
	RU part name	Кулачковый вал заднего тормоза правый
	Size:mm	400*100*50
	Weight:kg	5.2
	NO.	NO.48-46

	Part No.	AZ9981340010
	CH part name	后轮毂
	EN part name	Rear wheel hub
	RU part name	Ступица задняя
	Size:mm	
	Weight:kg	35
	NO.	NO.48-52

Remarks:HOWO AC16

Remarks:HOWO AC16

KD0915		
--------	--	--

KD0916		
--------	--	--


	Part No.	WG9981340022
	CH part name	轴用挡圈
	EN part name	Shaft ring
	RU part name	вал кольцо

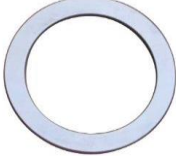

	Part No.	WG9981340020
	CH part name	齿圈支架总成
	EN part name	Support for intermed.ring gear
	RU part name	зуб кольцо скобка

Email: ventas@sdpartsdelivery.com



Email: ventas@sdpartsdelivery.com

Website: <http://www.sdpartsdelivery.com>

	Size:mm			Size:mm	
	Weight:kg	0.05		Weight:kg	5.2
	NO.	NO.48-55		NO.	NO.48-56
Remarks:HOWO AC16 AZ9981340022			Remarks:HOWO AC16		

KD0917			KD0918		
	Part No.	1880420034		Part No.	WG680340015-19
	CH part name	止推垫环		CH part name	止推垫圈
	EN part name	Thrust pad ring		EN part name	Thrust washer
	RU part name	упорный колодка кольцо		RU part name	направленность шайба
	Size:mm			Size:mm	
	Weight:kg	0.02		Weight:kg	0.01
	NO.	NO.48-57		NO.	NO.48-58-59

Remarks:HOWO AC16			Remarks:HOWO AC16 1680 340015		
-------------------	--	--	-------------------------------	--	--

KD0919			KD0920		
	Part No.	WG9981340072		Part No.	AZ9981340223
	CH part name	太阳轮垫圈		CH part name	半轴左
	EN part name	Stop washer		EN part name	Left drive shaft
	RU part name	шайба		RU part name	Полуось (левая)
	Size:mm			Size:mm	1098
	Weight:kg	0.15		Weight:kg	15.9
	NO.	NO.48-60		NO.	NO.48-61

Remarks:HOWO AC16 AZ9981340072			Remarks:HOWO AC16		
--------------------------------	--	--	-------------------	--	--

KD0921			KD0922		
	Part No.	WG9981340071		Part No.	AZ9981340224

Email: ventas@sdpartsdelivery.com

Email: ventas@sdpartsdelivery.com

Website: <http://www.sdpartsdelivery.com>

	CH part name	太阳轮 (Z=19)		CH part name	半轴(右)
	EN part name	Helical gear		EN part name	Right drive shaft
	RU part name	Шестерня солнечная		RU part name	Полуось (правая)
	Size:mm			Size:mm	1098
	Weight:kg	2.16		Weight:kg	15.9
	NO.	NO.48-64		NO.	NO.48-62
Remarks:HOWO AC16 AZ9981340071			Remarks:HOWO AC16		
KD0923			KD0924		
	Part No.	WG9981340073		Part No.	WG9981340056
	CH part name	轴用弹性挡圈		CH part name	滚针
	EN part name	Shaft ring		EN part name	Needle bearing
	RU part name	вал кольцо		RU part name	игольчатый подшипник
	Size:mm			Size:mm	
	Weight:kg	0.02		Weight:kg	0.001
NO.	NO.48-65	NO.	NO.48-66		
Remarks:HOWO AC16 AZ9981340073			Remarks:HOWO AC16		

KD0925			KD0926		
	Part No.	AZ9981340074-79		Part No.	WG9981340067
	CH part name	补偿垫片		CH part name	六角法兰面承面带齿螺栓
	EN part name	Shim		EN part name	Toothed bolt
	RU part name	компенсации прокладка		RU part name	болт
	Size:mm	1.5		Size:mm	
	Weight:kg	0.001		Weight:kg	0.23

Email: ventas@sdpartsdelivery.com

Email: ventas@sdpartsdelivery.com

Website: <http://www.sdpartsdelivery.com>

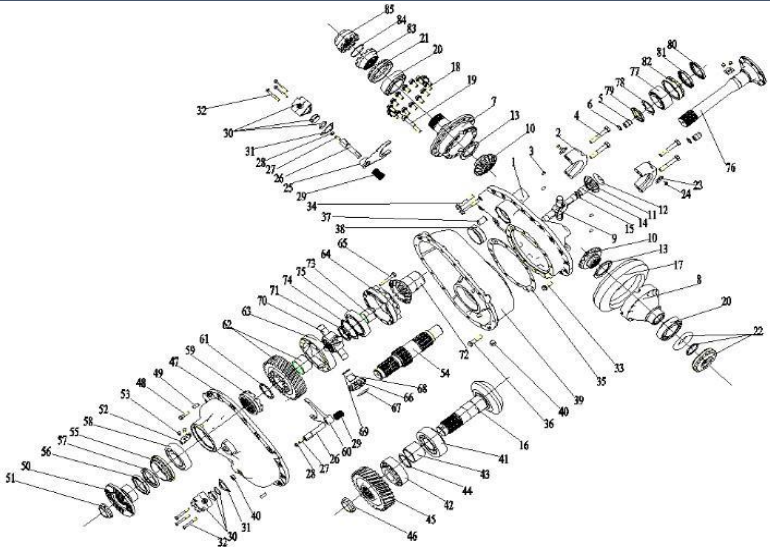


		NO.	NO.48-67			NO.	NO.48-69
Remarks:HOWO AC16				Remarks:HOWO AC16			
KD0927				KD0928			
	Part No.	AZ9981340065			Part No.	AZ9981340001	
	CH part name	端盖纸垫			CH part name	轮边端盖	
	EN part name	End cover paper pad			EN part name	Wheel end cover	
	RU part name	заглушка документ колодка			RU part name	колесо края заглушка	
	Size:mm				Size:mm		
	Weight:kg	0.001			Weight:kg	2	
	NO.	NO.48-70			NO.	NO.48-71	
Remarks:HOWO AC16				Remarks:HOWO AC16			
KD0929				KD0930			
	Part No.	AZ9981320225			Part No.	AZ9981320011	
	CH part name	中桥中段 i=5.45			CH part name	中桥主减壳	
	EN part name	Rear axle drive			EN part name	Housing of 1st rear axle drive	
	RU part name	Редуктор среднего моста			RU part name	Картер главной передачи	
	Size:mm				Size:mm		
	Weight:kg	185			Weight:kg	29	
	NO.	NO.49			NO.	NO.49-1	
Remarks:HOWO AC16 AZ9981320241 i=4.77				Remarks:HOWO AC16 AZ9981320010			
KD0931				KD0932			

Email: ventas@sdpartsdelivery.com

Email: ventas@sdpartsdelivery.com

Website: <http://www.sdpartsdelivery.com>

	Part No.	AZ9981320101		Part No.	WG9981320102
	CH part name	过桥箱		CH part name	过桥箱盖
	EN part name	Cross axle box		EN part name	Cross axle box cover
	RU part name	Картер редуктора		RU part name	Крышка картера редуктора
	Size:mm			Size:mm	
	Weight:kg	35		Weight:kg	18
	NO.	NO.49-39		NO.	NO.49-47
Remarks:HOWO AC16			Remarks:HOWO AC16 AZ9981320102		



Main reducer Bridge		NO.49		KD0933		
					Part No.	AZ9981320136-1
					CH part name	轴间差速器总成
					EN part name	Diff. assy.
					RU part name	Дифференциал в сборе
					Size:mm	
					Weight:kg	38.65
					NO.	NO.49-63-64-62
Remarks:HOWO AC16						
				KD0934		
					Part No.	AZ9981320020-1
					CH part name	差速器总成
					EN part name	Diff. assy.
					RU part name	Дифференциал в сборе
					Size:mm	265*255*255
					Weight:kg	30

Email: ventas@sdpartsdelivery.com

Email: ventas@sdpartsdelivery.com

Website: <http://www.sdpartsdelivery.com>

				NO.	NO.49-7-8
		Remarks:HOWO AC16 I=5.45 I=6.5 AZ9981320021			
KD0935			KD0936		
	Part No.	AZ9981320136		Part No.	AZ9981320020
	CH part name	轴间差速器壳总成		CH part name	差速器壳
	EN part name	Diff. assy.		EN part name	Diff. assy.
	RU part name	Дифференциал в сборе		RU part name	Дифференциал в сборе
	Size:mm			Size:mm	265*255*255
	Weight:kg	4.5		Weight:kg	13.5
	NO.	NO.49-63-64		NO.	NO.49-7-8
Remarks:HOWO AC16 AZ9981320137 AZ9981320138			Remarks:HOWO AC16 I=5.45 I=6.5 AZ9981320021 AZ9981320022		
KD0937			KD0938		
	Part No.	AZ9231320152		Part No.	AZ9981320031
	CH part name	行星齿轮		CH part name	十字轴
	EN part name	Planet gear		EN part name	Cross axle
	RU part name	Сателлиты		RU part name	Крестовина
	Size:mm	80*80*30		Size:mm	
	Weight:kg	0.7		Weight:kg	1.85
	NO.	NO.49-11		NO.	NO.49-9
Remarks:HOWO AC16			Remarks:HOWO AC16		

KD0939			KD0940		
	Part No.	AZ9231320153		Part No.	AZ9981320040
	CH part name	行星齿轮垫片		CH part name	半轴齿轮
	EN part name	Planet gear washer		EN part name	Drive shaft gear
	RU part name	Шайба сателлита		RU part name	Шестерня полуоси

Email: ventas@sdpartsdelivery.com

Email: ventas@sdpartsdelivery.com



Website: <http://www.sdpartsdelivery.com>

	Size:mm	80*80*1		Size:mm	120*120*50
	Weight:kg	0.01		Weight:kg	1.12
	NO.	NO.49-12		NO.	NO.49-10
Remarks:HOWO AC16			Remarks:HOWO AC16		
KD0941			KD0942		
	Part No.	AZ9231320159		Part No.	AZ9981320201
	CH part name	差速器十字轴衬套		CH part name	半轴齿轮垫片
	EN part name	Camshaft bush		EN part name	Axle shaft gear washer
	RU part name	Втулка тормозного вала задняя		RU part name	Шайба шестерни полуоси
	Size:mm			Size:mm	
	Weight:kg	0.04		Weight:kg	0.02
	NO.	NO.49-14		NO.	NO.49-13
Remarks:HOWO AC16			Remarks:HOWO AC16 AZ9981320202-03-04-05		
KD0943			KD0944		
	Part No.	WG9231320160		Part No.	AZ9981320152
	CH part name	十字轴衬套挡圈		CH part name	中桥锥齿轮付总成(29/21 I=5.45)
	EN part name	Washer		EN part name	Passive taper gear
	RU part name	шайба		RU part name	пассивный сосуду лова
	Size:mm			Size:mm	300*310*25
	Weight:kg	0.02		Weight:kg	30
	NO.	NO.49-15		NO.	NO.49-16-17

Email: ventas@sdpartsdelivery.com

Email: ventas@sdpartsdelivery.com

Website: <http://www.sdpartsdelivery.com>

Remarks:HOWO AC16			Remarks:HOWO AC16 AZ9981320153 (I=6.5, 28/17)		
KD0945			KD0946		
	Part No.	WG9981033115		Part No.	WG9981320073
	CH part name	差速器轴承		CH part name	差速器拨叉
	EN part name	Bearing		EN part name	Selector fork
	RU part name	Подшипник		RU part name	Вилка
	Size:mm			Size:mm	115*95*32
	Weight:kg	3.8		Weight:kg	0.717
	NO.	NO.49-20		NO.	NO.49-25
Remarks:HOWO AC16			Remarks:HOWO AC16 AZ9981320073		

KD0947			KD0948		
	Part No.	WG9981320076		Part No.	WG998132315B
	CH part name	气缸		CH part name	盆角齿轴承
	EN part name	Shift cylinder		EN part name	Row-steep roller bearing
	RU part name	переход цилиндра		RU part name	Подшипник
	Size:mm			Size:mm	
	Weight:kg	0.3		Weight:kg	3.5
	NO.	NO.49-30		NO.	NO.49-41
Remarks:HOWO AC16			Remarks:HOWO AC16 32315B		
KD0949			KD0950		
	Part No.	AZ9981320091		Part No.	WG9981032313
	CH part name	隔套		CH part name	盆角齿轴承
	EN part name	Space bush		EN part name	Row-steep roller bearing

Email: ventas@sdpartsdelivery.com

Email: ventas@sdpartsdelivery.com

Website: <http://www.sdpartsdelivery.com>

	RU part name Size:mm Weight:kg NO.	пространство буша 0.3 NO.49-43		RU part name Size:mm Weight:kg NO.	Подшипник 3.5 NO.49-42
Remarks:HOWO AC16			Remarks:HOWO AC16 32313		
KD0951			KD0952		
	Part No. CH part name EN part name RU part name Size:mm Weight:kg NO.	AZ9981320107 从动圆柱齿轮 Passive column gear Ведомая шестерня 190*190*45 9.5 NO.49-45		Part No. CH part name EN part name RU part name Size:mm Weight:kg NO.	AZ9981320182 盆角齿调整垫片 Adjusting washer корректировки машины 0.02 NO.49-44
Remarks:HOWO AC16			Remarks:HOWO AC16 AZ9981320183/84/85/86/87/88/89/90/91/92/93/94.95.96.97		
KD0953			KD0954		
	Part No. CH part name EN part name RU part name Size:mm Weight:kg NO.	AZ9981320106 锁紧螺母 Locknut Фланцевая гайка 0.225 NO.49-46-51		Part No. CH part name EN part name RU part name Size:mm Weight:kg NO.	AZ9981320110 输入法兰总成 Plain flange Фланец 180*180*85 3 NO.49-50
Remarks:HOWO AC16			Remarks:HOWO AC16		

KD0955			KD0956		
	Part No.	AZ9981320105		Part No.	AZ9981320120

Email: ventas@sdpartsdelivery.com

Email: ventas@sdpartsdelivery.com



Website: <http://www.sdpartsdelivery.com>

	<table border="1"> <tr><td>CH part name</td><td>输入轴</td></tr> <tr><td>EN part name</td><td>Master axle</td></tr> <tr><td>RU part name</td><td>господин ось</td></tr> <tr><td>Size:mm</td><td></td></tr> <tr><td>Weight:kg</td><td>9.9</td></tr> <tr><td>NO.</td><td>NO.49-54</td></tr> </table>	CH part name	输入轴	EN part name	Master axle	RU part name	господин ось	Size:mm		Weight:kg	9.9	NO.	NO.49-54			<table border="1"> <tr><td>CH part name</td><td>调整螺母</td></tr> <tr><td>EN part name</td><td>Adjusting nut</td></tr> <tr><td>RU part name</td><td>корректировка ореха</td></tr> <tr><td>Size:mm</td><td></td></tr> <tr><td>Weight:kg</td><td>0.85</td></tr> <tr><td>NO.</td><td>NO.49-55</td></tr> </table>	CH part name	调整螺母	EN part name	Adjusting nut	RU part name	корректировка ореха	Size:mm		Weight:kg	0.85	NO.	NO.49-55					
CH part name	输入轴																																
EN part name	Master axle																																
RU part name	господин ось																																
Size:mm																																	
Weight:kg	9.9																																
NO.	NO.49-54																																
CH part name	调整螺母																																
EN part name	Adjusting nut																																
RU part name	корректировка ореха																																
Size:mm																																	
Weight:kg	0.85																																
NO.	NO.49-55																																
Remarks:HOWO AC16			Remarks:HOWO AC16																														
KD0957			KD0958																														
	<table border="1"> <tr><td>Part No.</td><td>WG9981320123</td></tr> <tr><td>CH part name</td><td>过桥箱盖油封</td></tr> <tr><td>EN part name</td><td>Oil seal</td></tr> <tr><td>RU part name</td><td>Сальник хвостовика</td></tr> <tr><td>Size:mm</td><td>105*105*8</td></tr> <tr><td>Weight:kg</td><td>0.25</td></tr> <tr><td>NO.</td><td>NO.49-56-57</td></tr> </table>	Part No.	WG9981320123	CH part name	过桥箱盖油封	EN part name	Oil seal	RU part name	Сальник хвостовика	Size:mm	105*105*8	Weight:kg	0.25	NO.	NO.49-56-57			<table border="1"> <tr><td>Part No.</td><td>6313</td></tr> <tr><td>CH part name</td><td>过桥箱盖轴承</td></tr> <tr><td>EN part name</td><td>Row-steep roller bearing</td></tr> <tr><td>RU part name</td><td>Подшипник</td></tr> <tr><td>Size:mm</td><td>65*140*33</td></tr> <tr><td>Weight:kg</td><td>3.4</td></tr> <tr><td>NO.</td><td>NO.49-58</td></tr> </table>	Part No.	6313	CH part name	过桥箱盖轴承	EN part name	Row-steep roller bearing	RU part name	Подшипник	Size:mm	65*140*33	Weight:kg	3.4	NO.	NO.49-58	
Part No.	WG9981320123																																
CH part name	过桥箱盖油封																																
EN part name	Oil seal																																
RU part name	Сальник хвостовика																																
Size:mm	105*105*8																																
Weight:kg	0.25																																
NO.	NO.49-56-57																																
Part No.	6313																																
CH part name	过桥箱盖轴承																																
EN part name	Row-steep roller bearing																																
RU part name	Подшипник																																
Size:mm	65*140*33																																
Weight:kg	3.4																																
NO.	NO.49-58																																
Remarks:HOWO AC16 WG9981320124			Remarks:HOWO AC16																														
KD0959			KD0960																														
	<table border="1"> <tr><td>Part No.</td><td>AZ9981320126</td></tr> <tr><td>CH part name</td><td>主轴滑动齿合套</td></tr> <tr><td>EN part name</td><td>Shift sleeve</td></tr> <tr><td>RU part name</td><td>сдвиг в рукаве</td></tr> <tr><td>Size:mm</td><td></td></tr> <tr><td>Weight:kg</td><td>1.06</td></tr> <tr><td>NO.</td><td>NO.49-59</td></tr> </table>	Part No.	AZ9981320126	CH part name	主轴滑动齿合套	EN part name	Shift sleeve	RU part name	сдвиг в рукаве	Size:mm		Weight:kg	1.06	NO.	NO.49-59			<table border="1"> <tr><td>Part No.</td><td>WG9981320127</td></tr> <tr><td>CH part name</td><td>主轴滑动齿合套拨叉</td></tr> <tr><td>EN part name</td><td>Selector fork</td></tr> <tr><td>RU part name</td><td>Вилка</td></tr> <tr><td>Size:mm</td><td></td></tr> <tr><td>Weight:kg</td><td>0.65</td></tr> <tr><td>NO.</td><td>NO.49-60</td></tr> </table>	Part No.	WG9981320127	CH part name	主轴滑动齿合套拨叉	EN part name	Selector fork	RU part name	Вилка	Size:mm		Weight:kg	0.65	NO.	NO.49-60	
Part No.	AZ9981320126																																
CH part name	主轴滑动齿合套																																
EN part name	Shift sleeve																																
RU part name	сдвиг в рукаве																																
Size:mm																																	
Weight:kg	1.06																																
NO.	NO.49-59																																
Part No.	WG9981320127																																
CH part name	主轴滑动齿合套拨叉																																
EN part name	Selector fork																																
RU part name	Вилка																																
Size:mm																																	
Weight:kg	0.65																																
NO.	NO.49-60																																
Remarks:HOWO AC16			Remarks:HOWO AC16																														
KD0961			KD0962																														



Email: ventas@sdpartsdelivery.com

Email: ventas@sdpartsdelivery.com

Website: <http://www.sdpartsdelivery.com>

	Part No.	AZ9981320211		Part No.	AZ9981320130
	CH part name	调整垫片		CH part name	主动圆柱齿轮总成
	EN part name	Washer		EN part name	Passive column gear
	RU part name	шайба		RU part name	Ведомая шестерня
	Size:mm			Size:mm	205*205*45
	Weight:kg	0.38		Weight:kg	11.7
	NO.	NO.49-61		NO.	NO.49-62
Remarks:HOWO AC16			Remarks:HOWO AC16		

KD0963			KD0964		
	Part No.	AZ9231320221		Part No.	WG9231320227
	CH part name	轴间差速器十字轴衬套		CH part name	行星齿轮
	EN part name	Camshaft bush		EN part name	Planet gear
	RU part name	Втулка тормозного вала задняя		RU part name	Сателлиты
	Size:mm			Size:mm	
	Weight:kg	0.04		Weight:kg	0.7
	NO.	NO.49-68		NO.	NO.49-66
Remarks:HOWO AC16			Remarks:HOWO AC16 AZ9231320227		



KD0965			KD0966		
	Part No.	WG9981320139		Part No.	WG9981320133
	CH part name	轴间差速器十字轴		CH part name	锁紧螺母
	EN part name	Cross axle		EN part name	Adjusting nut
	RU part name	Крестовина		RU part name	запирающий гайка
	Size:mm	185*185*27		Size:mm	
	Weight:kg	2.15		Weight:kg	0.115
	NO.	NO.49-70		NO.	NO.49-71

Email: ventas@sdpartsdelivery.com

Email: ventas@sdpartsdelivery.com

Website: <http://www.sdpartsdelivery.com>

Remarks:HOWO AC16 AZ9981320139			Remarks:HOWO AC16		
KD0967			KD0968		
	Part No.	WG9981320166		Part No.	WG9981320167
	CH part name	后半轴齿轮总成		CH part name	后半轴齿轮衬套
	EN part name	Drive shaft gear (rear)		EN part name	Bush
	RU part name	Шестерня полуоси задняя		RU part name	втулка шестерни
	Size:mm	170*120*120		Size:mm	
	Weight:kg	1.2		Weight:kg	0.03
	NO.	NO.49-72		NO.	NO.49-73
Remarks:HOWO AC16			Remarks:HOWO AC16		
KD0969			KD0970		
	Part No.	6216		Part No.	WG9981320141
	CH part name	主轴内轴承		CH part name	轴间半轴齿轮后垫片
	EN part name	Bearing		EN part name	Axle shaft gear washer
	RU part name	Подшипник		RU part name	Шайба шестерни полуоси
	Size:mm	80*140*26		Size:mm	
	Weight:kg	1.65		Weight:kg	0.1
	NO.	NO.49-75		NO.	NO.49-74
Remarks:HOWO AC16			Remarks:HOWO AC16 AZ9981320145 AZ9981320141		

KD0971			KD0972		
	Part No.	WG9231326212		Part No.	WG9981320147
	CH part name	贯通轴轴承		CH part name	贯通轴
	EN part name	Gear		EN part name	Perforation shaft
	RU part name	передача		RU part name	Проходной вал
	Size:mm			Size:mm	

Email: ventas@sdpartsdelivery.com

Email: ventas@sdpartsdelivery.com


Website: <http://www.sdpartsdelivery.com>

	Weight:kg	0.78		Weight:kg	10.05
	NO.	NO.49-77		NO.	NO.49-76
Remarks:HOWO AC16			Remarks:HOWO AC16		
KD0973			KD0974		
	Part No.	WG9981320148		Part No.	WG9981320149
	CH part name	锁紧垫片		CH part name	锁紧螺母
	EN part name	Locking shim		EN part name	Lock nut
	RU part name	запирающий прокладка		RU part name	запирающий гайка
	Size:mm			Size:mm	
	Weight:kg	0.01		Weight:kg	0.11
	NO.	NO.49-78		NO.	NO.49-79
Remarks:HOWO AC16			Remarks:HOWO AC16		
KD0975			KD0976		
	Part No.	WG9981320162		Part No.	WG9981320163
	CH part name	贯通轴油封		CH part name	调整螺母
	EN part name	Grease packing		EN part name	Adjusting nut
	RU part name	сальник		RU part name	регулирующая гайка
	Size:mm			Size:mm	
	Weight:kg	0.3		Weight:kg	0.75
	NO.	NO.49-80-81		NO.	NO.49-82
Remarks:HOWO AC16 WG9981320161			Remarks:HOWO AC16 AZ9981320163		
KD0978			KD0979		
	Part No.	AZ9981320071		Part No.	AZ9981320072
	CH part name	固定齿合套		CH part name	滑动齿合套
	EN part name	Fixed engage cowl		EN part name	Sliding engage cowl
	RU part name	Неподвижная зубчатая муфта		RU part name	Подвижная зубчатая муфта



Email: ventas@sdpartsdelivery.com

Email: ventas@sdpartsdelivery.com

Website: <http://www.sdpartsdelivery.com>

	Size:mm			Size:mm	120*120*60
	Weight:kg	1.02		Weight:kg	1.65
	NO.	NO.49-83		NO.	NO.49-85
Remarks:HOWO AC16			Remarks:HOWO AC16		

KD0980			KD0981		
	Part No.	AZ9981320235		Part No.	AZ9981320171
	CH part name	后桥中段 I=5.45,Φ165		CH part name	后桥主减壳
	EN part name	In the middle of the bridge		EN part name	Housing reducer
	RU part name	В середине моста		RU part name	differehousing reducertial рычаг, астрид.
	Size:mm	450*450*550		Size:mm	
	Weight:kg	115		Weight:kg	25
	NO.	NO.50		NO.	NO.50-1
Remarks:HOWO AC16 AZ9981320231 i=6.5,φ165			Remarks:HOWO AC16		

KD0982			KD0983		
	Part No.	AZ9981320035		Part No.	WG9231320913
	CH part name	后桥轴承盖		CH part name	后桥锥齿轮付 (28/17)
	EN part name	Bearing seat		EN part name	Passive taper gear
	RU part name	Ступица передняя		RU part name	пассивный сосуду лова
	Size:mm	365*365*230		Size:mm	300*310*250
	Weight:kg	30		Weight:kg	30

Email: ventas@sdpartsdelivery.com

Email: ventas@sdpartsdelivery.com

Website: <http://www.sdpartsdelivery.com>

	NO.	NO.50-2		NO.	NO.50-16-17
Remarks:HOWO AC16			Remarks:HOWO AC16		
KD0984			KD0985		
	Part No.	AZ9981320037		Part No.	WG998132315B
	CH part name	挡油盘		CH part name	盆角齿内轴承
	EN part name	Oil flake		EN part name	Bearing
	RU part name	нефть чешуйчатый		RU part name	Подшипник
	Size:mm			Size:mm	140*80*35
	Weight:kg	0.06		Weight:kg	4.3
	NO.	NO.50-40		NO.	NO.50-41
Remarks:HOWO AC16			Remarks:HOWO AC16		
KD0986			KD0987		
	Part No.	AZ9981320038		Part No.	WG9981031313
	CH part name	后盆角齿隔套		CH part name	盆角齿外轴承
	EN part name	Space bush		EN part name	Row-steep roller bearing31313
	RU part name	пространство буша		RU part name	ряд bearing31313 крутых каток
	Size:mm			Size:mm	140*65
	Weight:kg	0.35		Weight:kg	3.5
	NO.	NO.50-43		NO.	NO.50-42
Remarks:HOWO AC16			Remarks:HOWO AC16		

Email: ventas@sdpartsdelivery.com

Email: ventas@sdpartsdelivery.com


Website: <http://www.sdpartsdelivery.com>

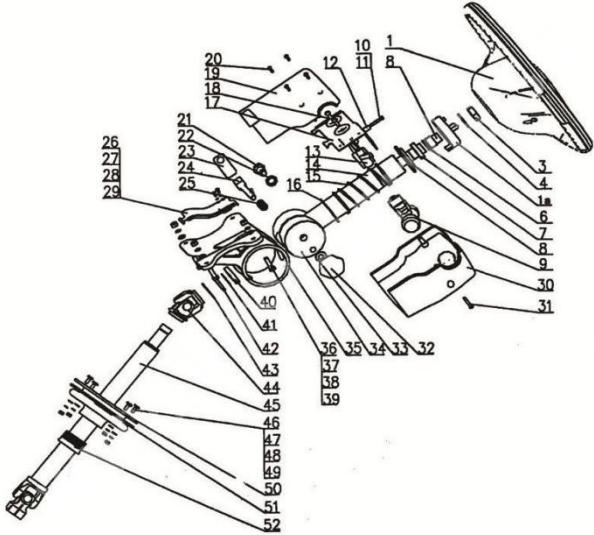


Rear axle reducer		NO.50																													
	KD0988																														
			<table border="1"> <tr><td>Part No.</td><td>WG9981320036</td></tr> <tr><td>CH part name</td><td>组合油封</td></tr> <tr><td>EN part name</td><td>Combination oil seal</td></tr> <tr><td>RU part name</td><td>комбинированный сальник</td></tr> <tr><td>Size:mm</td><td></td></tr> <tr><td>Weight:kg</td><td>0.35</td></tr> <tr><td>NO.</td><td>NO.50-45</td></tr> </table>	Part No.	WG9981320036	CH part name	组合油封	EN part name	Combination oil seal	RU part name	комбинированный сальник	Size:mm		Weight:kg	0.35	NO.	NO.50-45														
	Part No.	WG9981320036																													
	CH part name	组合油封																													
	EN part name	Combination oil seal																													
	RU part name	комбинированный сальник																													
	Size:mm																														
	Weight:kg	0.35																													
	NO.	NO.50-45																													
	Remarks:HOWO AC16																														
KD0989																															
		<table border="1"> <tr><td>Part No.</td><td>WG9981320115</td></tr> <tr><td>CH part name</td><td>输入法兰总成(φ165)</td></tr> <tr><td>EN part name</td><td>Flange</td></tr> <tr><td>RU part name</td><td>Фланец среднего моста 165mm 8 отверстии</td></tr> <tr><td>Size:mm</td><td>165*165*80</td></tr> <tr><td>Weight:kg</td><td>3.4</td></tr> <tr><td>NO.</td><td>NO.50-46</td></tr> </table>	Part No.	WG9981320115	CH part name	输入法兰总成(φ165)	EN part name	Flange	RU part name	Фланец среднего моста 165mm 8 отверстии	Size:mm	165*165*80	Weight:kg	3.4	NO.	NO.50-46															
Part No.	WG9981320115																														
CH part name	输入法兰总成(φ165)																														
EN part name	Flange																														
RU part name	Фланец среднего моста 165mm 8 отверстии																														
Size:mm	165*165*80																														
Weight:kg	3.4																														
NO.	NO.50-46																														
Remarks:HOWO AC16																															
KD0990		KD0991																													
	<table border="1"> <tr><td>Part No.</td><td>WG9719470100</td></tr> <tr><td>CH part name</td><td>转向盘</td></tr> <tr><td>EN part name</td><td>Steering wheel</td></tr> <tr><td>RU part name</td><td>Рулевое колесо</td></tr> <tr><td>Size:mm</td><td>450*450*250</td></tr> <tr><td>Weight:kg</td><td>3.65</td></tr> <tr><td>NO.</td><td>NO.51-1</td></tr> </table>	Part No.	WG9719470100	CH part name	转向盘	EN part name	Steering wheel	RU part name	Рулевое колесо	Size:mm	450*450*250	Weight:kg	3.65	NO.	NO.51-1		<table border="1"> <tr><td>Part No.</td><td>AZ9719470050</td></tr> <tr><td>CH part name</td><td>转向轴带管柱总成</td></tr> <tr><td>EN part name</td><td>Steering tube assembly</td></tr> <tr><td>RU part name</td><td>Рулевой вал в сборе с рулевой колонкой</td></tr> <tr><td>Size:mm</td><td>980*200*170</td></tr> <tr><td>Weight:kg</td><td>14</td></tr> <tr><td>NO.</td><td>NO.51-2</td></tr> </table>	Part No.	AZ9719470050	CH part name	转向轴带管柱总成	EN part name	Steering tube assembly	RU part name	Рулевой вал в сборе с рулевой колонкой	Size:mm	980*200*170	Weight:kg	14	NO.	NO.51-2
Part No.	WG9719470100																														
CH part name	转向盘																														
EN part name	Steering wheel																														
RU part name	Рулевое колесо																														
Size:mm	450*450*250																														
Weight:kg	3.65																														
NO.	NO.51-1																														
Part No.	AZ9719470050																														
CH part name	转向轴带管柱总成																														
EN part name	Steering tube assembly																														
RU part name	Рулевой вал в сборе с рулевой колонкой																														
Size:mm	980*200*170																														
Weight:kg	14																														
NO.	NO.51-2																														
Remarks:HOWO AZ9719470100		Remarks:HOWO																													

Email: ventas@sdpartsdelivery.com

Email: ventas@sdpartsdelivery.com

Website: <http://www.sdpartsdelivery.com>

KD0992		KD0993	
	Part No.	WG9130583019	
	CH part name	钥匙起动开关	
	EN part name	Starting swith	
	RU part name	Замок зажигания	
	Size:mm	650*140*50	
	Weight:kg	0.86	
	NO.	NO.51-9	
Remarks:HOWO AZ9130583019		Remarks:HOWO	



STEERING DEVICE NO.51		KD0994			
					
				Part No.	AZ9719470041
				CH part name	转向柱套(后部)
				EN part name	Rear cover of the steering column
				RU part name	Крышка рулевой колонки (сзади)
				Size:mm	220*220*60
				Weight:kg	0.16
			NO.	NO.51-19	
			Remarks:HOWO		
					KD0995
					
Part No.	AZ9719470042				
CH part name	转向柱罩(前部)				
EN part name	Front cover of the steering column				
RU part name	Крышка рулевой колонки (впереди)				
Size:mm	160*225*95				
Weight:kg	0.15				
NO.	NO.51-30				
Remarks:HOWO					

Email: ventas@sdpartsdelivery.com

Email: ventas@sdpartsdelivery.com

Website: <http://www.sdpartsdelivery.com>

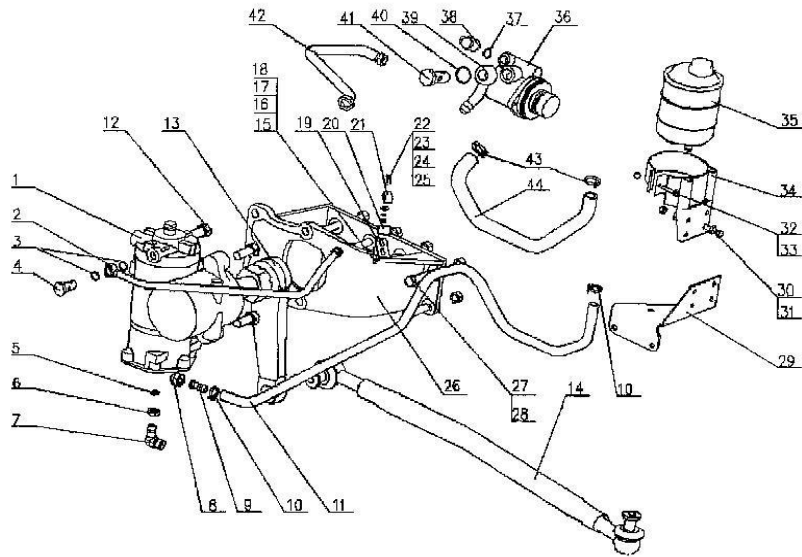
KD0996				KD0997			
	Part No.	AZ9719470043			Part No.	AZ9719470044	
	CH part name	转向轴万向节			CH part name	转向伸缩轴	
	EN part name	Knuckle			EN part name	Steering flexible shaft	
	RU part name	Крестовина вала карданного			RU part name	Вал карданный рулевой	
	Size:mm	100*60*60			Size:mm	450*70*70	
	Weight:kg	0.75			Weight:kg	3.85	
	NO.	NO.51-44			NO.	NO.51-45	
Remarks:HOWO 199100470102				Remarks:HOWO			
KD0998				KD0999			
	Part No.	AZ9100470225			Part No.	AZ9719470228	
	CH part name	动力转向器			CH part name	动力转向器	
	EN part name	Redirector			EN part name	Redirector	
	RU part name	Рулевой механизм			RU part name	Рулевой механизм	
	Size:mm	4502*290*250			Size:mm	4502*290*250	
	Weight:kg	40			Weight:kg	40	
	NO.	NO.52-1			NO.	NO.52-1	
Remarks:HOWO				Remarks:HOWO ZF8098 6*4 8*4			

4x2, 6x4HYDRAULIC STEERING SYSTEM		NO.52		KD1000			
	Part No.	AZ9719470029			Part No.	AZ9719470029	
	CH part name	压油管总成			CH part name	压油管总成	
	EN part name	Delivery line			EN part name	Delivery line	
	RU part name	давление масла			RU part name	давление масла	
	Size:mm				Size:mm		
	Weight:kg	0.6			Weight:kg	0.6	
	NO.	NO.52-2			NO.	NO.52-2	

Email: ventas@sdpartsdelivery.com

Email: ventas@sdpartsdelivery.com

Website: <http://www.sdpartsdelivery.com>





Remarks:HOWO		
KD1001		
	Part No.	AZ9731470051
	CH part name	压油管总成
	EN part name	Delivery line
	RU part name	давление масла
	Size:mm	890*115*325
	Weight:kg	0.54
	NO.	NO.52-2
Remarks:HOWO		
KD1002		
	Part No.	AZ9731470052
	CH part name	压油管总成
	EN part name	Delivery line
	RU part name	давление масла
	Size:mm	2450*390*30
	Weight:kg	1.5
	NO.	NO.52-2
Remarks:HOWO		
KD1003		
	Part No.	AZ9731470050
	CH part name	压油管总成
	EN part name	Delivery line
	RU part name	давление масла
	Size:mm	870*390*125
	Weight:kg	0.54
	NO.	NO.52-2
Remarks:HOWO		
KD1004		
	Part No.	AZ9731470053
	CH part name	压油管总成
	EN part name	Delivery line
	RU part name	давление масла
	Size:mm	2450*450*30
Remarks:HOWO		
KD1005		
	Part No.	WG9725470050
	CH part name	带纤维夹层的橡胶软管
	EN part name	Oil return pipe
	RU part name	Маслоотводящий шланг
	Size:mm	900*20

Email: ventas@sdpartsdelivery.com



Email: ventas@sdpartsdelivery.com

Website: <http://www.sdpartsdelivery.com>



	Weight:kg	1.5		Weight:kg	0.21
	NO.	NO.52-2		NO.	NO.52-11
Remarks:HOWO			Remarks:HOWO		

KD1006			KD1007		
	Part No.	WG9719470020		Part No.	WG9100470107
	CH part name	转向摇臂		CH part name	高压软管
	EN part name	Drop arm		EN part name	High pressure tube
	RU part name	Рулевая сошка		RU part name	Шланг высокого давления
	Size:mm	386*98*44		Size:mm	373*65*26
	Weight:kg	5.46		Weight:kg	0.53
	NO.	NO.52-13		NO.	NO.52-42

Remarks:HOWO 8098

KD1008			KD1009		
	Part No.	WG9725470298		Part No.	AZ9719470228-XLB
	CH part name	转向摇臂		CH part name	转向机修理包
	EN part name	Drop arm		EN part name	Redirector repair kit (ZF8098)
	RU part name	Рулевая сошка		RU part name	Ремкомплект рулевого механизма
	Size:mm	390*100*65		Size:mm	130*130*45
	Weight:kg	5.5		Weight:kg	0.3
	NO.	NO.52-13		NO.	NO.52-1



Remarks:HOWO 8095 WG9725470215

KD1010			KD1011		
	Part No.	WG9725470295		Part No.	AZ9100470225-XLB
	CH part name	转向器支架		CH part name	转向机修理包
	EN part name	Steering bracket		EN part name	Redirector repair kit (ZF8095)
	RU part name	рулевое устройство кронштейн		RU part name	Ремкомплект рулевого механизма
	Size:mm	4902*250*290		Size:mm	130*130*45

Email: ventas@sdpartsdelivery.com

Email: ventas@sdpartsdelivery.com

Website: <http://www.sdpartsdelivery.com>

	Weight:kg	40		Weight:kg	0.3
	NO.	NO.52-26		NO.	NO.52-1
Remarks:HOWO			Remarks:HOWO		
KD1012			KD1013		
	Part No.	WG9719470033		Part No.	WG9719470037
	CH part name	转向油罐		CH part name	转向助力泵
	EN part name	Oil tank		EN part name	Hydraulic pump
	RU part name	Бачок гидросистемы		RU part name	Лопастный насос гидроусилителя
	Size:mm	220*140		Size:mm	155*145
	Weight:kg	1.9		Weight:kg	5.39
	NO.	NO.52-35		NO.	NO.52-36
Remarks:HOWO			Remarks:HOWO ZF8098		

KD1014			KD1015		
	Part No.	WG9619470080		Part No.	WG9631470060
	CH part name	转向助力泵		CH part name	转向助力泵
	EN part name	Hydraulic pump		EN part name	Hydraulic pump
	RU part name	Лопастный насос гидроусилителя		RU part name	Лопастный насос гидроусилителя
	Size:mm	155*145		Size:mm	160*150*150
	Weight:kg	5.39		Weight:kg	5.35
	NO.	NO.52-36		NO.	NO.52-36
Remarks:HOWO ZF8095			Remarks:HOWO WD618		
KD1016			KD1017		
	Part No.	190003962651		Part No.	WG2032470140
	CH part name	空心螺栓		CH part name	高压软管
	EN part name	Female screw		EN part name	High pressure tube
	RU part name	полый болт		RU part name	Шланг высокого давления

Email: ventas@sdpartsdelivery.com

Email: ventas@sdpartsdelivery.com

Website: <http://www.sdpartsdelivery.com>

	Size:mm	
	Weight:kg	0.05
	NO.	NO.52-41

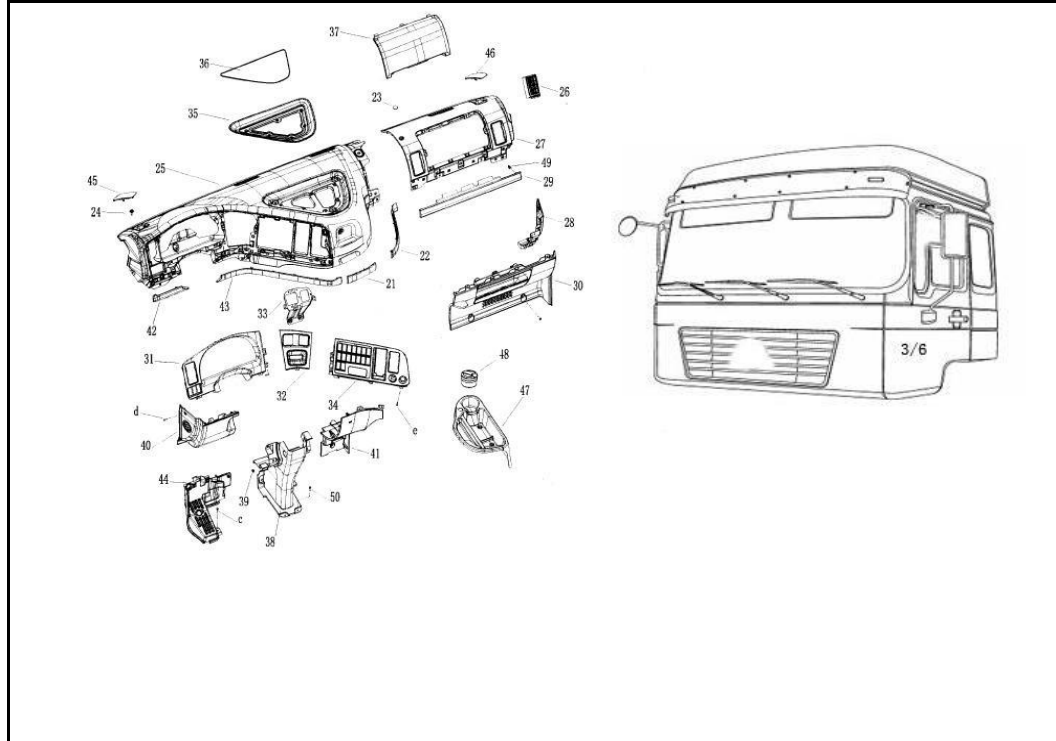


	Size:mm	
	Weight:kg	0.45
	NO.	NO.52-42

Remarks: HOWO

Remarks: HOWO

CAB BODY SHELL/DASHBOARD **NO.53**



KD1018



Part No.	WG9725470120
CH part name	成型软管
EN part name	Hose
RU part name	Фасонный шланг
Size:mm	325*110*32
Weight:kg	0.19
NO.	NO.52-44

Remarks: HOWO

KD1019



Part No.	HOWO HW79
CH part name	高顶驾驶室总成
EN part name	High roof cabin assy.
RU part name	Кабина в сборе высокой крышки
Size:mm	2500*2280*2750
Weight:kg	1000
NO.	NO.53

Remarks: HOWO

KD1020		
	Part No.	HOWO HW76
	CH part name	驾驶室总成

KD1021		
	Part No.	AZ1641100001
	CH part name	HW70 标准驾驶室本体总成

Email: ventas@sdpartsdelivery.com

Email: ventas@sdpartsdelivery.com



Website: <http://www.sdpartsdelivery.com>



	EN part name RU part name Size:mm Weight:kg NO.	Standard lengthened cabin assy. Кабина длинная в сборе 2500*2280*2350 850 		EN part name RU part name Size:mm Weight:kg NO.	Cab body такси органа Ассамблеи 2450*2200*2300 500 NO.53
Remarks: HOWO			Remarks: HOWO		
KD1022			KD1023		
	Part No. CH part name EN part name RU part name Size:mm Weight:kg NO.	HOWO HW70 驾驶室总成 (新) Standard lengthened cabin assy. Кабина длинная в сборе 2500*2280*2350 750 NO.53		Part No. CH part name EN part name RU part name Size:mm Weight:kg NO.	AZ1642210001A 左车门总成 Left door assy. Дверь левая в сборе 1950*1100*300 36.9 NO.53-3
Remarks: HOWO			Remarks: HOWO		
KD1024			KD1025		
	Part No. CH part name EN part name RU part name Size:mm Weight:kg NO.	AZ1642210001 左车门本体 Left door body левый дверь онтология 1950*1100*300 29.1 NO.53-3		Part No. CH part name EN part name RU part name Size:mm Weight:kg NO.	AZ1642210002A 右车门总成 Right door assy. Дверь правая в сборе 1950*1100*300 36.9 NO.53-6
Remarks: HOWO			Remarks: HOWO		
KD1026			KD1027		
	Part No. CH part name	WG1642160120 司机侧仪表台总成		Part No. CH part name	AZ1642210002 右车门本体

Email: ventas@sdpartsdelivery.com

Email: ventas@sdpartsdelivery.com

Website: <http://www.sdpartsdelivery.com>

	EN part name	Switch panel left		EN part name	Right door body
	RU part name	такси органа Ассамблеи		RU part name	онтология правой двери
	Size:mm	1547*760*330		Size:mm	1950*1100*300
	Weight:kg	5.45		Weight:kg	29.1
	NO.	NO.53-25		NO.	NO.53-6
Remarks: HOWO			Remarks: HOWO		

KD1028			KD1029		
	Part No.	AZ1642160150		Part No.	WG1642160170
	CH part name	出风口总成		CH part name	副司机侧仪表台总成
	EN part name	Air nozzle		EN part name	Switch panel right
	RU part name	на выходе Ассамблеи		RU part name	боковой панель
	Size:mm			Size:mm	
	Weight:kg	0.25		Weight:kg	0.95
	NO.	NO.53-26		NO.	NO.53-27

Remarks: HOWO

KD1030			KD1031		
	Part No.	AZ1642160175		Part No.	WG1642160172
	CH part name	副司机侧装饰条总成		CH part name	副司机侧仪表台下护面侧盖总成
	EN part name	Profile		EN part name	Side cover
	RU part name	профиль		RU part name	боковой крышка покрыта
	Size:mm			Size:mm	
	Weight:kg	0.12		Weight:kg	0.54
	NO.	NO.53-29		NO.	NO.53-28




Remarks: HOWO

KD1032			KD1033		
	Part No.	WG1642160177		Part No.	WG1642160183

Email: ventas@sdpartsdelivery.com

Email: ventas@sdpartsdelivery.com







Website: <http://www.sdpartsdelivery.com>

	CH part name	副司机侧仪表台下护面总成		CH part name	仪表板盖板总成
	EN part name	Protection plate		EN part name	Cover
	RU part name	защита плита		RU part name	панель накладка
	Size:mm			Size:mm	
	Weight:kg	0.43		Weight:kg	0.23
	NO.	NO.53-30		NO.	NO.53-31
Remarks: HOWO			Remarks: HOWO		
KD1034			KD1035		
	Part No.	WG1642160186		Part No.	WG1642160190
	CH part name	手制动阀盖板总成		CH part name	开关面板总成
	EN part name	Hand brake valve cover plate		EN part name	Switch panel
	RU part name	ручной тормозной клапан накладка		RU part name	переключатель группа Ассамблеи
	Size:mm			Size:mm	
	Weight:kg	0.02		Weight:kg	0.21
NO.	NO.53-32	NO.	NO.53-34		
Remarks: HOWO			Remarks: HOWO		
KD1036			KD1037		
	Part No.	WG1642160213		Part No.	WG1642160215
	CH part name	仪表台中上部盖板		CH part name	电器箱盖总成
	EN part name	Middle and upper cover plate		EN part name	Electric box cover assembly
	RU part name	верхняя накладка в		RU part name	электрическое поле покрытия Ассамблеи
	Size:mm			Size:mm	
	Weight:kg	0.05		Weight:kg	0.85
NO.	NO.53-35	NO.	NO.53-37		
Remarks: HOWO			Remarks: HOWO		

Email: ventas@sdpartsdelivery.com

Email: ventas@sdpartsdelivery.com

Website: <http://www.sdpartsdelivery.com>



KD1038			KD1039		
	Part No.	AZ1642160217		Part No.	WG1642160218
	CH part name	转向柱下护罩		CH part name	转向柱左侧下护面总成
	EN part name	Protection cover		EN part name	Protection cover left
	RU part name	рулевой колонки нижний щит		RU part name	защита охватывала слева
	Size:mm	430*300*100		Size:mm	
	Weight:kg	0.51		Weight:kg	0.54
	NO.	NO.53-38		NO.	NO.53-40
Remarks: HOWO			Remarks: HOWO		
KD1040			KD1041		
	Part No.	WG1642160230		Part No.	AZ1642160232
	CH part name	转向柱右侧下护面总成		CH part name	转向柱左侧装饰条总成
	EN part name	Protection cover right		EN part name	Garnish profile left
	RU part name	защите охватывают права		RU part name	гарнир профиль слева
	Size:mm			Size:mm	
	Weight:kg	0.35		Weight:kg	0.15
	NO.	NO.53-41		NO.	NO.53-42
Remarks: HOWO			Remarks: HOWO		
KD1042			KD1043		
	Part No.	WG1642160236		Part No.	AZ1642160234
	CH part name	搁脚台总成		CH part name	转向柱右侧装饰条总成
	EN part name	Step		EN part name	Garnish profile right
	RU part name	Таблица Ассамблеи шельфа		RU part name	право украсить профиль
	Size:mm			Size:mm	
	Weight:kg	0.67		Weight:kg	0.3
	NO.	NO.53-44		NO.	NO.53-43

Email: ventas@sdpartsdelivery.com



Email: ventas@sdpartsdelivery.com

Website: <http://www.sdpartsdelivery.com>

Remarks: HOWO	Remarks: HOWO
---------------	---------------

KD1044			KD1045		
	Part No.	AZ1642160243		Part No.	WG1642160242
	CH part name	便携式烟灰缸总成		CH part name	发动机罩储物盒
	EN part name	Ashtray		EN part name	Storage box
	RU part name	пепельница.		RU part name	коробку
	Size:mm			Size:mm	
	Weight:kg	0.21		Weight:kg	0.12
	NO.	NO.53-48		NO.	NO.53-47

Remarks: HOWO	Remarks: HOWO
---------------	---------------

KD1046			KD1047		
	Part No.	WG1642610001		Part No.	WG1641610001
	CH part name	顶盖内衬总成		CH part name	标准顶盖内衬总成
	EN part name	Roof plate		EN part name	Roof plate
	RU part name	плита крыши		RU part name	плита крыши
	Size:mm			Size:mm	
	Weight:kg	5.4		Weight:kg	5
	NO.	NO.54-1		NO.	NO.54-1

Remarks: HOWO For long cab	Remarks: HOWO For standard cab
----------------------------	--------------------------------

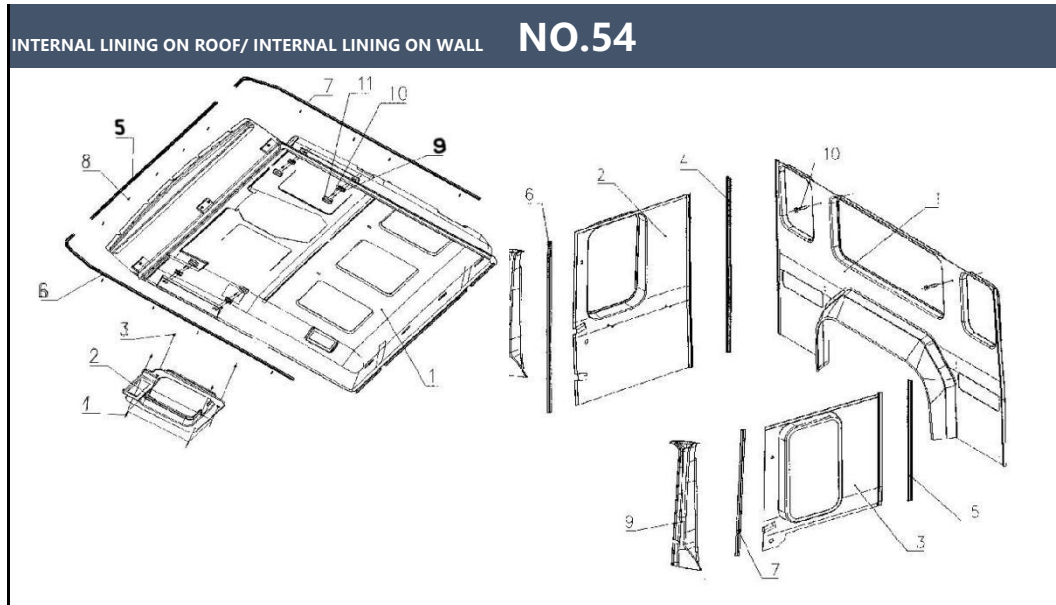
KD1048			KD1049		
	Part No.	WG1642610018		Part No.	WG1644610002
	CH part name	顶窗护框		CH part name	高顶前围内护面
	EN part name	Protecting frame		EN part name	Front internal lining for high-roof
	RU part name	защита кадр		RU part name	назад в пределах доспехи
	Size:mm			Size:mm	


Email: ventas@sdpartsdelivery.com

Email: ventas@sdpartsdelivery.com

Website: <http://www.sdpartsdelivery.com>

	Weight:kg	0.35		Weight:kg	0.55
	NO.	NO.54-2		NO.	NO.54-17
Remarks: HOWO For long,standard cab			Remarks: HOWO For high-roof cab		
KD1050			KD1051		
	Part No.	WG1644610004		Part No.	WG1644610003
	CH part name	高顶右内护面总成		CH part name	高顶左内护面总成
	EN part name	Right internal lining for high-roof		EN part name	Left internal lining for high-roof
	RU part name	Право внутренних доспехи		RU part name	Право внутренних доспехи
	Size:mm			Size:mm	
	Weight:kg	0.23		Weight:kg	0.23
	NO.	NO.54-18		NO.	NO.54-19
Remarks: HOWO For high-roof cab			Remarks: HOWO For high-roof cab		



KD1052		
	Part No.	WG1642610021
	CH part name	出风口
	EN part name	Air nozzle
	RU part name	фурма
	Size:mm	
	Weight:kg	0.03
	NO.	NO.54-21
Remarks: HOWO For high-roof cab		
KD1053		
	Part No.	WG1642610006
	CH part name	后围内衬
	EN part name	Rear panelling

Email: ventas@sdpartsdelivery.com

Email: ventas@sdpartsdelivery.com

Website: <http://www.sdpartsdelivery.com>

						<table border="1"> <tr> <td>RU part name</td> <td>После всесторонним накладки</td> </tr> <tr> <td>Size:mm</td> <td></td> </tr> <tr> <td>Weight:kg</td> <td>1.02</td> </tr> <tr> <td>NO.</td> <td>NO.54-1</td> </tr> </table>		RU part name	После всесторонним накладки	Size:mm		Weight:kg	1.02	NO.	NO.54-1
RU part name	После всесторонним накладки														
Size:mm															
Weight:kg	1.02														
NO.	NO.54-1														
			Remarks: HOWO For long,standard cab												
KD1054			KD1055												
	Part No.	WG1641610005		Part No.	WG1642610008										
	CH part name	右侧围内衬		CH part name	左侧围内衬										
	EN part name	Right panelling		EN part name	Left panelling										
	RU part name	справа всесторонним накладки		RU part name	левой всесторонним н										
	Size:mm			Size:mm											
	Weight:kg	0.25		Weight:kg	0.25										
	NO.	NO.54-2		NO.	NO.54-3										
Remarks: HOWO For standard cab			Remarks: HOWO For standard cab												
KD1056			KD1057												
	Part No.	WG1642610011		Part No.	WG1642610012										
	CH part name	左 A 立柱内护面		CH part name	右 A 立柱内护面										
	EN part name	Panelling for A pole left		EN part name	Panelling for A pole right										
	RU part name	левый стоек в доспехи		RU part name	право стоек в доспехи										
	Size:mm			Size:mm											
	Weight:kg	0.2		Weight:kg	0.2										
	NO.	NO.54-9		NO.	NO.54-8										
Remarks: HOWO			Remarks: HOWO												
KD1058			KD1059												
	Part No.	WG1642610013		Part No.	WG1642770006										

Email: ventas@sdpartsdelivery.com

Email: ventas@sdpartsdelivery.com



Website: <http://www.sdpartsdelivery.com>

	CH part name	车门密封条		CH part name	顶窗盖板焊接总成
	EN part name	Seal strip for door		EN part name	Roof flap
	RU part name	уплотнение двери		RU part name	из окна накладка
	Size:mm			Size:mm	
	Weight:kg	0.6		Weight:kg	4.3
	NO.	NO.54-12		NO.	NO.55-1
Remarks: HOWO			Remarks: HOWO		
KD1060			KD1061		
	Part No.	WG1642770009		Part No.	WG1642770008
	CH part name	顶窗密封条		CH part name	顶窗盖内护面
	EN part name	Seal profile		EN part name	Internal lining
	RU part name	печать профиль		RU part name	из окна в доспехи
	Size:mm			Size:mm	
	Weight:kg	0.5		Weight:kg	0.2
NO.	NO.55-4	NO.	NO.55-2		
Remarks: HOWO			Remarks: HOWO		
KD1062			KD1063		
	Part No.	WG1642770011		Part No.	WG1642770007
	CH part name	铰链		CH part name	开关机构总成
	EN part name	Hinge		EN part name	Switch
	RU part name	петля		RU part name	выключатель
	Size:mm			Size:mm	
	Weight:kg	0.15		Weight:kg	2.5
NO.	NO.55-5	NO.	NO.55-9		
Remarks: HOWO			Remarks: HOWO		
KD1064			KD1065		

Email: ventas@sdpartsdelivery.com

Email: ventas@sdpartsdelivery.com

Website: <http://www.sdpartsdelivery.com>




	Part No.	AZ1642510001		Part No.	AZ1646510021
	CH part name	右座椅总成		CH part name	HOWO 右座椅
	EN part name	Right seat		EN part name	Right seat
	RU part name	правое сиденье		RU part name	правое сиденье
	Size:mm	1000*530*860		Size:mm	1000*530*860
	Weight:kg	26		Weight:kg	26
	NO.	NO.55-1		NO.	NO.55-1
Remarks: HOWO For drive right			Remarks: HOWO For drive right		


ROOF FLAP/ SEATS,SAFETY BELT NO.55		KD1066		
			Part No.	AZ1642510002
			CH part name	左座椅总成
			EN part name	Left seat
			RU part name	левый сиденья в сборе
			Size:mm	610*540*1075
			Weight:kg	26
			NO.	NO.55-2
Remarks: HOWO				
		KD1067		
			Part No.	AZ1646510022
			CH part name	左座椅
			EN part name	Left seat
			RU part name	левый сиденья в сборе
			Size:mm	
			Weight:kg	26
		NO.	NO.55-2	
Remarks: HOWO				

Email: ventas@sdpartsdelivery.com

Email: ventas@sdpartsdelivery.com

Website: <http://www.sdpartsdelivery.com>

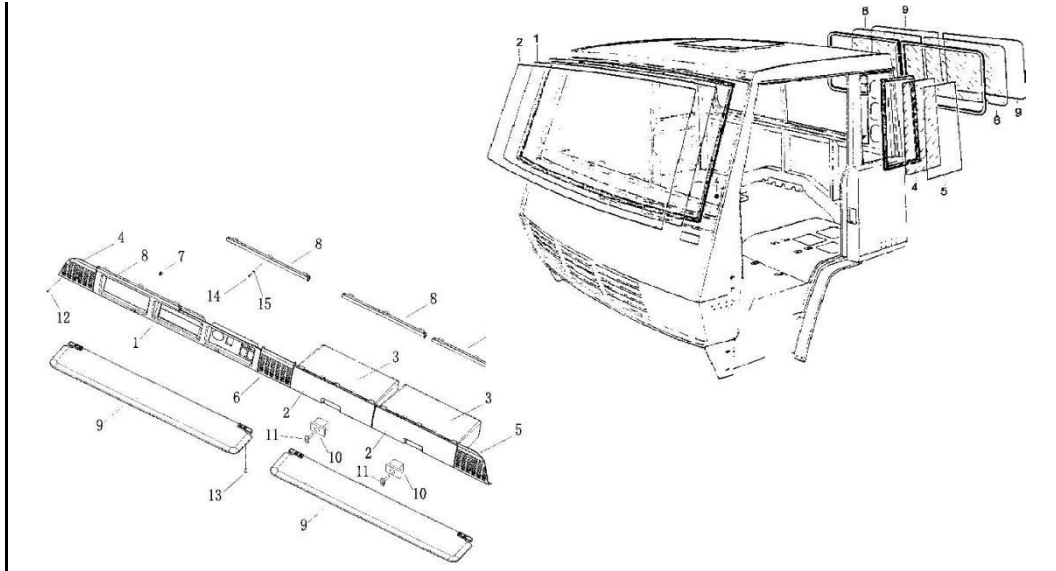
KD1068				KD1069			
	Part No.	WG1642560010			Part No.	WG1641560010	
	CH part name	中长驾驶室安全带			CH part name	短驾驶室安全带	
	EN part name	Safety belt			EN part name	Safety belt	
	RU part name	ремень безопасности			RU part name	ремень безопасности	
	Size:mm				Size:mm		
	Weight:kg	0.5			Weight:kg	0.5	
	NO.	NO.55-9			NO.	NO.55-9	
Remarks: HOWO For long,high-roof cab				Remarks: HOWO For standard cab			
KD1070				KD1071			
	Part No.	WG1642770013			Part No.	WG1642770012	
	CH part name	杂品箱盖			CH part name	杂品箱上护面	
	EN part name	Cover			EN part name	Protection lining	
	RU part name	различные товары в случае покрытия			RU part name	на доспехи	
	Size:mm				Size:mm		
	Weight:kg	0.6			Weight:kg	0.2	
	NO.	NO.56-2			NO.	NO.56-1	
Remarks: HOWO				Remarks: HOWO			

SUN VISOR,SHELF FOR STANDARD、LONG CAB WINDOW GLASS NO.56		KD1072			
			Part No.	WG1642770014	
			CH part name	杂品箱壳体总成	
			EN part name	Housing	
			RU part name	жилъе	
			Size:mm		
			Weight:kg	0.15	
			NO.	NO.56-3	

Email: ventas@sdpartsdelivery.com

Email: ventas@sdpartsdelivery.com

Website: <http://www.sdpartsdelivery.com>



Remarks: HOWO

KD1073		
	Part No.	WG1642770015
	CH part name	喇叭罩 (左)
	EN part name	Cover for horn left
	RU part name	рог покрытия
	Size:mm	
	Weight:kg	0.1
NO.	NO.56-4	

Remarks: HOWO

KD1074		
--------	--	--

	Part No.	WG1642770017
	CH part name	喇叭罩 (中)
	EN part name	Cover for horn middle
	RU part name	рог покрытия
	Size:mm	
	Weight:kg	0.1
	NO.	NO.56-6

KD1075		
--------	--	--

	Part No.	WG1642770016
	CH part name	喇叭罩 (右)
	EN part name	Cover for horn right
	RU part name	рог покрытия
	Size:mm	
	Weight:kg	0.1
	NO.	NO.56-5

Remarks: HOWO

KD1076		
--------	--	--

	Part No.	WG1642770018
	CH part name	铰链
	EN part name	Hinge
	RU part name	петли

Remarks: HOWO



KD1077		
--------	--	--

	Part No.	WG1642770010
	CH part name	遮阳板总成
	EN part name	Sun visor
	RU part name	козырек в сборе

Email: ventas@sdpartsdelivery.com



Email: ventas@sdpartsdelivery.com

Website: <http://www.sdpartsdelivery.com>

	Size:mm			Size:mm	
	Weight:kg	0.1		Weight:kg	0.5
	NO.	NO.56-8		NO.	NO.56-9
Remarks: HOWO			Remarks: HOWO For standard,long cab		

KD1078			KD1079		
	Part No.	WG1644770146		Part No.	115200160094
	CH part name	高顶遮阳板总成		CH part name	杂品箱锁
	EN part name	Sun visor		EN part name	Lock
	RU part name	козырек в сборе		RU part name	различные товары вставка замка
	Size:mm			Size:mm	
	Weight:kg	0.75		Weight:kg	0.02
	NO.	NO.56-16		NO.	NO.56-10

Remarks: HOWO For high-roof cab Remarks: HOWO

KD1080			KD1081		
	Part No.	WG1642710001		Part No.	WG1642710002
	CH part name	风挡玻璃		CH part name	风挡玻璃密封条
	EN part name	windshield		EN part name	Sealing frame for windshield
	RU part name	лобовое стекло		RU part name	стекло печать
	Size:mm	2450*800*10		Size:mm	
	Weight:kg	27		Weight:kg	2.5
	NO.	NO.56-1		NO.	NO.56-2

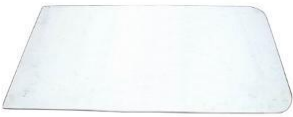

Remarks: HOWO Remarks: HOWO

KD1082			KD1083		
	Part No.	WG1642710003		Part No.	WG1642710004

Email: ventas@sdpartsdelivery.com

Email: ventas@sdpartsdelivery.com

Website: <http://www.sdpartsdelivery.com>




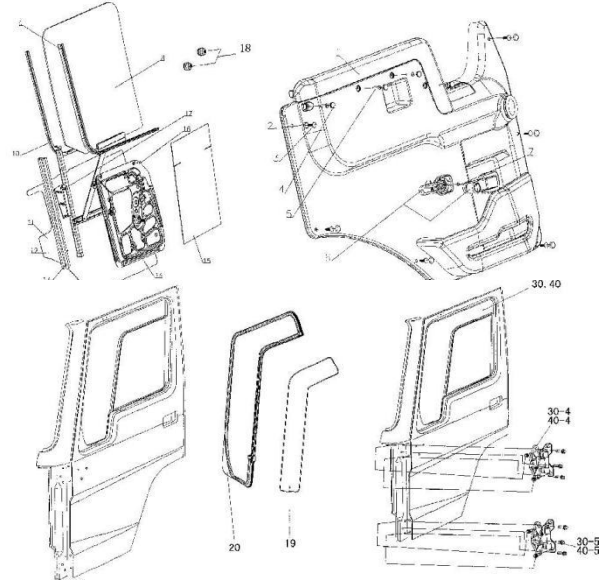

	CH part name	侧窗玻璃		CH part name	侧窗玻璃密封条
	EN part name	Side window glass		EN part name	Sealing frame for side window glass
	RU part name	стекло боковое окно		RU part name	стекло боковое окно печать
	Size:mm			Size:mm	
	Weight:kg	0.98		Weight:kg	0.15
	NO.	NO.56-4		NO.	NO.56-5
Remarks: HOWO For long,high-roof cab			Remarks: HOWO For long,high-roof cab		
KD1084			KD1085		
	Part No.	WG1642710005		Part No.	WG1642710006
	CH part name	T/后窗玻璃		CH part name	后窗玻璃密封条
	EN part name	Rear window glass		EN part name	Sealing frame for rear window glass
	RU part name	заднее стекло		RU part name	заднее стекло печать
	Size:mm			Size:mm	
	Weight:kg	2.98		Weight:kg	1.5
	NO.	NO.56-8		NO.	NO.56-9
Remarks: HOWO			Remarks: HOWO		

KD1086			KD1087		
	Part No.	WG1642330060		Part No.	WG1642330040
	CH part name	左车门玻璃总成		CH part name	门内护板总成-右门
	EN part name	Door glass left		EN part name	Internal lining for right door
	RU part name	стекло левой двери		RU part name	двери внутренняя охрана знака
	Size:mm	595*560*4.5		Size:mm	170*240*170
	Weight:kg	2.8		Weight:kg	1.56
	NO.	NO.57-8		NO.	NO.57-1a
Remarks: HOWO			Remarks: HOWO		
KD1088			KD1089		

Email: ventas@sdpartsdelivery.com

Email: ventas@sdpartsdelivery.com







Website: <http://www.sdpartsdelivery.com>

	Part No.	WG1642330061		Part No.	WG1642330011
	CH part name	右车门玻璃总成		CH part name	内密封条
	EN part name	Door glass right		EN part name	Inter sealing profile
	RU part name	двери, стекла, право		RU part name	внутреннее уплотнение печать
	Size:mm	595*560*4.5		Size:mm	
	Weight:kg	2.8		Weight:kg	0.43
	NO.	NO.57-8a		NO.	NO.57-9
Remarks: HOWO			Remarks: HOWO		
KD1090			DOOR, GLASS AND FITTINGS NO.57		
	Part No.	WG1642330020			
	CH part name	门内护板总成-左门			
	EN part name	Internal lining for left door			
	RU part name	двери внутренняя охрана знака			
	Size:mm	170*240*170			
	Weight:kg	1.56			
	NO.	NO.57-1			
Remarks: HOWO					
KD1091					
	Part No.	WG1642330001			
	CH part name	把手			
	EN part name	Grip			
	RU part name	ручка			
	Size:mm				
	Weight:kg	0.12			
	NO.	NO.57-6			
Remarks: HOWO					

Email: ventas@sdpartsdelivery.com

Email: ventas@sdpartsdelivery.com



Website: <http://www.sdpartsdelivery.com>



KD1092			KD1093		
	Part No.	WG1642330009		Part No.	WG1642330013
	CH part name	右玻璃滑槽		CH part name	外密封条
	EN part name	Glass guide left		EN part name	Outer sealing profile
	RU part name	руководство осталось стекла		RU part name	внешняя плотно печать
	Size:mm			Size:mm	
	Weight:kg	0.6		Weight:kg	0.52
	NO.	NO.57-12		NO.	NO.57-10
Remarks: HOWO			Remarks: HOWO		
KD1094			KD1095		
	Part No.	WG1642330010		Part No.	WG1642330015
	CH part name	右玻璃滑槽		CH part name	滑槽密封条
	EN part name	Glass guide right		EN part name	Sealing profile
	RU part name	стекло руководства право		RU part name	герметизация профиль
	Size:mm			Size:mm	
	Weight:kg	0.6		Weight:kg	0.2
	NO.	NO.57-12a		NO.	NO.57-13
Remarks: HOWO			Remarks: HOWO		
KD1096			KD1097		
	Part No.	WG1642330003		Part No.	WG1642330004
	CH part name	左玻璃升降器总成		CH part name	右玻璃升降器总成
	EN part name	Window lifter left		EN part name	Window lifter right
	RU part name	Стеклоподъемник левый в сборе		RU part name	Стеклоподъемник правый в сборе
	Size:mm	445*375*50		Size:mm	445*375*50
	Weight:kg	2.27		Weight:kg	2.27
	NO.	NO.57-14		NO.	NO.57-14a
Remarks: HOWO			Remarks: HOWO		



Email: ventas@sdpartsdelivery.com

Email: ventas@sdpartsdelivery.com

Website: <http://www.sdpartsdelivery.com>

KD1098				KD1099			
	Part No.	WG1642350003			Part No.	WG1642350004	
	CH part name	左角窗玻璃			CH part name	右角窗玻璃	
	EN part name	Ventilation glass left			EN part name	Ventilation glass right	
	RU part name	левый угол окна стекло			RU part name	в правом углу окна	
	Size:mm				Size:mm		
	Weight:kg	2.7			Weight:kg	2.7	
	NO.	NO.57-19			NO.	NO.57-19a	
Remarks: HOWO				Remarks: HOWO			





KD1100				KD1101			
	Part No.	WG1642350001			Part No.	WG1642350002	
	CH part name	左角窗玻璃密封条			CH part name	右角窗玻璃密封条	
	EN part name	Sealing profile left			EN part name	Sealing profile right	
	RU part name	стекло печать			RU part name	стекло печать	
	Size:mm				Size:mm		
	Weight:kg	0.2			Weight:kg	0.2	
	NO.	NO.57-20			NO.	NO.57-20	
Remarks: HOWO				Remarks: HOWO			


KD1102				KD1103			
	Part No.	AZ1642210009			Part No.	WG1642341001	
	CH part name	车门铰链总成			CH part name	门锁总成	
	EN part name	Door hinge			EN part name	Door lock assembly	
	RU part name	дверные петли			RU part name	замок в сборе	
	Size:mm				Size:mm	460*150*120	
	Weight:kg	0.75			Weight:kg	3.2	
	NO.	NO.57-30-4-40-4			NO.	NO.58	

Email: ventas@sdpartsdelivery.com

Email: ventas@sdpartsdelivery.com

Website: <http://www.sdpartsdelivery.com>

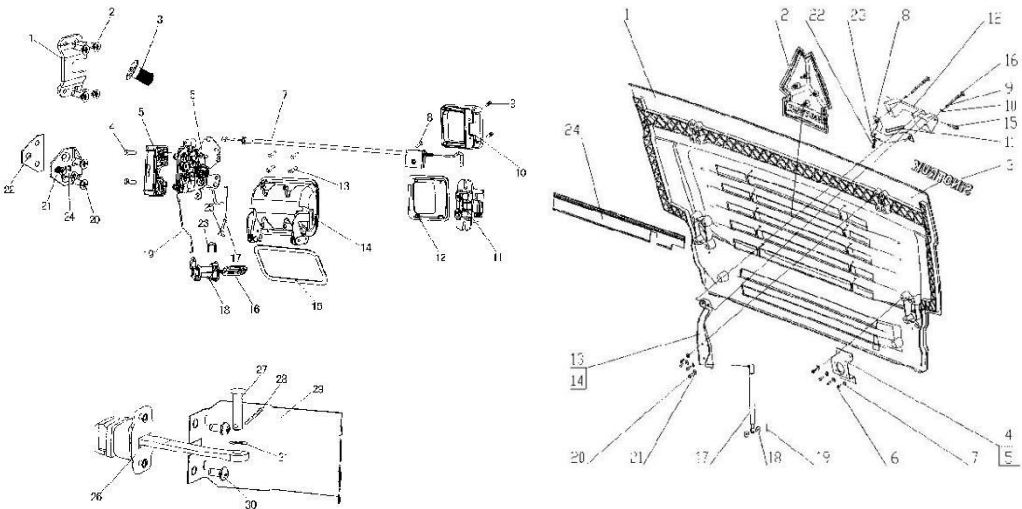







Remarks: HOWO			Remarks: HOWO		
KD1104			KD1105		
	Part No.	WG1642340012		Part No.	WG1642340013
	CH part name	左门锁挡块总成		CH part name	右门锁挡块总成
	EN part name	Latch left		EN part name	Latch right
	RU part name	защелка слева		RU part name	защелка право
	Size:mm			Size:mm	
	Weight:kg	0.2		Weight:kg	0.2
	NO.	NO.58-5		NO.	NO.58-5a
Remarks: HOWO			Remarks: HOWO		
KD1106			KD1107		
	Part No.	WG1642340014		Part No.	WG1642340015
	CH part name	左车门锁体总成		CH part name	右车门锁体总成
	EN part name	Lock left		EN part name	Lock right
	RU part name	Замок левой двери в сборе		RU part name	Замок правой двери в сборе
	Size:mm	420*140*65		Size:mm	420*140*65
	Weight:kg	0.28		Weight:kg	0.28
	NO.	NO.58-6		NO.	NO.58-6a
Remarks: HOWO			Remarks: HOWO		

DOOR LOCK/FRONT COVER		NO.58		KD1108		
					Part No.	WG1642340033
					CH part name	内开启手柄
					EN part name	Left door inner handle
					RU part name	Ручка внутренняя открытия двери левая
					Size:mm	115*80*57
					Weight:kg	0.09

Email: ventas@sdpartsdelivery.com

Email: ventas@sdpartsdelivery.com

Website: <http://www.sdpartsdelivery.com>



		<table border="1"> <tr> <td>NO.</td> <td>NO.58-10</td> </tr> <tr> <td colspan="2">Remarks: HOWO</td> </tr> <tr> <td>KD1109</td> <td></td> </tr> <tr> <td rowspan="7">  </td> <td>Part No.</td> <td>WG1642340031</td> </tr> <tr> <td>CH part name</td> <td>内开启手柄</td> </tr> <tr> <td>EN part name</td> <td>Right door inner handle</td> </tr> <tr> <td>RU part name</td> <td>Ручка внутренняя открытия двери правая</td> </tr> <tr> <td>Size:mm</td> <td>115*80*57</td> </tr> <tr> <td>Weight:kg</td> <td>0.09</td> </tr> <tr> <td>NO.</td> <td>NO.58-11</td> </tr> <tr> <td colspan="2">Remarks: HOWO</td> </tr> </table>		NO.	NO.58-10	Remarks: HOWO		KD1109			Part No.	WG1642340031	CH part name	内开启手柄	EN part name	Right door inner handle	RU part name	Ручка внутренняя открытия двери правая	Size:mm	115*80*57	Weight:kg	0.09	NO.	NO.58-11	Remarks: HOWO	
NO.	NO.58-10																									
Remarks: HOWO																										
KD1109																										
	Part No.	WG1642340031																								
	CH part name	内开启手柄																								
	EN part name	Right door inner handle																								
	RU part name	Ручка внутренняя открытия двери правая																								
	Size:mm	115*80*57																								
	Weight:kg	0.09																								
	NO.	NO.58-11																								
Remarks: HOWO																										
KD1110		KD1111																								
	Part No.	WG1642340001/1		Part No.	WG1642340001/2																					
	CH part name	车门外手柄总成		CH part name	车门外手柄总成																					
	EN part name	Left door outer handle		EN part name	Right door outer handle																					
	RU part name	Наружная ручка в сборе (левая)		RU part name	Наружная ручка в сборе (правая)																					
	Size:mm	157*104*50		Size:mm	157*104*50																					
	Weight:kg	0.27		Weight:kg	0.27																					
	NO.	NO.58-14		NO.	NO.58-14																					
Remarks: HOWO		Remarks: HOWO																								
KD1112		KD1113																								
	Part No.	WG1642340008		Part No.	WG1642340009																					
	CH part name	左车门锁芯总成		CH part name	右车门锁芯总成																					
	EN part name	Left door lock element assy.		EN part name	Right door lock element assy.																					
	RU part name	Личинка замка двери лев.		RU part name	Личинка замка двери пр.																					
	Size:mm	65*28*28		Size:mm	65*28*28																					
	Weight:kg	0.13		Weight:kg	0.13																					

Email: ventas@sdpartsdelivery.com



Email: ventas@sdpartsdelivery.com

Website: <http://www.sdpartsdelivery.com>



	NO.	NO.58-18		NO.	NO.58-18a
Remarks: HOWO			Remarks: HOWO		

KD1114			KD1115		
	Part No.	WG1642340026		Part No.	WG1642110013
	CH part name	限位拉带总成		CH part name	散热器面罩
	EN part name	Limit strap assembly		EN part name	Front cover
	RU part name	концевой лямки Ассамблеи		RU part name	Облицовка радиатора
	Size:mm			Size:mm	2010*930*100
	Weight:kg	0.65		Weight:kg	17.92
	NO.	NO.58-26		NO.	NO.58-1

Remarks: HOWO

KD1116			KD1117		
	Part No.	AZ1646950001		Part No.	AZ1646950002
	CH part name	重汽公司商标		CH part name	文字商标
	EN part name	Logo shield		EN part name	Shield 'sinotruk'
	RU part name	Эмблема "Синотрак"		RU part name	Текст товарного знака
	Size:mm	150*150*50		Size:mm	
	Weight:kg	0.15		Weight:kg	0.1
	NO.	NO.58-2		NO.	NO.58-3

Remarks: HOWO

KD1118			KD1119		
	Part No.	WG1642110027		Part No.	WG1642110028
	CH part name	右面罩锁		CH part name	左面罩锁
	EN part name	Right front cover lock		EN part name	Left front cover lock
	RU part name	Замок капота кабины правый		RU part name	Замок капота кабины левый
	Size:mm	140*110*90		Size:mm	140*110*90

Email: ventas@sdpartsdelivery.com

Email: ventas@sdpartsdelivery.com

Website: <http://www.sdpartsdelivery.com>





	Weight:kg	0.3		Weight:kg	0.3
	NO.	NO.58-4		NO.	NO.58-5
Remarks: HOWO			Remarks: HOWO		
KD1120			KD1121		
	Part No.	AZ1642110014		Part No.	WG1642110016
	CH part name	铰链座支架总成		CH part name	铰链座
	EN part name	Bracket		EN part name	Hinge seat
	RU part name	кронштейн		RU part name	Седло шарнира
	Size:mm	220*98		Size:mm	270*68*55
	Weight:kg	0.45		Weight:kg	0.25
	NO.	NO.58-8		NO.	NO.58-12
Remarks: HOWO			Remarks: HOWO		

KD1122			KD1123		
	Part No.	AZ1642110032		Part No.	AZ1642110033
	CH part name	左铰链焊接总成		CH part name	右铰链焊接总成
	EN part name	Left hinge		EN part name	Right hinge
	RU part name	Шарнир левый в сборе		RU part name	Шарнир правый в сборе
	Size:mm	280*80*45		Size:mm	280*80*45
	Weight:kg	0.48		Weight:kg	0.48
	NO.	NO.58-13		NO.	NO.58-14
Remarks: HOWO			Remarks: HOWO		
KD1124			KD1125		
	Part No.	WG1642110024		Part No.	AZ1642110017
	CH part name	气弹簧		CH part name	铰链销
	EN part name	Spring support		EN part name	Hinge pin
	RU part name	Пружинно-распорный болт		RU part name	петель

Email: ventas@sdpartsdelivery.com

Email: ventas@sdpartsdelivery.com

Website: <http://www.sdpartsdelivery.com>

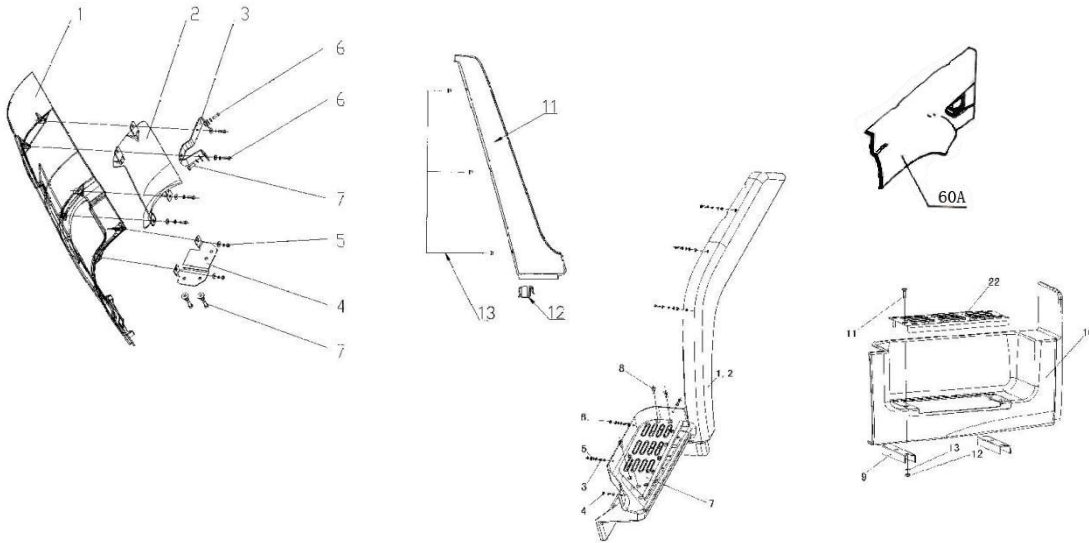
	Size:mm	780*20		Size:mm	
	Weight:kg	0.39		Weight:kg	0.11
	NO.	NO.58-17		NO.	NO.58-15
Remarks: HOWO			Remarks: HOWO		
KD1126			KD1127		
	Part No.	WG1642110001		Part No.	WG1642110002
	CH part name	右导风罩外板总成		CH part name	左导风罩外板总成
	EN part name	Outer side cover right		EN part name	Outer side cover left
	RU part name	Обтекатель кабины правый		RU part name	Обтекатель кабины левый
	Size:mm	860*500*200		Size:mm	860*500*200
	Weight:kg	2.7		Weight:kg	2.7
	NO.	NO.59-1		NO.	NO.59-1a
Remarks: HOWO			Remarks: HOWO		
KD1128			KD1129		
	Part No.	WG1642110003		Part No.	WG1642110004
	CH part name	右导风罩内板		CH part name	左导风罩内板
	EN part name	Inter plate right		EN part name	Inter plate left
	RU part name	обтекатель правый внутренней панели		RU part name	обтекатель левый внутренней панели
	Size:mm	400*100*50		Size:mm	400*100*50
	Weight:kg	1.7		Weight:kg	1.7
	NO.	NO.59-2		NO.	NO.59-2a
Remarks: HOWO			Remarks: HOWO		

SIDE COVER, A'POLE GARNISH/ MUDGUARD	NO.59	KD1130		
			Part No.	WG1642110006
			CH part name	上连接板总成
			EN part name	Bracket

Email: ventas@sdpartsdelivery.com

Email: ventas@sdpartsdelivery.com

Website: <http://www.sdpartsdelivery.com>



RU part name	кронштейн
Size:mm	
Weight:kg	0.21
NO.	NO.59-3

Remarks: HOWO AZ1642110006

KD1131



Part No.	WG1642110007
CH part name	右下连接板
EN part name	Bracket right
RU part name	брекет - право
Size:mm	
Weight:kg	0.15
NO.	NO.59-4

Remarks: HOWO AZ1642110007

KD1132



Part No.	WG1642110019
CH part name	左 A 立柱装饰板
EN part name	'A'pole garnish left
RU part name	Обтекатель стойки кабины наруж.левый
Size:mm	1020*260*65
Weight:kg	0.45
NO.	NO.59-10

Remarks: HOWO

KD1133



Part No.	WG1642110008
CH part name	左下连接板
EN part name	Bracket left
RU part name	и оставил
Size:mm	
Weight:kg	0.15
NO.	NO.59-4a

Remarks: HOWO AZ1642110008

KD1134

Part No.	WG1642110020
CH part name	右 A 立柱装饰板



KD1135

Part No.	WG1641230020
CH part name	左翼子板

Email: ventas@sdpartsdelivery.com

Email: ventas@sdpartsdelivery.com

Website: <http://www.sdpartsdelivery.com>

	EN part name	'A'pole garnish right		EN part name	07 Model front left wheel fender
	RU part name	Обтекатель стойки кабины наруж.правый		RU part name	Крыло короткое на кабину без спальника левое
	Size:mm	1020*260*65		Size:mm	1750*850*350
	Weight:kg	0.45		Weight:kg	2.4
	NO.	NO.59-10a		NO.	NO.59-1
Remarks: HOWO			Remarks: HOWO 07 款 不带卧铺		

KD1136			KD1137		
	Part No.	WG1642230012		Part No.	WG1641230021
	CH part name	左前翼子板		CH part name	右前翼子板
	EN part name	07 Model front left wheel fender		EN part name	07 Model front right wheel fender
	RU part name	Крыло кабины со спальником левое		RU part name	Крыло короткое на кабину без спальника правое
	Size:mm	1950*850*350		Size:mm	1750*850*350
	Weight:kg	2.8		Weight:kg	2.4
	NO.	NO.59-1		NO.	NO.59-2

Remarks: HOWO 07 款 带卧铺 Remarks: HOWO 07 款 不带卧铺

KD1138			KD1139		
	Part No.	WG1642230013		Part No.	WG1642230105
	CH part name	右前翼子板		CH part name	左前翼子板前段
	EN part name	07 Model front right wheel fender		EN part name	08 Model front left wheel fender front part
	RU part name	Крыло кабины со спальником правое		RU part name	Передняя часть переднего крыла лев
	Size:mm	1950*850*350		Size:mm	1100*850*350
	Weight:kg	2.8		Weight:kg	2.2
	NO.	NO.59-2		NO.	NO.59-1







Remarks: HOWO 07 款 带卧铺 Remarks: HOWO 08 款

KD1140			KD1141		
	Part No.	WG1642230107		Part No.	WG1642230106
	CH part name	左前翼子板后段(长)		CH part name	右前翼子板前段

Email: ventas@sdpartsdelivery.com

Email: ventas@sdpartsdelivery.com







Website: <http://www.sdpartsdelivery.com>

	EN part name 08 Model front left wheel fender rear part RU part name Задняя часть переднего крыла лев(длинная) Size:mm 815*215*50 Weight:kg 0.92 NO. NO.59-60A			EN part name 08 Model front right wheel fender front part RU part name Передняя часть переднего крыла прав Size:mm 1100*850*350 Weight:kg 2.2 NO. NO.59-2	
Remarks: HOWO 08 款			Remarks: HOWO 08 款		
KD1142			KD1143		
	Part No. WG1642230108 CH part name 右前翼子板后段(长) EN part name 08 Model front right wheel fender rear part RU part name Задняя часть переднего крыла прав(длинная) Size:mm 815*215*50 Weight:kg 0.92 NO. NO.59-60A			Part No. WG1641230051 CH part name 左前翼子板后段(短) EN part name 08 Model front left wheel fender rear part RU part name Задняя часть переднего крыла лев(короткая) Size:mm 815*215*50 Weight:kg 0.85 NO. NO.59-60A	
Remarks: HOWO 08 款			Remarks: HOWO 08 款		
KD1144			KD1145		
	Part No. WG1642230018 CH part name 07 左上防滑板 EN part name 07 Left up step RU part name Подножка верхняя левая Size:mm 400*190*25 Weight:kg 0.9 NO. NO.59-7			Part No. WG1641230052 CH part name 右前翼子板后段(短) EN part name 08 Model front right wheel fender rear part RU part name Задняя часть переднего крыла прав(короткая) Size:mm 815*215*50 Weight:kg 0.85 NO. NO.59-60A	
Remarks: HOWO 07 款			Remarks: HOWO 08 款		
KD1146			KD1147		
	Part No. WG1642230019 CH part name 07 右上防滑板			Part No. WG1642240032 CH part name 左下防滑板	

Email: ventas@sdpartsdelivery.com

Email: ventas@sdpartsdelivery.com

Website: <http://www.sdpartsdelivery.com>

	<table border="1"> <tr><td>EN part name</td><td>07 Right up step</td></tr> <tr><td>RU part name</td><td>Подножка верхняя правая</td></tr> <tr><td>Size:mm</td><td>400*190*25</td></tr> <tr><td>Weight:kg</td><td>0.9</td></tr> <tr><td>NO.</td><td>NO.59-7a</td></tr> </table>	EN part name	07 Right up step	RU part name	Подножка верхняя правая	Size:mm	400*190*25	Weight:kg	0.9	NO.	NO.59-7a			<table border="1"> <tr><td>EN part name</td><td>Left down step</td></tr> <tr><td>RU part name</td><td>Подножка нижняя левая</td></tr> <tr><td>Size:mm</td><td>340*190*25</td></tr> <tr><td>Weight:kg</td><td>0.9</td></tr> <tr><td>NO.</td><td>NO.59-7</td></tr> </table>	EN part name	Left down step	RU part name	Подножка нижняя левая	Size:mm	340*190*25	Weight:kg	0.9	NO.	NO.59-7									
EN part name	07 Right up step																																
RU part name	Подножка верхняя правая																																
Size:mm	400*190*25																																
Weight:kg	0.9																																
NO.	NO.59-7a																																
EN part name	Left down step																																
RU part name	Подножка нижняя левая																																
Size:mm	340*190*25																																
Weight:kg	0.9																																
NO.	NO.59-7																																
Remarks: HOWO 07 款		Remarks: HOWO 07 款																															
KD1148			KD1149																														
	<table border="1"> <tr><td>Part No.</td><td>WG1642240113</td></tr> <tr><td>CH part name</td><td>左下防滑板</td></tr> <tr><td>EN part name</td><td>08 Left down step</td></tr> <tr><td>RU part name</td><td>Подножка нижняя левая</td></tr> <tr><td>Size:mm</td><td>340*190*25</td></tr> <tr><td>Weight:kg</td><td>0.9</td></tr> <tr><td>NO.</td><td>NO.59-7</td></tr> </table>	Part No.	WG1642240113	CH part name	左下防滑板	EN part name	08 Left down step	RU part name	Подножка нижняя левая	Size:mm	340*190*25	Weight:kg	0.9	NO.	NO.59-7			<table border="1"> <tr><td>Part No.</td><td>WG1642240033</td></tr> <tr><td>CH part name</td><td>右下防滑板</td></tr> <tr><td>EN part name</td><td>Right down step</td></tr> <tr><td>RU part name</td><td>Подножка нижняя правая</td></tr> <tr><td>Size:mm</td><td>340*190*25</td></tr> <tr><td>Weight:kg</td><td>0.9</td></tr> <tr><td>NO.</td><td>NO.59-7a</td></tr> </table>	Part No.	WG1642240033	CH part name	右下防滑板	EN part name	Right down step	RU part name	Подножка нижняя правая	Size:mm	340*190*25	Weight:kg	0.9	NO.	NO.59-7a	
Part No.	WG1642240113																																
CH part name	左下防滑板																																
EN part name	08 Left down step																																
RU part name	Подножка нижняя левая																																
Size:mm	340*190*25																																
Weight:kg	0.9																																
NO.	NO.59-7																																
Part No.	WG1642240033																																
CH part name	右下防滑板																																
EN part name	Right down step																																
RU part name	Подножка нижняя правая																																
Size:mm	340*190*25																																
Weight:kg	0.9																																
NO.	NO.59-7a																																
Remarks: HOWO 08 款		Remarks: HOWO 07 款																															
KD1150			KD1151																														
	<table border="1"> <tr><td>Part No.</td><td>WG1642240114</td></tr> <tr><td>CH part name</td><td>右下防滑板</td></tr> <tr><td>EN part name</td><td>08 Right down step</td></tr> <tr><td>RU part name</td><td>Подножка нижняя левая</td></tr> <tr><td>Size:mm</td><td>340*190*25</td></tr> <tr><td>Weight:kg</td><td>0.9</td></tr> <tr><td>NO.</td><td>NO.59-7a</td></tr> </table>	Part No.	WG1642240114	CH part name	右下防滑板	EN part name	08 Right down step	RU part name	Подножка нижняя левая	Size:mm	340*190*25	Weight:kg	0.9	NO.	NO.59-7a			<table border="1"> <tr><td>Part No.</td><td>WG1642230109</td></tr> <tr><td>CH part name</td><td>左上防滑板</td></tr> <tr><td>EN part name</td><td>08 Left up step</td></tr> <tr><td>RU part name</td><td>Подножка верхняя левая</td></tr> <tr><td>Size:mm</td><td>400*190*25</td></tr> <tr><td>Weight:kg</td><td>0.9</td></tr> <tr><td>NO.</td><td>NO.59-7</td></tr> </table>	Part No.	WG1642230109	CH part name	左上防滑板	EN part name	08 Left up step	RU part name	Подножка верхняя левая	Size:mm	400*190*25	Weight:kg	0.9	NO.	NO.59-7	
Part No.	WG1642240114																																
CH part name	右下防滑板																																
EN part name	08 Right down step																																
RU part name	Подножка нижняя левая																																
Size:mm	340*190*25																																
Weight:kg	0.9																																
NO.	NO.59-7a																																
Part No.	WG1642230109																																
CH part name	左上防滑板																																
EN part name	08 Left up step																																
RU part name	Подножка верхняя левая																																
Size:mm	400*190*25																																
Weight:kg	0.9																																
NO.	NO.59-7																																
Remarks: HOWO 08 款		Remarks: HOWO 08 款																															
KD1152			KD1153																														
	<table border="1"> <tr><td>Part No.</td><td>AZ9725930049</td></tr> <tr><td>CH part name</td><td>踏板支架</td></tr> </table>	Part No.	AZ9725930049	CH part name	踏板支架			<table border="1"> <tr><td>Part No.</td><td>WG1642230110</td></tr> <tr><td>CH part name</td><td>右上防滑板</td></tr> </table>	Part No.	WG1642230110	CH part name	右上防滑板																					
Part No.	AZ9725930049																																
CH part name	踏板支架																																
Part No.	WG1642230110																																
CH part name	右上防滑板																																

Email: ventas@sdpartsdelivery.com

Email: ventas@sdpartsdelivery.com



Website: <http://www.sdpartsdelivery.com>



	EN part name	Bracket for step bow		EN part name	08 Right up step
	RU part name	кронштейн акселератора		RU part name	Подножка верхняя правая
	Size:mm			Size:mm	400*190*25
	Weight:kg	2.5		Weight:kg	0.9
	NO.	NO.59-9		NO.	NO.59-7a
Remarks: HOWO 高位保险杠 High bumper			Remarks: HOWO 08 款		
KD1154			KD1155		
	Part No.	WG1641240011		Part No.	WG1641240012
	CH part name	高位右脚踏板		CH part name	高位左脚踏板
	EN part name	07 Model right upper step (tipper)		EN part name	07 Model left upper step (tipper)
	RU part name	Подножка правая (самосвал)		RU part name	Подножка левая (самосвал)
	Size:mm	600*195*280		Size:mm	600*195*280
	Weight:kg	2.3		Weight:kg	2.3
	NO.	NO.59-10		NO.	NO.59-10a
Remarks: HOWO 07 款自卸车			Remarks: HOWO 07 款自卸车		
KD1156			KD1157		
	Part No.	WG1642240031		Part No.	WG1642240030
	CH part name	低位右脚踏板		CH part name	低位左脚踏板
	EN part name	07 Model right lower step (tractor)		EN part name	07 Model left lower step (tractor)
	RU part name	Подножка правая (тягач)		RU part name	Подножка левая (тягач)
	Size:mm	600*195*380		Size:mm	600*195*380
	Weight:kg	2.66		Weight:kg	2.66
	NO.	NO.59-10		NO.	NO.59-10a
Remarks: HOWO 07 款牵引车			Remarks: HOWO 07 款牵引车		
KD1158			KD1159		
	Part No.	WG1641240114		Part No.	WG1641240113
	CH part name	高位右脚踏板		CH part name	高位左脚踏板

Email: ventas@sdpartsdelivery.com

Email: ventas@sdpartsdelivery.com

Website: <http://www.sdpartsdelivery.com>

	EN part name	08 Model right upper step (tipper)		EN part name	08 Model left upper step (tipper)
	RU part name	Подножка правая (самосвал)		RU part name	Подножка левая (самосвал)
	Size:mm	620*195*150		Size:mm	620*195*150
	Weight:kg	1.8		Weight:kg	1.8
	NO.	NO.59-10		NO.	NO.59-10a
Remarks: HOWO 08 款自卸车			Remarks: HOWO 08 款自卸车		

KD1160			KD1161		
	Part No.	WG1642240112		Part No.	WG1642240111
	CH part name	右脚踏板		CH part name	左脚踏板
	EN part name	08 Model right lower step (tractor)		EN part name	08 Model left lower step (tractor)
	RU part name	Подножка правая (тягач)		RU part name	Подножка левая (тягач)
	Size:mm	620*195*180		Size:mm	620*195*180
	Weight:kg	1.8		Weight:kg	1.8
	NO.	NO.59-10		NO.	NO.59-10a
Remarks: HOWO 08 款牵引车			Remarks: HOWO 08 款牵引车		




KD1162			KD1163		
	Part No.	WG1642230004		Part No.	WG1642230003
	CH part name	右前轮后翼子板		CH part name	左前轮后翼子板
	EN part name	07 Model rear right wheel fender		EN part name	07 Model rear left wheel fender
	RU part name	Брызговик защита передний правый		RU part name	Брызговик защита передний левый
	Size:mm	1000*530*330		Size:mm	1000*530*330
	Weight:kg	3.1		Weight:kg	3.1
	NO.	NO.60-15		NO.	NO.60-14
Remarks: HOWO 07 款			Remarks: HOWO 07 款		


KD1164			KD1165		
	Part No.	WG1642230104		Part No.	WG1642230103
	CH part name	右前轮后翼子板		CH part name	左前轮后翼子板

Email: ventas@sdpartsdelivery.com

Email: ventas@sdpartsdelivery.com

Website: <http://www.sdpartsdelivery.com>


	EN part name	08 Model rear right wheel fender		EN part name	08 Model rear left wheel fender
	RU part name	Брызговик защита передний правый		RU part name	Брызговик защита передний левый
	Size:mm	1000*530*180		Size:mm	1000*530*180
	Weight:kg	3.1		Weight:kg	3.1
	NO.	NO.60-15		NO.	NO.60-14
Remarks: HOWO 08 款			Remarks: HOWO 08 款		
KD1166			KD1167		
	Part No.	WG1642230005		Part No.	WG9719930313
	CH part name	翼子板加强板		CH part name	右后翼子板支架
	EN part name	Aux.plate for wheel fender		EN part name	Bracket for left rear mudguard
	RU part name	крыло укрепить Совет		RU part name	кронштейн левый задний брызговик
	Size:mm			Size:mm	
	Weight:kg	1.05		Weight:kg	5.5
	NO.	NO.60-15a		NO.	NO.60-24
Remarks: HOWO			Remarks: HOWO 6*4		

KD1168			MUDGUARD / BUMPER NO.60		
	Part No.	WG9719930315			
	CH part name	左后翼子板支架			
	EN part name	Bracket for left rear mudguard			
	RU part name	кронштейн левый задний брызговик			
	Size:mm				
	Weight:kg	5.5			
	NO.	NO.60-23			
Remarks: HOWO 6*4					
KD1169					
	Part No.	WG9731930010			

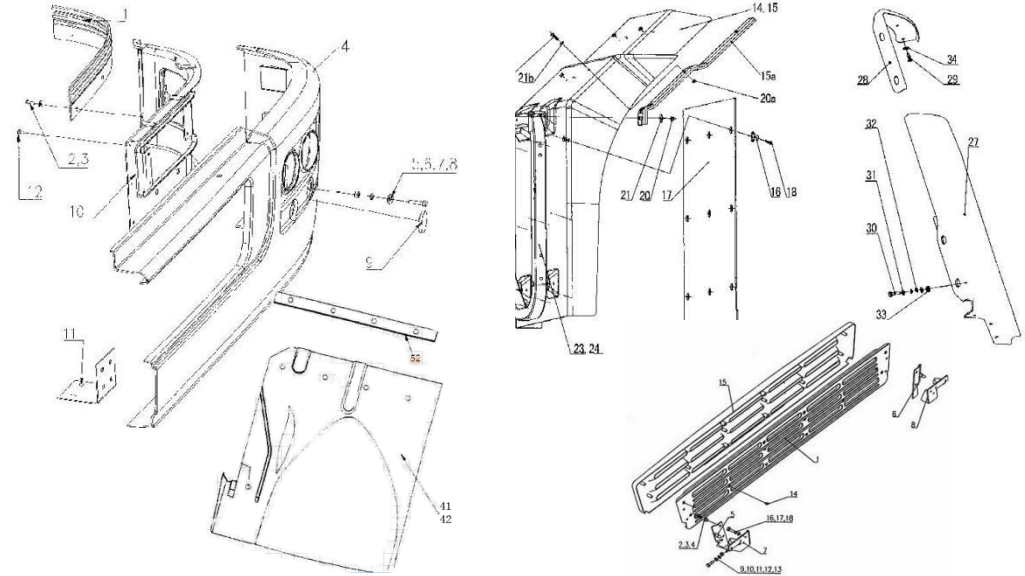
Email: ventas@sdpartsdelivery.com

Email: ventas@sdpartsdelivery.com


Website: <http://www.sdpartsdelivery.com>

	CH part name	左后翼子板支架
	EN part name	Bracket for left rear mudguard
	RU part name	кронштейн левый задний брызговик
	Size:mm	
	Weight:kg	7.5
	NO.	NO.60-23

Remarks: HOWO 8*4




KD1170		
--------	--	--

	Part No.	WG9731930015
	CH part name	右后翼子板支架
	EN part name	Bracket for right rear mudguard
	RU part name	правый кронштейн заднего крыла
	Size:mm	
	Weight:kg	7.5
	NO.	NO.60-24


Remarks: HOWO 8*4

KD1171		
--------	--	--


	Part No.	WG1641230028
	CH part name	后挡板总成
	EN part name	Rear cover
	RU part name	После перегородку Ассамблеи
	Size:mm	
	Weight:kg	0.25
	NO.	NO.60-27

Remarks: HOWO

KD1172		
--------	--	--

	Part No.	WG1641230025
	CH part name	左前挡泥板
	EN part name	Left mudguard
	RU part name	левое переднее крыло

KD1173		
--------	--	--

	Part No.	WG1641230026
	CH part name	右前挡泥板
	EN part name	Right mudguard
	RU part name	правое переднее крыло

Email: ventas@sdpartsdelivery.com



Email: ventas@sdpartsdelivery.com

Website: <http://www.sdpartsdelivery.com>

	Size:mm			Size:mm	
	Weight:kg	0.5		Weight:kg	0.5
	NO.	NO.60-41		NO.	NO.60-42
Remarks: HOWO			Remarks: HOWO		

KD1174			KD1175		
	Part No.	AZ1642240050		Part No.	AZ1642240051
	CH part name	保险杠左装饰板		CH part name	保险杠右装饰板
	EN part name	Garnish plate left		EN part name	Garnish plate right
	RU part name	декоративные тарелки		RU part name	декоративные тарелки
	Size:mm			Size:mm	
	Weight:kg	0.21		Weight:kg	0.21
	NO.	NO.60-1		NO.	NO.60-1a





Remarks: HOWO 6*4 8*4 Remarks: HOWO 6*4 8*4

KD1176			KD1177		
	Part No.	WG1641240001		Part No.	WG1642240002
	CH part name	高位保险杠		CH part name	低位保险杠
	EN part name	07 Model upper bumper (Tipper)		EN part name	07 Model lower bumper (Tipper)
	RU part name	Бампер (самосвал)		RU part name	Бампер (самосвал)
	Size:mm	2470*290*280		Size:mm	2470*550*220
	Weight:kg	16		Weight:kg	15

Email: ventas@sdpartsdelivery.com

Email: ventas@sdpartsdelivery.com

Website: <http://www.sdpartsdelivery.com>

	NO.	NO.60-4		NO.	NO.60-4
Remarks: HOWO 07款 自卸车 AZ1641240001			Remarks: HOWO 07款 牵引车		
KD1178			KD1179		
	Part No.	WG1642240101		Part No.	WG1642240041
	CH part name	低位保险杠		CH part name	右支架组件
	EN part name	08 Model lower bumper		EN part name	Bracket right
	RU part name	Бампер		RU part name	правый кронштейн в сборе
	Size:mm	2470*550*220		Size:mm	
	Weight:kg	17		Weight:kg	8.5
	NO.	NO.60-4		NO.	NO.60-10
Remarks: HOWO 08款			Remarks: HOWO		
KD1180			KD1181		
	Part No.	WG1642240040		Part No.	AZ1642240006
	CH part name	左支架组件		CH part name	右连接板总成
	EN part name	Bracket left		EN part name	Connecting plate right
	RU part name	левый кронштейн в сборе		RU part name	
	Size:mm			Size:mm	
	Weight:kg	8.5		Weight:kg	0.25
	NO.	NO.60-10		NO.	NO.60-6
Remarks: HOWO			Remarks: HOWO		

Email: ventas@sdpartsdelivery.com

Email: ventas@sdpartsdelivery.com



Website: <http://www.sdpartsdelivery.com>

KD1182				KD1183			
	Part No.	AZ1642240011			Part No.	AZ1642240005	
	CH part name	格栅骨架总成			CH part name	左连接板总成	
	EN part name	Grille assembly			EN part name	Connecting plate left	
	RU part name	Каркас решетки в сборе			RU part name		
	Size:mm	1550*250*35			Size:mm		
	Weight:kg	1.5			Weight:kg	0.25	
	NO.	NO.60-1			NO.	NO.60-5	
Remarks: HOWO AZ1642240012				Remarks: HOWO			
KD1184				KD1185			
	Part No.	AZ1642240019			Part No.	AZ1642240020	
	CH part name	左限位支架总成			CH part name	右限位支架总成	
	EN part name	Bracket left			EN part name	Bracket right	
	RU part name	кронштейн левый предел			RU part name	кронштейн правый предел	
	Size:mm				Size:mm		
	Weight:kg	0.35			Weight:kg	0.35	
	NO.	NO.60-7			NO.	NO.60-8	
Remarks: HOWO				Remarks: HOWO			
KD1186				KD1187			
	Part No.	WG1642240080			Part No.	WG1642240018	
	CH part name	销轴			CH part name	格栅	
	EN part name	Bolt			EN part name	Grille	
	RU part name	штифт оси			RU part name	сетка	
	Size:mm				Size:mm	1550*250*35	
	Weight:kg	0.15			Weight:kg	0.11	
	NO.	NO.60-9			NO.	NO.60-15	

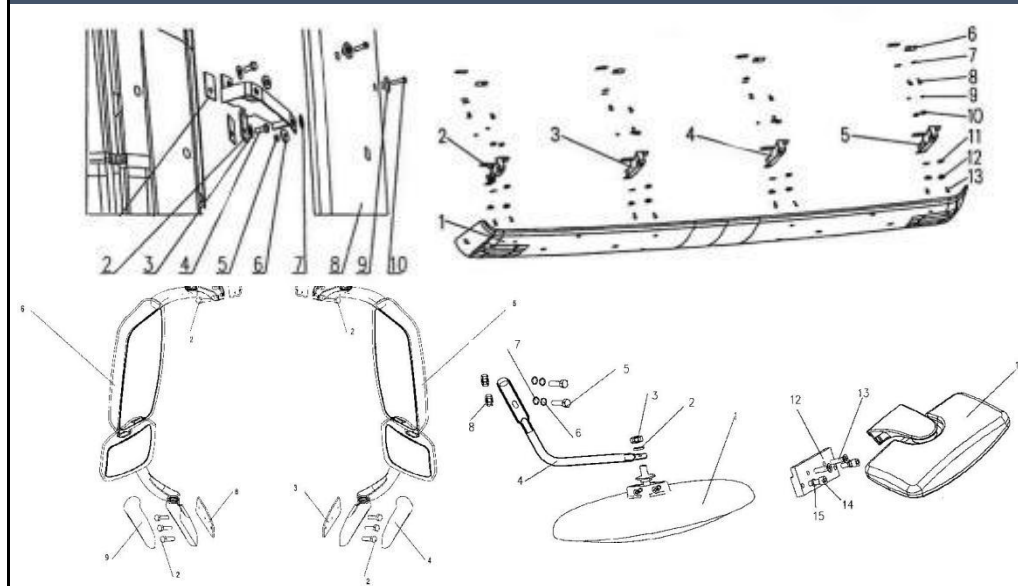
Email: ventas@sdpartsdelivery.com


Email: ventas@sdpartsdelivery.com

Website: <http://www.sdpartsdelivery.com>

Remarks: HOWO			Remarks: HOWO		
KD1188			KD1189		
	Part No.	WG1642770003		Part No.	WG1642770001
	CH part name	车外右后视镜		CH part name	车外左后视镜
	EN part name	Right rear view mirror		EN part name	Left rear view mirror
	RU part name	Зеркало заднего вида правое		RU part name	Зеркало заднего вида левое
	Size:mm	980*180*200		Size:mm	980*180*200
	Weight:kg	4.9		Weight:kg	4.9
	NO.	NO.61-6		NO.	NO.61-5
Remarks: HOWO			Remarks: HOWO		

SUN VISOR/DOWN VIEW MIRROR,SIDE MIRROR REAR VIEW MIRROR **NO.61**









KD1190		
	Part No.	WG1646770001
	CH part name	左后视镜 (右置)
	EN part name	Left rear view mirror
	RU part name	Зеркало заднего вида левое
	Size:mm	980*180*200
	Weight:kg	4.9
	NO.	NO.61-5
Remarks: HOWO Right car		
KD1191		
	Part No.	WG1646770002
	CH part name	右后视镜 (右置)
	EN part name	Right rear view mirror
	RU part name	Зеркало заднего вида правое
	Size:mm	980*180*200
	Weight:kg	4.9
	NO.	NO.61-6

Email: ventas@sdpartsdelivery.com

Email: ventas@sdpartsdelivery.com

Website: <http://www.sdpartsdelivery.com>

			Remarks: HOWO Right car		
KD1192			KD1193		
	Part No.	WG1642770003-1		Part No.	WG1642770003-2
	CH part name	橡胶块		CH part name	橡胶块
	EN part name	Rubber block		EN part name	Rubber block
	RU part name	резиновый блок		RU part name	резиновый блок
	Size:mm			Size:mm	
	Weight:kg	0.2		Weight:kg	0.2
	NO.	NO.61-7		NO.	NO.61-8
Remarks: HOWO			Remarks: HOWO		
KD1194			KD1195		
	Part No.	WG1600770007		Part No.	WG1642770004
	CH part name	路面镜总成		CH part name	下视镜
	EN part name	Side mirror		EN part name	Down view mirror
	RU part name	Зеркало бордюрное		RU part name	Зеркало нижнего вида
	Size:mm	320*250*80		Size:mm	230*230*50
	Weight:kg	0.8		Weight:kg	0.4
	Price:usd	NO.61-11		Price:usd	NO.61-1
Remarks: HOWO			Remarks: HOWO		

KD1196			KD1197		
	Part No.	AZ1642770054		Part No.	AZ1646771000
	CH part name	下视镜支架		CH part name	下视镜支架 (右置高顶)
	EN part name	Bracket		EN part name	Bracket
	RU part name	кронштейн под зеркало		RU part name	кронштейн под зеркало
	Size:mm			Size:mm	
	Weight:kg	0.2		Weight:kg	0.13

Email: ventas@sdpartsdelivery.com

Email: ventas@sdpartsdelivery.com

Website: <http://www.sdpartsdelivery.com>

	NO.	NO.61-4		NO.	NO.61-4
Remarks: HOWO For standard,long cab			Remarks: HOWO For high-roof and drive right		
KD1198			KD1199		
	Part No.	WG1642870231		Part No.	AZ1644771000
	CH part name	标准驾驶室遮阳罩		CH part name	下视镜支架 (高顶)
	EN part name	Sun visor		EN part name	Bracket
	RU part name	Козырек солнцезащитный стандартной кабины		RU part name	кронштейн под зеркало
	Size:mm	2250*320*120		Size:mm	
	Weight:kg	4.18		Weight:kg	0.21
	NO.	NO.62-1		NNO.	NO.61-4
Remarks: HOWO 短、中长驾驶室			Remarks: HOWO For high-roof cab		
KD1200			KD1201		
	Part No.	WG1644870002		Part No.	WG1642870232
	CH part name	高顶驾驶室遮阳罩		CH part name	右外支架
	EN part name	Sun visor		EN part name	Side bracket right
	RU part name	Козырек солнцезащитный кабины высокой крышки		RU part name	правый кронштейн
	Size:mm	2250*240*220		Size:mm	
	Weight:kg	4		Weight:kg	0.15
	NO.	NO.61-1		NO.	NO.61-2
Remarks: HOWO 牵引车			Remarks: HOWO		
KD1202			KD1203		
	Part No.	AZ1644870003		Part No.	WG1642870233
	CH part name	支架		CH part name	左外支架
	EN part name	Bracket		EN part name	Side bracket right
	RU part name	кронштейн		RU part name	левый внешней поддержки
	Size:mm			Size:mm	

Email: ventas@sdpartsdelivery.com

Email: ventas@sdpartsdelivery.com

Website: <http://www.sdpartsdelivery.com>

	Weight:kg	0.2		Weight:kg	0.15
	NO.	NO.61-2-5		NO.	NO.61-5
Remarks: HOWO			Remarks: HOWO		

KD1204			KD1205		
	Part No.	WG1642870234		Part No.	WG1642870235
	CH part name	右中支架		CH part name	左中支架
	EN part name	Middle bracket right		EN part name	Middle bracket left
	RU part name	в правой скобки		RU part name	кронштейн левый в
	Size:mm			Size:mm	
	Weight:kg	0.15		Weight:kg	0.15
	NO.	NO.61-3		NO.	NO.61-4



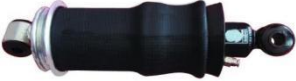

Remarks: HOWO			Remarks: HOWO		
---------------	--	--	---------------	--	--

KD1206			KD1207		
	Part No.	AZ1642430030		Part No.	AZ1642430125
	CH part name	空气弹簧上支架总成		CH part name	螺旋弹簧上支座总成
	EN part name	Above base for air spring		EN part name	Above base for screwy spring
	RU part name	верхний кронштейн в сборе		RU part name	верхний кронштейн в сборе
	Size:mm			Size:mm	
	Weight:kg	1.05		Weight:kg	0.55
	NO.	NO.62-1		NO.	NO.62-1

Email: ventas@sdpartsdelivery.com

Email: ventas@sdpartsdelivery.com

Website: <http://www.sdpartsdelivery.com>

Remarks: HOWO			Remarks: HOWO		
KD1208			KD1209		
	Part No.	WG1642430033		Part No.	AZ1642430116
	CH part name	导向锥块		CH part name	垫片
	EN part name	Guide		EN part name	Washer
	RU part name	блок ориентации конус		RU part name	шайба
	Size:mm			Size:mm	
	Weight:kg	0.53		Weight:kg	0.12
	NO.	NO.62-6		NO.	NO.62-6
Remarks: HOWO			Remarks: HOWO		
KD1210			KD1211		
	Part No.	AZ1642430085		Part No.	WG1642430118
	CH part name	空气弹簧总成		CH part name	螺旋弹簧总成
	EN part name	Air spring		EN part name	Screwy spring
	RU part name	в воздухе весна		RU part name	спиральная пружина
	Size:mm			Size:mm	
	Weight:kg	2.62		Weight:kg	0.35
	NO.	NO.62-7		NO.	NO.62-7
Remarks: HOWO Air suspension of cab			Remarks: HOWO Screwy spring suspension of cab		

FRONT SUSPENSION OF DRIVER

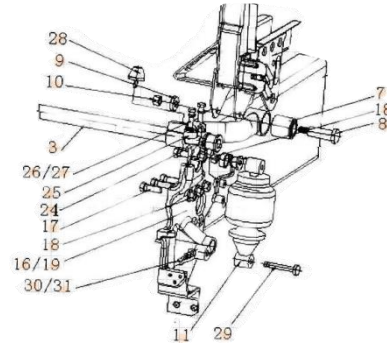
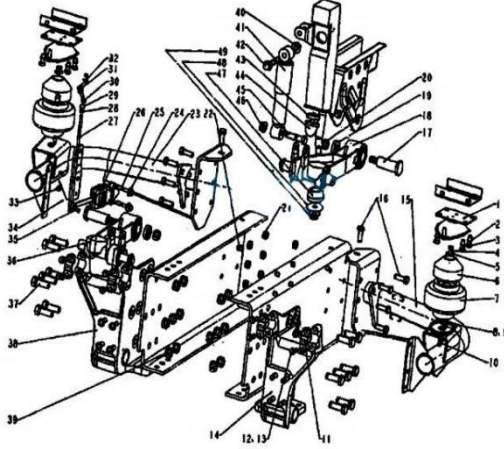
NO.62


KD1212

Email: ventas@sdpartsdelivery.com

Email: ventas@sdpartsdelivery.com


Website: <http://www.sdpartsdelivery.com>



	Part No.	WG1642430117
	CH part name	螺旋弹簧总成
	EN part name	Screwy spring
	RU part name	спиральная пружина
	Size:mm	
	Weight:kg	0.35
	NO.	NO.62-7


Remarks: HOWO Screwy spring suspension of Long cab and high-roof cab

KD1213		
--------	--	--

	Part No.	WG1642430385
	CH part name	前悬减振器总成
	EN part name	Shocker absorber
	RU part name	Амортизатор кабины (передний)
	Size:mm	350*80*80
	Weight:kg	3.15
	NO.	NO.62-7


Remarks: HOWO

KD1214		
--------	--	--

	Part No.	WG1642430285
	CH part name	前悬减振器总成
	EN part name	Shocker absorber
	RU part name	Амортизатор кабины (передний)
	Size:mm	350*80*80
	Weight:kg	3.15
	NO.	NO.62-7

Remarks: HOWO

KD1215		
--------	--	--

	Part No.	AZ1642430110
	CH part name	前悬左下支架总成
	EN part name	Bottom spring bracket left
	RU part name	кронштейн левый нижний
	Size:mm	
	Weight:kg	8.9
	NO.	NO.62-15

Remarks: HOWO Screwy spring suspension of cab

KD1216		
--------	--	--

	Part No.	WG1642430280
--	----------	--------------



KD1217		
--------	--	--

	Part No.	WG1642430010
--	----------	--------------

Email: ventas@sdpartsdelivery.com



Email: ventas@sdpartsdelivery.com

Website: <http://www.sdpartsdelivery.com>

	CH part name	前悬减振器总成		CH part name	前悬左下支架总成
	EN part name	Air spring		EN part name	Bottom spring bracket left
	RU part name	в воздухе весна		RU part name	кронштейн левый нижний
	Size:mm			Size:mm	
	Weight:kg	2.6		Weight:kg	8.9
	NO.	NO.62-7		NO.	NO.62-15
Remarks: HOWO			Remarks: HOWO Air suspensio		

KD1218			KD1219		
	Part No.	AZ1642430041		Part No.	AZ1642430120
	CH part name	驾驶室左前支承支架		CH part name	前悬右下支架总成
	EN part name	Left bracket		EN part name	Bottom spring bracket right
	RU part name	Кроштейн левый		RU part name	кронштейн левый нижний
	Size:mm	450*290*160		Size:mm	
	Weight:kg	22.3		Weight:kg	8.9
	NO.	NO.62-14		NO.	NO.62-15

Remarks: HOWO Remarks: HOWO Air suspension of cab WG1642430120

KD1220			KD1221		
	Part No.	WG1642440051		Part No.	AZ1642430051
	CH part name	高度控制阀总成		CH part name	左摆臂总成
	EN part name	Height control valve		EN part name	Left swing arm assy.
	RU part name	Клапан управления подъемом кабины в сборе		RU part name	Рулевые тяги вертикальные
	Size:mm	250*58*33		Size:mm	320*200*110

Email: ventas@sdpartsdelivery.com

Email: ventas@sdpartsdelivery.com

Website: <http://www.sdpartsdelivery.com>

	Weight:kg	0.22		Weight:kg	3.8
	NO.	NO.62-26		NO.	NO.62-18
Remarks: HOWO A7			Remarks: HOWO		
KD1222			KD1223		
	Part No.	AZ1642430072		Part No.	WG1642430020
	CH part name	异形垫圈		CH part name	前悬右下支架总成
	EN part name	Washer		EN part name	Bottom spring bracket right
	RU part name	шайба		RU part name	кронштейн левый нижний
	Size:mm			Size:mm	
	Weight:kg	0.1		Weight:kg	8.9
	NO.	NO.62-19		NO.	NO.62-23
Remarks: HOWO			Remarks: HOWO		
KD1224			KD1225		
	Part No.	AZ1642430042		Part No.	AZ1642430052
	CH part name	驾驶室右前支承支架		CH part name	右摆臂总成
	EN part name	Right bracket		EN part name	Right swing arm assy.
	RU part name	Кроштейн правый		RU part name	Рулевые тяги вертикальные
	Size:mm	450*290*160		Size:mm	320*200*110
	Weight:kg	22.3		Weight:kg	3.8
	NO.	NO.62-38		NO.	NO.62-36
Remarks: HOWO			Remarks: HOWO		

Email: ventas@sdpartsdelivery.com

Email: ventas@sdpartsdelivery.com

Website: <http://www.sdpartsdelivery.com>

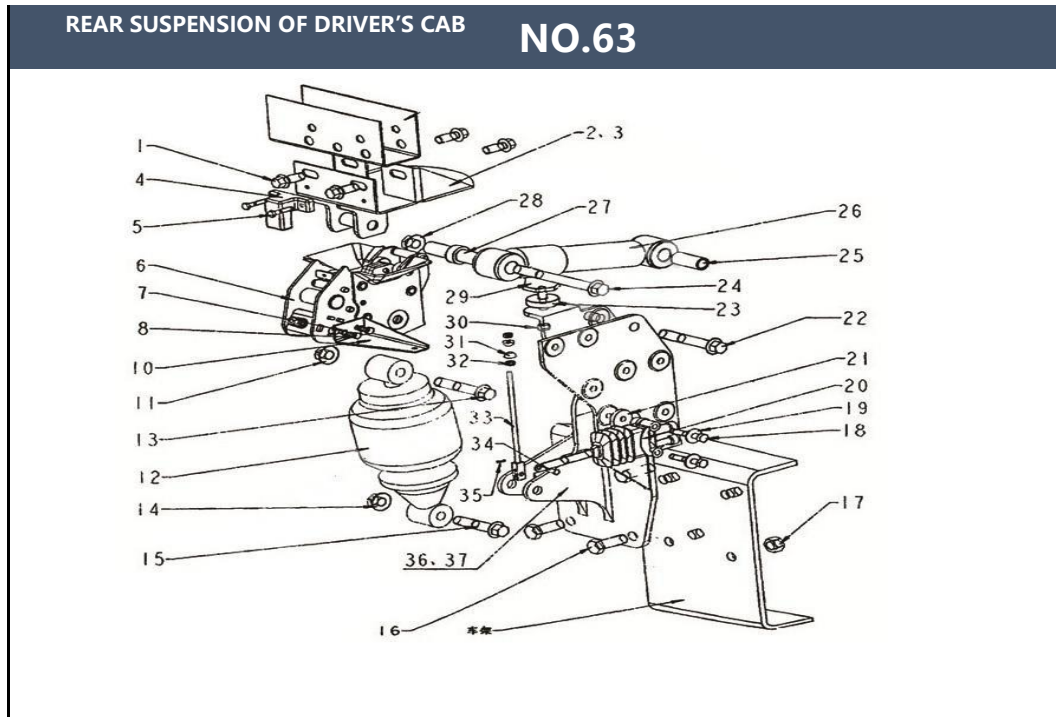
KD1226				KD1227			
	Part No.	AZ1642430091			Part No.	WG1642430081	
	CH part name	前减振器总成			CH part name	限位块总成	
	EN part name	Shock absorber			EN part name	Spring stop	
	RU part name	назад амортизатор			RU part name	Резиновый буфер	
	Size:mm				Size:mm	60*35*35	
	Weight:kg	4.1			Weight:kg	0.11	
	NO.	NO.62-41			NO.	NO.62-44	
Remarks: HOWO				Remarks: HOWO AZ1642430083 A7			
KD1228				KD1229			
	Part No.	AZ1642430231			Part No.	AZ1642430097	
	CH part name	驾驶室翻转支架			CH part name	橡胶限位块	
	EN part name	Cabin tilting bracket			EN part name	Rubber stop	
	RU part name	Кронштейн кабины передний правый			RU part name	резиновый концевой блок	
	Size:mm	420*360*110			Size:mm		
	Weight:kg	1.3			Weight:kg	0.32	
	NO.	NO.62-16			NO.	NO.62-47	
Remarks: HOWO AZ1682430231 AZ1682439231				Remarks: HOWO			
KD1230				KD1231			
	Part No.	AZ1642430232			Part No.	AZ1642430219	
	CH part name	驾驶室翻转支架			CH part name	驾驶室翻转轴	
	EN part name	Cabin tilting bracket			EN part name	Tilting shaft	
	RU part name	Кронштейн кабины передний правый			RU part name	Вал торсионный кабины	
	Size:mm	420*360*110			Size:mm	1290*325*75	
	Weight:kg	1.3			Weight:kg	19.1	
	NO.	NO.62-19			NO.	NO.62-2	

Email: ventas@sdpartsdelivery.com

Email: ventas@sdpartsdelivery.com

Website: <http://www.sdpartsdelivery.com>

Remarks: HOWO AZ1682439232 AZ1682430232			Remarks: HOWO		
KD1232			KD1233		
	Part No.	WG1642440052		Part No.	AZ1642430061
	CH part name	驾驶室锁止信号开关		CH part name	驾驶室翻转衬套
	EN part name	Sensor for cab lock		EN part name	Bush
	RU part name	Выключатель сигнала закрытия кабины		RU part name	Втулка торсиона кабины
	Size:mm	70*52*47		Size:mm	58*58
	Weight:kg	0.04		Weight:kg	0.4
	NO.	NO.63-4		NO.	NO.62-7
Remarks: HOWO A7			Remarks: HOWO		

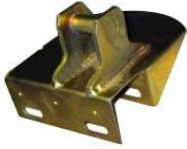




KD1234		
	Part No.	AZ1642430071
	CH part name	螺栓
	EN part name	Bolt
	RU part name	Болт
	Size:mm	110*35*35
	Weight:kg	0.45
	NO.	NO.62-8-17
Remarks: HOWO		
KD1235		
	Part No.	WG1642440040
	CH part name	左上支架总成

Email: ventas@sdpartsdelivery.com

Email: ventas@sdpartsdelivery.com

Website: <http://www.sdpartsdelivery.com>

						<table border="1"> <tr> <td>EN part name</td> <td>Above bracket left</td> </tr> <tr> <td>RU part name</td> <td>левый верхний кронштейн</td> </tr> <tr> <td>Size:mm</td> <td></td> </tr> <tr> <td>Weight:kg</td> <td>0.4</td> </tr> <tr> <td>NO.</td> <td>NO.63-2</td> </tr> </table>		EN part name	Above bracket left	RU part name	левый верхний кронштейн	Size:mm		Weight:kg	0.4	NO.	NO.63-2
EN part name	Above bracket left																
RU part name	левый верхний кронштейн																
Size:mm																	
Weight:kg	0.4																
NO.	NO.63-2																
			Remarks: HOWO														
KD1236			KD1237														
	Part No.	WG1642440101		Part No.	WG1642440041												
	CH part name	驾驶室液压锁		CH part name	右上支架总成												
	EN part name	Hydraulic lock		EN part name	Above bracket right												
	RU part name	Замок кабины		RU part name	правый верхний кронштейн												
	Size:mm	200*135*135		Size:mm													
	Weight:kg	2.75		Weight:kg	0.4												
	NO.	NO.63-6		NO.	NO.63-3												
Remarks: HOWO			Remarks: HOWO														
KD1238			KD1239														
	Part No.	WG1642440055		Part No.	WG1642440056												
	CH part name	左推杆支架		CH part name	右推杆支架												
	EN part name	Left bracket		EN part name	Right bracket												
	RU part name	кронштейн толкателя клапана		RU part name	кронштейн толкателя клапана												
	Size:mm			Size:mm													

Email: ventas@sdpartsdelivery.com

Email: ventas@sdpartsdelivery.com

Website: <http://www.sdpartsdelivery.com>

	Weight:kg	0.35		Weight:kg	0.35
	NO.	NO.63-9		NO.	NO.63-10
Remarks: HOWO A7 Air suspension of standard cab			Remarks: HOWO A7 Air suspension of standard cab		



KD1240			KD1241		
	Part No.	AZ1642440025		Part No.	AZ1642440027
	CH part name	后悬减振器总成		CH part name	后悬减振器总成
	EN part name	Shock absorber		EN part name	Shock absorber(screwy spring)
	RU part name	Амортизатор задней подвески в сборе		RU part name	Амортизатор задней подвески в сборе
	Size:mm	350*90		Size:mm	350*75
	Weight:kg	2.5		Weight:kg	2.35
	NO.	NO.63-12		NO.	NO.63-12
Remarks: HOWO Air suspension of standard cab			Remarks: HOWO Spring suspension of standard cab WG1642440028		

KD1242			KD1243		
	Part No.	AZ1642440021		Part No.	WG1642440060
	CH part name	横向稳定减振器		CH part name	推杆总成 II
	EN part name	Shock absorber		EN part name	Brace rod
	RU part name	Амортизатор стабилизатора		RU part name	толкателя клапана Ассамблеи II
	Size:mm	288*45		Size:mm	
	Weight:kg	1.3		Weight:kg	0.1
	NO.	NO.63-26		NO.	NO.63-33

Email: ventas@sdpartsdelivery.com

Email: ventas@sdpartsdelivery.com

Website: <http://www.sdpartsdelivery.com>

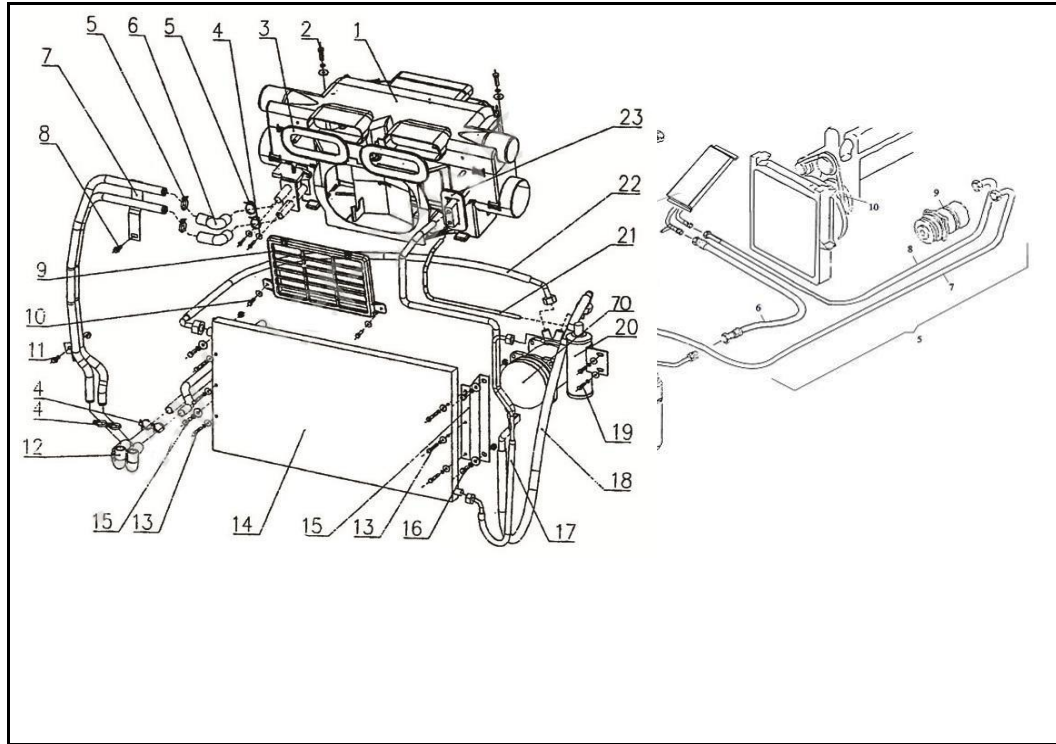
Remarks: HOWO			Remarks: HOWO A7		
KD1244			KD1245		
	Part No.	AZ1642440011		Part No.	AZ1642440012
	CH part name	左下支架		CH part name	右下支架
	EN part name	Left down bracket		EN part name	Right down bracket
	RU part name	Кронштейн левый нижний		RU part name	Кронштейн правый нижний
	Size:mm	430*230*230		Size:mm	430*230*230
	Weight:kg	9.98		Weight:kg	9.98
	NO.	NO.63-36		NO.	NO.63-37
Remarks: HOWO			Remarks: HOWO		
KD1244			KD1245		
	Part No.			Part No.	
	CH part name			CH part name	
	EN part name			EN part name	
	RU part name			RU part name	
	Size:mm			Size:mm	
	Weight:kg			Weight:kg	
	NO.			NO.	
Remarks: HOWO			Remarks: HOWO		

DRIVER'S CAB HEATING/ AIR CONDITIONER	NO.64	KD1246		
---------------------------------------	--------------	--------	--	--

Email: ventas@sdpartsdelivery.com

Email: ventas@sdpartsdelivery.com

Website: <http://www.sdpartsdelivery.com>



Part No.	AZ1630840302
CH part name	暖风电机总成
EN part name	Heater assy.
RU part name	Отопитель в сборе
Size:mm	710*45*35
Weight:kg	5.9
NO.	NO.64-1

Remarks: HOWO

KD1247



Part No.	WG1642820002
CH part name	带电动风门的空调器总成
EN part name	Air conditioner with electro air intake
RU part name	кондиционер Ассамблеи
Size:mm	400*300*100
Weight:kg	6
NO.	NO.64-1

Remarks: HOWO

KD1248



Part No.	AZ1630840319
CH part name	散热器总成
EN part name	Water tank assembly
RU part name	радиатор
Size:mm	
Weight:kg	0.34
NO.	NO.64-1-3

Remarks: HOWO

KD1249



Part No.	AZ1630840074
CH part name	散热器
EN part name	Water tank
RU part name	радиатор
Size:mm	
Weight:kg	0.26
NO.	NO.64-1-3

Remarks: HOWO

KD1250

KD1251

Email: ventas@sdpartsdelivery.com

Email: ventas@sdpartsdelivery.com

Website: <http://www.sdpartsdelivery.com>

	Part No.	AZ1630840320		Part No.	AZ1630840073
	CH part name	水阀总成		CH part name	进水管总成
	EN part name	Valve		EN part name	Outlet water pipe
	RU part name	Трубопровод водяной впускной		RU part name	Трубопровод водяной выпускной
	Size:mm	252*180*63		Size:mm	220*30*30
	Weight:kg	0.16		Weight:kg	0.08
	NO.	NO.64-1-3-2		NO.	NO.64-1-3-4
Remarks: HOWO			Remarks: HOWO		

KD1252			KD1253		
	Part No.	AZ1630840014		Part No.	AZ1642820010
	CH part name	暖风机总成		CH part name	蒸发器总成
	EN part name	Heater		EN part name	Evaporator assembly
	RU part name	Мотор отопителя		RU part name	испаритель Ассамблеи
	Size:mm	345*150*145		Size:mm	
	Weight:kg	1.75		Weight:kg	1.8
	NO.	NO.64-1-11		NO.	NO.64-1-6
Remarks: HOWO			Remarks: HOWO		



KD1254			KD1255		
	Part No.	AZ1630840321		Part No.	AZ1642840084
	CH part name	风机调速块总成		CH part name	进风口护网总成
	EN part name	Fan speed changer		EN part name	Protect net
	RU part name	Регулятор вентилятора в сборе		RU part name	на входе защитные сети
	Size:mm	62*61*47		Size:mm	
	Weight:kg	0.068		Weight:kg	0.25
	NO.	NO.64-1-14		NO.	NO.64-9
Remarks: HOWO WG1630840321			Remarks: HOWO		

Email: ventas@sdpartsdelivery.com

Email: ventas@sdpartsdelivery.com

Website: <http://www.sdpartsdelivery.com>





KD1256				KD1257			
	Part No.	AZ1642840013			Part No.	WG1642840092	
	CH part name	钢管总成			CH part name	成型软管 II	
	EN part name	Steel pipe			EN part name	Hose II	
	RU part name	стальные трубы Ассамблеи			RU part name	формирование шланг II	
	Size:mm				Size:mm		
	Weight:kg	0.34			Weight:kg	0.1	
	NO.	NO.64-7			NO.	NO.64-12	
Remarks: HOWO				Remarks: HOWO			
KD1258				KD1259			
	Part No.	WG1630820073			Part No.	WG1642820010	
	CH part name	冷凝器总成			CH part name	冷凝器总成	
	EN part name	07 Model condenser assy.			EN part name	08 Model condenser assy.	
	RU part name	Радиатор кондиционера в сборе			RU part name	Радиатор кондиционера в сборе	
	Size:mm	760*320*15			Size:mm	760*320*15	
	Weight:kg	2.5			Weight:kg	2.5	
	NO.	NO.64-14			NO.	NO.64-14	
Remarks: HOWO				Remarks: HOWO WG1642820047 08 款			

KD1260				KD1261			
	Part No.	WG1642820017			Part No.	WG1642820019	
	CH part name	冷-储软管总成			CH part name	蒸-压软管总成	
	EN part name	Condenser-receiver connect tube			EN part name	Evaporator-compressor connect tube	
	RU part name	холодно - хранения шланг			RU part name	вареный - давления шланг	
	Size:mm				Size:mm		

Email: ventas@sdpartsdelivery.com

Email: ventas@sdpartsdelivery.com

Website: <http://www.sdpartsdelivery.com>



	Weight:kg	0.15		Weight:kg	0.21
	NO.	NO.64-17		NO.	NO.64-18
Remarks: HOWO			Remarks: HOWO WG1642820029 WG1642828019		
KD1262			KD1263		
	Part No.	WG1642820015		Part No.	WG1642820015
	CH part name	储液器总成		CH part name	储液器总成
	EN part name	Receiver tank		EN part name	Receiver tank
	RU part name	водохранилище		RU part name	водохранилище
	Size:mm			Size:mm	
	Weight:kg	0.483		Weight:kg	0.483
	NO.	NO.64-20		NO.	NO.64-20
Remarks: HOWO			Remarks: HOWO		
KD1264			KD1265		
	Part No.	WG1642820018		Part No.	WG1642820016
	CH part name	储-蒸高压管		CH part name	压-冷软管总成
	EN part name	Receiver-evaporator connect tube		EN part name	Compressor-condenser connect tube
	RU part name	трубы высокого давления для хранения - паром		RU part name	давление - холодной шланг
	Size:mm			Size:mm	
	Weight:kg	0.13		Weight:kg	0.132
	NO.	NO.64-21		NO.	NO.64-22
Remarks: HOWO			Remarks: HOWO		

Email: ventas@sdpartsdelivery.com

Email: ventas@sdpartsdelivery.com

Website: <http://www.sdpartsdelivery.com>

KD1266			KD1267		
	Part No.	WG1630840032		Part No.	AZ1608840025
	CH part name	控制面板总成		CH part name	控制面板
	EN part name	Control panel		EN part name	Control panel
	RU part name	панель управления		RU part name	панель управления
	Size:mm			Size:mm	
	Weight:kg	0.31		Weight:kg	0.12
	NO.	NO.64-24		NO.	NO.64-24
Remarks: HOWO			Remarks: HOWO		






KD1268			KD1269		
	Part No.	WG1630840323		Part No.	WG1630820313
	CH part name	空调操纵面板总成		CH part name	温度传感器总成
	EN part name	Control panel		EN part name	Temperature sensor
	RU part name	панель управления		RU part name	датчик температуры
	Size:mm			Size:mm	
	Weight:kg	0.32		Weight:kg	0.01
	NO.	NO.64-24		NO.	NO.64-25
Remarks: HOWO			Remarks: HOWO		

KD1270			KD1271		
	Part No.	AZ1630820314		Part No.	WG1500139000/3
	CH part name	空调线束总成		CH part name	制冷压缩机
	EN part name	Electrical line for air conditioner		EN part name	Compressor
	RU part name	кондиционер электропроводка		RU part name	Компрессор кондиционера

Email: ventas@sdpartsdelivery.com

Email: ventas@sdpartsdelivery.com

Website: <http://www.sdpartsdelivery.com>

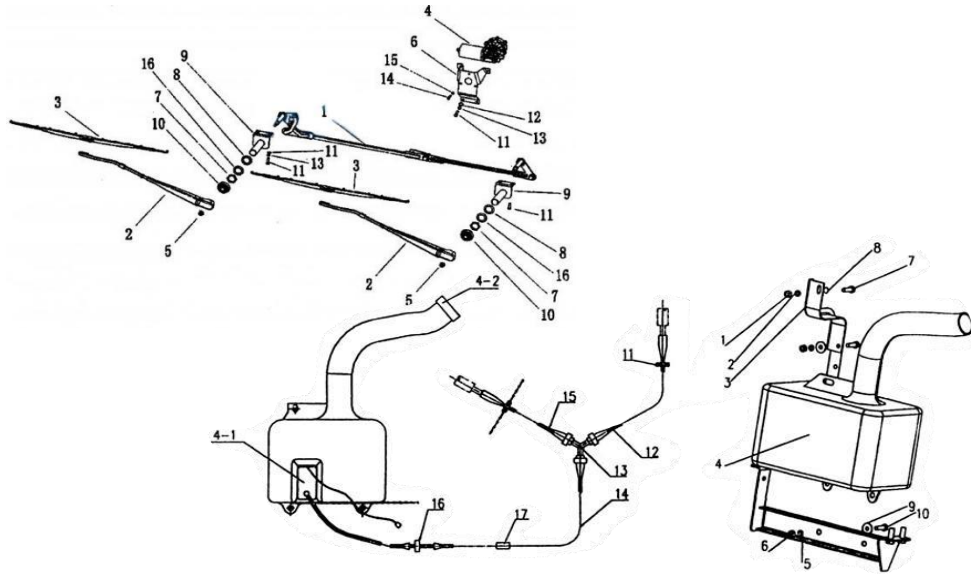
	Size:mm		Size:mm	220*125*175	
	Weight:kg	0.31	Weight:kg	7.39	
	NO.	NO.64-26	NO.	NO.64-9	
Remarks: HOWO			Remarks: HOWO		
KD1272			KD1273		
	Part No.	AZ1500130018		Part No.	WG1500139001
	CH part name	空调托架		CH part name	制冷压缩机多楔带
	EN part name	Bracket		EN part name	Compressor
	RU part name	кондиционер кронштейн		RU part name	Компрессор кондиционера
	Size:mm			Size:mm	220*125*175
	Weight:kg	1.23		Weight:kg	7.39
	NO.	NO.64-72		NO.	NO.64-9
Remarks: HOWO			Remarks: HOWO		
KD1274			KD1275		
	Part No.	WG1500090026		Part No.	WG1500130016
	CH part name	拉紧螺栓		CH part name	皮带
	EN part name	Collar bolt		EN part name	Belt
	RU part name	натяжной болт		RU part name	Ремень
	Size:mm			Size:mm	1420*12*12
	Weight:kg	0.1		Weight:kg	0.1
	NO.	NO.64-79		NO.	NO.64-10
Remarks: HOWO			Remarks: HOWO AV10*1420 AV10*1067		

WINDSCREEN WASHING EQUIPMENT	NO.65 WINDSCREEN WIPER	KD1276	
			Part No. WG1500130017

Email: ventas@sdpartsdelivery.com

Email: ventas@sdpartsdelivery.com

Website: <http://www.sdpartsdelivery.com>



CH part name	皮带
EN part name	Belt
RU part name	Ремень
Size:mm	1020*30*10
Weight:kg	0.12
NO.	NO.64-10

Remarks: HOWO

KD1277



Part No.	WG1646860001
CH part name	风窗洗涤器总成
EN part name	Model washing equipment
RU part name	Омыватель ветрового стекла в сборе
Size:mm	420*250*205
Weight:kg	0.92
NO.	NO.65-4-2

Remarks: HOWO 07 款

KD1278



Part No.	WG1642860011
CH part name	风窗洗涤器总成
EN part name	08 Model washing equipment
RU part name	Омыватель ветрового стекла в сборе
Size:mm	320*220*180
Weight:kg	2
NO.	NO.65-4-2

Remarks: HOWO 08 款

KD1279



Part No.	WG1646860001-1
CH part name	洗涤器泵
EN part name	Pump
RU part name	Насос омывателя
Size:mm	75*65*45
Weight:kg	0.02
NO.	NO.65-4-1

Remarks: HOWO

KD1280

Part No.	WG1642740009
----------	--------------



KD1281

Part No.	WG1642740010
----------	--------------

Email: ventas@sdpartsdelivery.com

Email: ventas@sdpartsdelivery.com

Website: <http://www.sdpartsdelivery.com>

	CH part name	连杆总成		CH part name	雨挂臂总成
	EN part name	Lever assy.		EN part name	Wiper arm
	RU part name	Шатун в сборе		RU part name	Рычаг стеклоочистителя в сборе
	Size:mm	650*220*150		Size:mm	605*35*3
	Weight:kg	2.15		Weight:kg	0.5
	NO.	NO.65-1		NO.	NO.65-2
Remarks: HOWO			Remarks: HOWO		

KD1282			KD1283		
	Part No.	WG1642740008/1		Part No.	WG1642740011
	CH part name	雨刮电机		CH part name	雨刮片
	EN part name	Wiper motor		EN part name	Wiper blade
	RU part name	Электродвигатель стеклоочистителя		RU part name	Щетка стеклоочистителя
	Size:mm	220*140*53		Size:mm	700*45*15
	Weight:kg	1.59		Weight:kg	0.3
	NO.	NO.65-4		NO.	NO.65-3
Remarks: HOWO			Remarks: HOWO		





KD1284			KD1285		
	Part No.	WG9719820001		Part No.	WG9719820002
	CH part name	液压手动油泵		CH part name	驾驶室举升油缸
	EN part name	Hydraulic hand pump		EN part name	Hydraulic cylinder
	RU part name	Гидронасос ручной подкачки		RU part name	Гидроцилиндр подъема кабины
	Size:mm	162*156*92		Size:mm	480*100*65
	Weight:kg	2.5		Weight:kg	7.4
	NO.	NO.66-1		NO.	NO.66-4
Remarks: HOWO			Remarks: HOWO		


KD1286			KD1287		
	Part No.	WG9719821005		Part No.	WG9719820005

Email: ventas@sdpartsdelivery.com

Email: ventas@sdpartsdelivery.com

Website: <http://www.sdpartsdelivery.com>

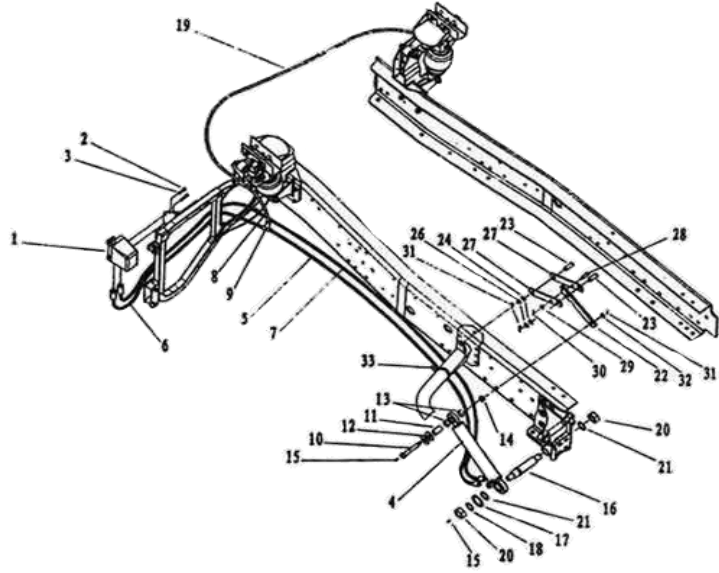





	CH part name	单弯头高压软管		CH part name	单弯头高压软管
	EN part name	High pressure hose		EN part name	High pressure hose
	RU part name	Одноколенный шланг высокого давления		RU part name	Одноколенный шланг высокого давления
	Size:mm	2600*8		Size:mm	2060*8
	Weight:kg	0.16		Weight:kg	0.16
	NO.	NO.66-5		NO.	NO.66-5
Remarks: HOWO 2600mm			Remarks: HOWO 2060mm		
KD1288			KD1289		
	Part No.	WG9719821006		Part No.	WG9719820006
	CH part name	单弯头高压软管		CH part name	单弯头高压软管
	EN part name	High pressure hose		EN part name	High pressure hose
	RU part name	Одноколенный шланг высокого давления		RU part name	Одноколенный шланг высокого давления
	Size:mm	600*8		Size:mm	1060*8
	Weight:kg	0.08		Weight:kg	0.11
NO.	NO.66-6	NO.	NO.66-6		
Remarks: HOWO 600mm			Remarks: HOWO 1060mm		

TILTING EQUIPMENT	NO.66		KD1290			
			Part No.	WG9719820007	Part No.	WG9719820007
			CH part name	双弯头高压软管	CH part name	双弯头高压软管
			EN part name	High pressure hose	EN part name	High pressure hose
			RU part name	Двухколенный шланг высокого давления	RU part name	Двухколенный шланг высокого давления
			Size:mm	3150*8	Size:mm	3150*8
			Weight:kg	0.24	Weight:kg	0.24
		NO.	NO.66-7	NO.	NO.66-7	
		Remarks: HOWO 3150mm				
				KD1291		
			Part No.	WG1642440075		

Email: ventas@sdpartsdelivery.com

Email: ventas@sdpartsdelivery.com

Website: <http://www.sdpartsdelivery.com>



		<table border="1"> <tr> <td>CH part name</td> <td>单弯头软管</td> </tr> <tr> <td>EN part name</td> <td>High pressure hose</td> </tr> <tr> <td>RU part name</td> <td>Одноколенный шланг высокого давления</td> </tr> <tr> <td>Size:mm</td> <td>800*8</td> </tr> <tr> <td>Weight:kg</td> <td>0.1</td> </tr> <tr> <td>NO.</td> <td>NO.66-8</td> </tr> </table>	CH part name	单弯头软管	EN part name	High pressure hose	RU part name	Одноколенный шланг высокого давления	Size:mm	800*8	Weight:kg	0.1	NO.	NO.66-8																	
CH part name	单弯头软管																														
EN part name	High pressure hose																														
RU part name	Одноколенный шланг высокого давления																														
Size:mm	800*8																														
Weight:kg	0.1																														
NO.	NO.66-8																														
<p>KD1292</p>	<p>KD1293</p>	<p>Remarks: HOWO 800mm</p>																													
	<table border="1"> <tr> <td>Part No.</td> <td>190003559482</td> </tr> <tr> <td>CH part name</td> <td>卡套式三通管接头</td> </tr> <tr> <td>EN part name</td> <td>T-nozzle</td> </tr> <tr> <td>RU part name</td> <td>набор карт типа тройник</td> </tr> <tr> <td>Size:mm</td> <td></td> </tr> <tr> <td>Weight:kg</td> <td>0.06</td> </tr> <tr> <td>NO.</td> <td>NO.66-9</td> </tr> </table>	Part No.	190003559482	CH part name	卡套式三通管接头	EN part name	T-nozzle	RU part name	набор карт типа тройник	Size:mm		Weight:kg	0.06	NO.	NO.66-9		<table border="1"> <tr> <td>Part No.</td> <td>WG9719820007Z</td> </tr> <tr> <td>CH part name</td> <td>驾驶室举升管套</td> </tr> <tr> <td>EN part name</td> <td>Cab lifting pipe</td> </tr> <tr> <td>RU part name</td> <td>такси отмены трубы</td> </tr> <tr> <td>Size:mm</td> <td>3150*20*20</td> </tr> <tr> <td>Weight:kg</td> <td>0.46</td> </tr> <tr> <td>NO.</td> <td>NO.66-5-6-7-8</td> </tr> </table>	Part No.	WG9719820007Z	CH part name	驾驶室举升管套	EN part name	Cab lifting pipe	RU part name	такси отмены трубы	Size:mm	3150*20*20	Weight:kg	0.46	NO.	NO.66-5-6-7-8
Part No.	190003559482																														
CH part name	卡套式三通管接头																														
EN part name	T-nozzle																														
RU part name	набор карт типа тройник																														
Size:mm																															
Weight:kg	0.06																														
NO.	NO.66-9																														
Part No.	WG9719820007Z																														
CH part name	驾驶室举升管套																														
EN part name	Cab lifting pipe																														
RU part name	такси отмены трубы																														
Size:mm	3150*20*20																														
Weight:kg	0.46																														
NO.	NO.66-5-6-7-8																														
<p>Remarks: HOWO</p>	<p>Remarks: HOWO</p>																														
<p>KD1294</p>	<p>KD1295</p>																														
	<table border="1"> <tr> <td>Part No.</td> <td>AZ9719820009</td> </tr> <tr> <td>CH part name</td> <td>衬套</td> </tr> <tr> <td>EN part name</td> <td>Bush</td> </tr> <tr> <td>RU part name</td> <td>втулка</td> </tr> </table>	Part No.	AZ9719820009	CH part name	衬套	EN part name	Bush	RU part name	втулка		<table border="1"> <tr> <td>Part No.</td> <td>AZ9719820008</td> </tr> <tr> <td>CH part name</td> <td>驾驶室翻转油缸支承轴 I</td> </tr> <tr> <td>EN part name</td> <td>Support shaft I</td> </tr> <tr> <td>RU part name</td> <td>вспомогательный вал</td> </tr> </table>	Part No.	AZ9719820008	CH part name	驾驶室翻转油缸支承轴 I	EN part name	Support shaft I	RU part name	вспомогательный вал												
Part No.	AZ9719820009																														
CH part name	衬套																														
EN part name	Bush																														
RU part name	втулка																														
Part No.	AZ9719820008																														
CH part name	驾驶室翻转油缸支承轴 I																														
EN part name	Support shaft I																														
RU part name	вспомогательный вал																														

Email: ventas@sdpartsdelivery.com



Email: ventas@sdpartsdelivery.com

Website: <http://www.sdpartsdelivery.com>

	Size:mm		Size:mm		
	Weight:kg	0.25	Weight:kg	0.65	
	NO.	NO.66-11	NO.	NO.66-10	
Remarks: HOWO			Remarks: HOWO		

KD1296			KD1297		
	Part No.	AZ9719820012		Part No.	AZ9719820010
	CH part name	衬套		CH part name	驾驶室翻转油缸支承轴 II
	EN part name	Bush		EN part name	Support shaft II
	RU part name	втулка		RU part name	вспомогательный вал
	Size:mm			Size:mm	
	Weight:kg	0.03		Weight:kg	0.75
	NO.	NO.66-11		NO.	NO.66-16

Remarks: HOWO

KD1298			KD1299		
	Part No.	WG1642440072		Part No.	190003903452
	CH part name	双弯头软管		CH part name	销轴
	EN part name	Hose		EN part name	Bolt
	RU part name	Двухколенный шланг		RU part name	штифт оси
	Size:mm	3500*8		Size:mm	
	Weight:kg	0.28		Weight:kg	0.01
	NO.	NO.66-19		NO.	NO.66-28

Remarks: HOWO 3500mm

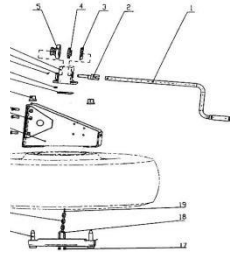
SPARE WHEEL CARRIER **NO.67**

			KD1300		
	Part No.	AZ9719860027		Part No.	AZ9719860027
	CH part name	备胎架支架及传动装置		CH part name	备胎架支架及传动装置

Email: ventas@sdpartsdelivery.com

Email: ventas@sdpartsdelivery.com

Website: <http://www.sdpartsdelivery.com>



EN part name	Drive device
RU part name	диск устройства
Size:mm	
Weight:kg	22.5
NO.	NO.67

Remarks: HOWO AZ9719860021

KD1301		
	Part No.	AZ9719520005
	CH part name	前簧前支架
	EN part name	Spring bracket front
	RU part name	передний кронштейн
	Size:mm	
	Weight:kg	8.1
NO.	NO.68-1	

Remarks: HOWO 4*2 6*2 6*4 8*4

KD1302		
	Part No.	AZ9232520010
	CH part name	前簧左后支架
	EN part name	Spring bracket rear,left
	RU part name	Кронштейн передней рессоры левый задний
	Size:mm	270*150*290
	Weight:kg	11.08
NO.	NO.68-5	

Remarks: HOWO 4*2 6*2 6*4

4×2, 6×2, 6×4 FRONT SPRING	NO.68
----------------------------	-------

--	--	--

KD1303		
	Part No.	AZ9232520011
	CH part name	前簧右后支架
	EN part name	Spring bracket rear,right
	RU part name	Кронштейн передней рессоры правый задний
	Size:mm	270*150*290
	Weight:kg	11.08
NO.	NO.68-5a	

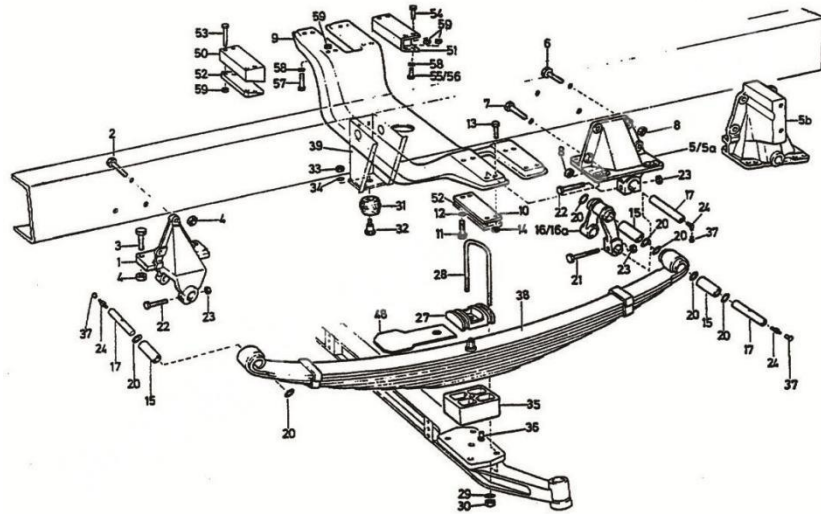
Remarks: HOWO 4*2 6*2 6*4

KD1304		
	Part No.	WG9114510510

Email: ventas@sdpartsdelivery.com

Email: ventas@sdpartsdelivery.com

Website: <http://www.sdpartsdelivery.com>



CH part name	横梁
EN part name	Cross member
RU part name	Поперечная балка
Size:mm	1020*460*210
Weight:kg	16.6
NO.	NO.68-9

Remarks: HOWO 4*2 6*2 6*4

KD1305		
--------	--	--

KD1306		
--------	--	--

	Part No.	WG9000520078
	CH part name	前钢板衬套
	EN part name	Bush
	RU part name	Втулка передней рессоры
	Size:mm	86*40*30
	Weight:kg	0.34
	NO.	NO.68-15

	Part No.	WG9100520034
	CH part name	前弹簧吊耳总成
	EN part name	Spring shackle front C
	RU part name	Серьга передней рессоры в сборе
	Size:mm	154*175*62
	Weight:kg	3.2
	NO.	NO.68-16

Remarks: HOWO 4*2 6*2 6*4

Remarks: HOWO 4*2 6*2 6*4 8*4

KD1307		
--------	--	--

KD1308		
--------	--	--

	Part No.	WG9100520065
	CH part name	弹簧销
	EN part name	Spring bolt
	RU part name	Палец передней рессоры
	Size:mm	150*30
	Weight:kg	0.8

	Part No.	199100520080
	CH part name	弹簧销
	EN part name	Spring bolt
	RU part name	Палец передней рессоры
	Size:mm	150*30
	Weight:kg	0.8

Email: ventas@sdpartsdelivery.com

Email: ventas@sdpartsdelivery.com

Website: <http://www.sdpartsdelivery.com>

	NO.	NO.68-17		NO.	NO.68-17
Remarks: HOWO 4*2 6*2 6*4 8*4			Remarks: HOWO 4*2 6*2 6*4 8*4		

KD1309			KD1310		
	Part No.	WG80 520002		Part No.	AZ9100520015
	CH part name	前簧压板		CH part name	前簧骑马螺栓
	EN part name	"U" bolt plate		EN part name	Spring clip
	RU part name	Башмак передней рессоры		RU part name	Стремянка передняя
	Size:mm	130*90*32		Size:mm	300*130*18
	Weight:kg	1.6		Weight:kg	1.25
	NO.	NO.68-27		NO.	NO.68-28

Remarks: HOWO 4*2 6*2 6*4 8*4			Remarks: HOWO 4*2		
-------------------------------	--	--	-------------------	--	--

KD1311			KD1312		
	Part No.	190003888626		Part No.	199014520259
	CH part name	前骑马螺栓螺母		CH part name	前簧骑马螺栓
	EN part name	Front "U" bolt nut		EN part name	Spring clip
	RU part name	Гайга стремянки передней		RU part name	Стремянка передняя
	Size:mm	25*25*20		Size:mm	300*130*18
	Weight:kg	0.1		Weight:kg	1.25
	NO.	NO.68-30		NO.	NO.68-28

Remarks: HOWO 4*2 6*2 6*4 8*4			Remarks: HOWO 6*4 WG9014520259		
-------------------------------	--	--	--------------------------------	--	--

Email: ventas@sdpartsdelivery.com

Email: ventas@sdpartsdelivery.com


Website: <http://www.sdpartsdelivery.com>


KD1313			KD1314		
	Part No.	WG9323520010		Part No.	AZ9731520034
	CH part name	前簧限位块		CH part name	前簧限位块支架
	EN part name	Spring stop block		EN part name	Bracket for spring stop
	RU part name	Буфер передней рессоры		RU part name	концевой блок скобка
	Size:mm	154*63*34.5		Size:mm	
	Weight:kg	0.38		Weight:kg	0.52
	NO.	NO.68-31		NO.	NO.68-39
Remarks: HOWO 4*2 6*2 6*4			Remarks: HOWO 4*2 6*2 6*4 8*4		
KD1315			KD1316		
	Part No.	WG9725520072		Part No.	WG9725520073
	CH part name	前左钢板弹簧总成		CH part name	前右钢板弹簧总成
	EN part name	Front left spring plate assy.		EN part name	Front left spring plate assy.
	RU part name	Рессора передняя левая в сборе		RU part name	Рессора передняя левая в сборе
	Size:mm	1850*130*280		Size:mm	1850*130*280
	Weight:kg	140		Weight:kg	140
	NO.	NO.68-38		NO.	NO.68-38
Remarks: HOWO 6*4 16mm*10 pcs 16mm*9 pcs			Remarks: HOWO 6*4 16mm*10 pcs 16mm*9 pcs		
KD1317			KD1318		
	Part No.	WG9725520072+001		Part No.	WG9725520072+002

Email: ventas@sdpartsdelivery.com

Email: ventas@sdpartsdelivery.com

Website: <http://www.sdpartsdelivery.com>

	CH part name	前钢板第一片
	EN part name	1st of front spring plate
	RU part name	Лист коренной рессоры передней
	Size:mm	1820*100*50
	Weight:kg	24
	NO.	NO.68-38

	CH part name	前钢板第二片
	EN part name	2nd of front spring plate
	RU part name	Лист второй рессоры передней
	Size:mm	1850*100*50
	Weight:kg	24
	NO.	NO.68-38

Remarks: HOWO 6*4 16mm*10 pcs 16mm*9 pcs


Remarks: HOWO 6*4 16mm*10 pcs 16mm*9 pcs


KD1319		
	Part No.	WG9235520025
	CH part name	左前钢板总成
	EN part name	Front left spring plate assy.
	RU part name	Рессора передняя левая в сборе
	Size:mm	1850*130*280
	Weight:kg	150
	NO.	NO.68-38

KD1320		
	Part No.	WG9235520026
	CH part name	前右钢板弹簧总成
	EN part name	Front left spring plate assy.
	RU part name	Рессора передняя левая в сборе
	Size:mm	1850*130*280
	Weight:kg	150
	NO.	NO.68-38

Remarks: HOWO 6*4 14mm*10 pcs 14mm*9 pcs

Remarks: HOWO 6*4 14mm*10 pcs 14mm*9 pcs


KD1321		
	Part No.	WG9235520025+001
	CH part name	前钢板第一片
	EN part name	1st of front spring plate
	RU part name	Лист коренной рессоры передней


KD1322		
	Part No.	WG9235520025+002
	CH part name	前钢板第二片
	EN part name	2nd of front spring plate
	RU part name	Лист второй рессоры передней

Email: ventas@sdpartsdelivery.com

Email: ventas@sdpartsdelivery.com

Website: <http://www.sdpartsdelivery.com>

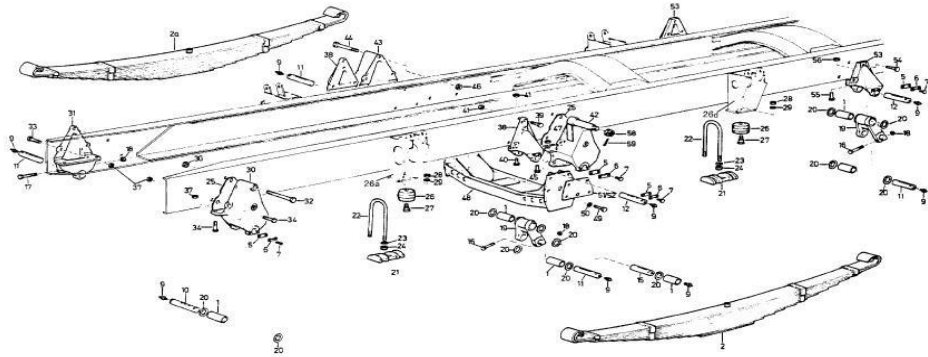
	Size:mm	1820*100*50		Size:mm	1850*100*50
	Weight:kg	24		Weight:kg	24
	NO.	NO.68-38		NO.	NO.68-38
Remarks: HOWO 6*4 14mm*10 pcs 14mm*9 pcs			Remarks: HOWO 6*4 14mm*10 pcs 14mm*9 pcs		
KD1323			KD1324		
	Part No.	WG9731520011		Part No.	WG9731520012
	CH part name	左前钢板总成		CH part name	前右钢板弹簧总成
	EN part name	Front left spring plate assy.		EN part name	Front left spring plate assy.
	RU part name	Рессора передняя левая в сборе		RU part name	Рессора передняя левая в сборе
	Size:mm	1850*130*280		Size:mm	1850*130*280
	Weight:kg	150		Weight:kg	150
	NO.	NO.69-2		NO.	NO.69-2a
Remarks: HOWO 8*4 16mm*13 pcs			Remarks: HOWO 8*4 16mm*13 pcs		


8×4 FRONT SPRING	NO.69			
		KD1325		
			Part No.	WG9731520011+001
			CH part name	前钢板第一片
			EN part name	1st of front spring plate
			RU part name	Лист коренной рессоры передней
			Size:mm	1820*100*50
			Weight:kg	24
			NO.	NO.69-2
Remarks: HOWO 8*4 16mm*13 pcs				

Email: ventas@sdpartsdelivery.com


Email: ventas@sdpartsdelivery.com

Website: <http://www.sdpartsdelivery.com>




KD1326		
	Part No.	WG9731520011+002
	CH part name	前钢板第二片
	EN part name	2nd of front spring plate
	RU part name	Лист второй рессоры передней
	Size:mm	1820*100*50
	Weight:kg	24
	NO.	NO.69-2


Remarks: HOWO 8*4 16mm*13 pcs


KD1327		
	Part No.	WG9731520041
	CH part name	左前钢板总成
	EN part name	Front left spring plate assy.
	RU part name	Рессора передняя левая в сборе
	Size:mm	1850*130*280
	Weight:kg	150
	NO.	NO.69-2

Remarks: HOWO 8*4 14mm*13 pcs

KD1328		
	Part No.	WG9731520042
	CH part name	右前钢板总成
	EN part name	Front left spring plate assy.
	RU part name	Рессора передняя левая в сборе
	Size:mm	1850*130*280
	Weight:kg	150
	NO.	NO.69-2a

Remarks: HOWO 8*4 14mm*13 pcs

KD1329		
	Part No.	WG9731520041+001
	CH part name	前钢板第一片
	EN part name	1st of front spring plate
	RU part name	Лист коренной рессоры передней
	Size:mm	1820*100*50
	Weight:kg	24

KD1330		
	Part No.	WG9731520041+002
	CH part name	前钢板第二片
	EN part name	2nd of front spring plate
	RU part name	Лист второй рессоры передней
	Size:mm	1820*100*50
	Weight:kg	24

Email: ventas@sdpartsdelivery.com



Email: ventas@sdpartsdelivery.com

Website: <http://www.sdpartsdelivery.com>

	NO.	NO.69-2		NO.	NO.69-2
Remarks: HOWO 8*4 14mm*13 pcs			Remarks: HOWO 8*4 14mm*13 pcs		

KD1331			KD1332		
	Part No.	199000520006		Part No.	147000520019
	CH part name	导向销		CH part name	定位块
	EN part name	Guide bolt		EN part name	Latch
	RU part name	направляющий штифт		RU part name	расположение блока
	Size:mm			Size:mm	
	Weight:kg	0.11		Weight:kg	0.021
	NO.	NO.69-3		NO.	NO.69-5

Remarks: HOWO 8*4

KD1333			KD1334		
	Part No.	179000520040		Part No.	199000520086
	CH part name	弹簧销		CH part name	前骑马螺栓
	EN part name	Spring bolt		EN part name	Spring clip
	RU part name	пружинный штифт		RU part name	Стремянка передняя
	Size:mm	150*30		Size:mm	310*130*18
	Weight:kg	0.8		Weight:kg	1.2
	NO.	NO.69-15		NO.	NO.69-22

Remarks: HOWO 8*4

KD1335			KD1336		
	Part No.	WG9750520017		Part No.	AZ9731520007
	CH part name	前簧限位块		CH part name	限位块支架
	EN part name	Spring stop		EN part name	Bracket for spring stop
	RU part name	концевой блок		RU part name	концевой блок скобка
	Size:mm	143*90		Size:mm	

Email: ventas@sdpartsdelivery.com

Email: ventas@sdpartsdelivery.com

Website: <http://www.sdpartsdelivery.com>





	Weight:kg	0.45		Weight:kg	0.73
	NO.	NO.69-26		NO.	NO.69-26d
Remarks: HOWO 8*4			Remarks: HOWO 8*4		
KD1337			KD1338		
	Part No.	190003888459		Part No.	179000520050
	CH part name	自锁螺母		CH part name	前簧后支架
	EN part name	Lock nut		EN part name	Spring bracket rear
	RU part name	самоконтрирующая гайка		RU part name	задний кронштейн
	Size:mm	M16x1.5		Size:mm	
	Weight:kg	0.1		Weight:kg	6.8
	NO.	NO.69-36		NO.	NO.69-38
Remarks: HOWO 8*4 190003888458 M14x1.5			Remarks: HOWO 8*4		

KD1339			KD1340		
	Part No.	AZ9731520021		Part No.	AZ9731520024
	CH part name	前簧右前支架		CH part name	前簧左前支架
	EN part name	Spring bracket right		EN part name	Spring bracket left
	RU part name	правый передний кронштейн		RU part name	левый передний кронштейн
	Size:mm			Size:mm	
	Weight:kg	17.9		Weight:kg	18.9
	NO.	NO.69-43		NO.	NO.69-42
Remarks: HOWO 8*4			Remarks: HOWO 8*4		
KD1341			KD1342		
	Part No.	AZ9731520005		Part No.	AZ9731510020
	CH part name	支架总成		CH part name	托架总成
	EN part name	Bracket		EN part name	Bracket C
	RU part name	кронштейн в сборе		RU part name	кронштейн в сборе

Email: ventas@sdpartsdelivery.com

Email: ventas@sdpartsdelivery.com

Website: <http://www.sdpartsdelivery.com>

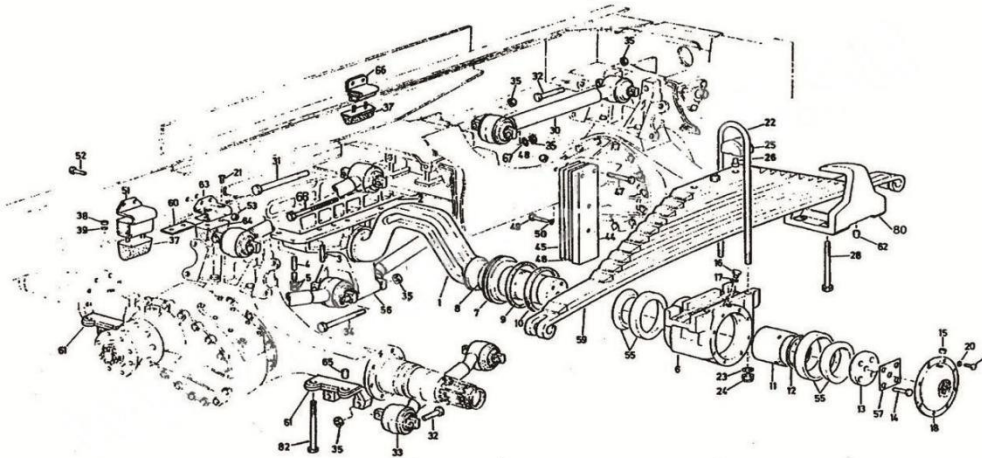
	Size:mm			Size:mm	
	Weight:kg			Weight:kg	15
	NO.	NO.69-43a-53a		NO.	NO.69-48
Remarks: HOWO 8*4			Remarks: HOWO 8*4		
KD1343			KD1344		
	Part No.	AZ9725520022		Part No.	AZ9731520004
	CH part name	平衡轴总成		CH part name	前簧后支架
	EN part name	Balance shaft		EN part name	Spring bracket rear
	RU part name	Балансирный вал		RU part name	задний кронштейн
	Size:mm	1220*560*450		Size:mm	
	Weight:kg	220		Weight:kg	6.8
	NO.	NO.70		NO.	NO.69-53
Remarks: HOWO 8*4 6*4 AZ9725520100			Remarks: HOWO 8*4		
KD1345			KD1346		
	Part No.	WG9014520227		Part No.	AZ9232520004
	CH part name	双头螺栓		CH part name	平衡轴
	EN part name	Stud		EN part name	Balance shaft
	RU part name	двойной болт		RU part name	Балансирный вал
	Size:mm			Size:mm	1200*560*450
	Weight:kg	0.1		Weight:kg	160
	NO.	NO.69-4		NO.	NO.70-1
Remarks: HOWO 8*4 6*4			Remarks: HOWO 8*4 6*4		

6×4, 8×4 SWIVEL SPRING AND SUSPENSION	NO.70	KD1347	
		Part No.	190003871353

Email: ventas@sdpartsdelivery.com

Email: ventas@sdpartsdelivery.com

Website: <http://www.sdpartsdelivery.com>



CH part name	1 型六角螺母-细牙
EN part name	Nut
RU part name	шестигранная гайка
Size:mm	
Weight:kg	0.02
NO.	NO.70-5

Remarks: HOWO

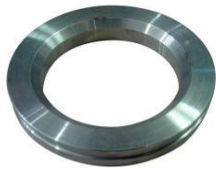
KD1348



Part No.	199114520035
CH part name	平衡轴壳
EN part name	Balance shaft housing
RU part name	Картер балансирующего вала
Size:mm	300*290*165
Weight:kg	30.7
NO.	NO.70-6

Remarks: HOWO 8*4 6*4

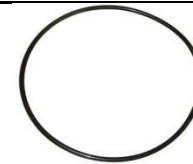
KD1349



Part No.	199114520136
CH part name	轴承油封盖
EN part name	Bearing oil seal cover
RU part name	Крышка сальника подшипника
Size:mm	190*110*32
Weight:kg	2.38
NO.	NO.70-7

Remarks: HOWO 8*4 6*4

KD1350



Part No.	WG614 130062
CH part name	密封圈
EN part name	Sealing ring
RU part name	уплотнительный кольцо
Size:mm	
Weight:kg	0.01
NO.	NO.70-8

Remarks: HOWO 8*4 6*4

KD1351

Part No.	AZ9114520223
----------	--------------



KD1352



Part No.	AZ9114520222
----------	--------------

Email: ventas@sdpartsdelivery.com

Email: ventas@sdpartsdelivery.com

Website: <http://www.sdpartsdelivery.com>

	CH part name	平衡轴油封		CH part name	平衡轴防尘罩
	EN part name	Balance shaft oil seal		EN part name	Ring
	RU part name	Сальник балансирующего вала		RU part name	Кольцо
	Size:mm	185*185*10.5		Size:mm	190*10
	Weight:kg	0.25		Weight:kg	0.07
	NO.	NO.70-9		NO.	NO.70-10
Remarks: HOWO 8*4 6*4			Remarks: HOWO 8*4 6*4		

KD1353			KD1354		
	Part No.	199014520191		Part No.	199014520192-94
	CH part name	平衡轴衬套		CH part name	平衡轴调整垫
	EN part name	Bush		EN part name	Space washer
	RU part name	Втулка балансирующего вала		RU part name	корректировки колодки
	Size:mm	120*120*110		Size:mm	
	Weight:kg	1.45		Weight:kg	0.12
NO.	NO.70-11	NO.	NO.70-12		

Remarks: HOWO 8*4 6*4 Remarks: HOWO 8*4 6*4 199014520303-06

KD1355			KD1356		
	Part No.	AZ9114520188		Part No.	199014520265
	CH part name	轴承压板		CH part name	止动垫圈
	EN part name	Bearing plate		EN part name	Lock washer
	RU part name	подшипник датчик давления		RU part name	стопорная шайба
	Size:mm	125*15		Size:mm	
	Weight:kg	1.15		Weight:kg	0.062
NO.	NO.70-13	NO.	NO.70-57		

Remarks: HOWO 8*4 6*4 199014520188 Remarks: HOWO 8*4 6*4

KD1357			KD1358		
--------	--	--	--------	--	--

Email: ventas@sdpartsdelivery.com

Email: ventas@sdpartsdelivery.com

Website: <http://www.sdpartsdelivery.com>

	Part No.	199014520311		Part No.	AZ9725520037
	CH part name	平衡轴盖		CH part name	后簧骑马螺栓
	EN part name	Balance shaft cover		EN part name	Spring clip
	RU part name	Крышка балансирного вала		RU part name	верховая езда болт
	Size:mm	210*210*60		Size:mm	
	Weight:kg	1.8		Weight:kg	4.25
	NO.	NO.70-18		NO.	NO.70-22
Remarks: HOWO 8*4 6*4			Remarks: HOWO 8*4 6*4 AZ9725520053 AZ9725520055		
KD1359			KD1360		
	Part No.	AZ9725520001		Part No.	AZ9638520005
	CH part name	后板簧左前支架		CH part name	弹簧压板
	EN part name	Bracket left,front		EN part name	"U" bolt plate
	RU part name	левый передний кронштейн		RU part name	Башмак передней рессоры старого образца
	Size:mm			Size:mm	270*130*50
	Weight:kg	10.35		Weight:kg	7.3
	Price:usd	NO.70-27		Price:usd	NO.70-25
Remarks: HOWO 8*4 6*4 AZ9638520001			Remarks: HOWO 8*4 6*4 WG9638520005		

KD1361			KD1362		
	Part No.	AZ9725520002		Part No.	AZ9725520003
	CH part name	后板簧右前支架		CH part name	后板簧左后支架
	EN part name	Bracket right,front		EN part name	Bracket left,rear
	RU part name	левый передний кронштейн		RU part name	левый передний кронштейн
	Size:mm			Size:mm	
	Weight:kg	10.35		Weight:kg	10.35
	NO.	NO.70-27a		NO.	NO.70-27b
Remarks: HOWO 8*4 6*4 AZ9638520002			Remarks: HOWO 8*4 6*4 AZ9638520003		

Email: ventas@sdpartsdelivery.com

Email: ventas@sdpartsdelivery.com

Website: <http://www.sdpartsdelivery.com>

KD1363				KD1364			
	Part No.	199014520174			Part No.	AZ9725520004	
	CH part name	上推力杆总成老式			CH part name	后板簧右后支架	
	EN part name	Up push rod old model			EN part name	Bracket right, rear	
	RU part name	Верхн.реактив.тяга в сборе			RU part name	левый передний кронштейн	
	Size:mm	710*200*101			Size:mm		
	Weight:kg	16.4			Weight:kg	10.35	
	NO.	NO.70-33			NO.	NO.70-27c	
Remarks: HOWO 8*4 6*4				Remarks: HOWO 8*4 6*4 AZ9638520004			
KD1365				KD1366			
	Part No.	199014520175			Part No.	WG9114521174	
	CH part name	下推力杆总成老式			CH part name	下推力杆总成	
	EN part name	Down push rod new model			EN part name	Bottom brace rod C	
	RU part name	Ниж.реакт.тяга в сборе			RU part name	Ниж.реакт.тяга в сборе	
	Size:mm	740*198*110			Size:mm	740*198*110	
	Weight:kg	16.5			Weight:kg	16.5	
	NO.	NO.70-30			NO.	NO.70-30	
Remarks: HOWO 8*4 6*4				Remarks: HOWO 8*4 6*4			
KD1367				KD1368			
	Part No.	AZ9631521175			Part No.	WG9114521175	
	CH part name	下推力杆			CH part name	上推力杆总成	
	EN part name	Steyr up push rod			EN part name	Up push rod old model	
	RU part name	Верхн.реактив.тяга в сборе			RU part name	Верхн.реактив.тяга в сборе	
	Size:mm	690*195*90			Size:mm	710*200*101	
	Weight:kg	15.63			Weight:kg	16.4	
	NO.	NO.70-33			NO.	NO.70-33	
Remarks: HOWO 8*4 6*4 STEYR				Remarks: HOWO 8*4 6*4			

Email: ventas@sdpartsdelivery.com

Email: ventas@sdpartsdelivery.com

Website: <http://www.sdpartsdelivery.com>

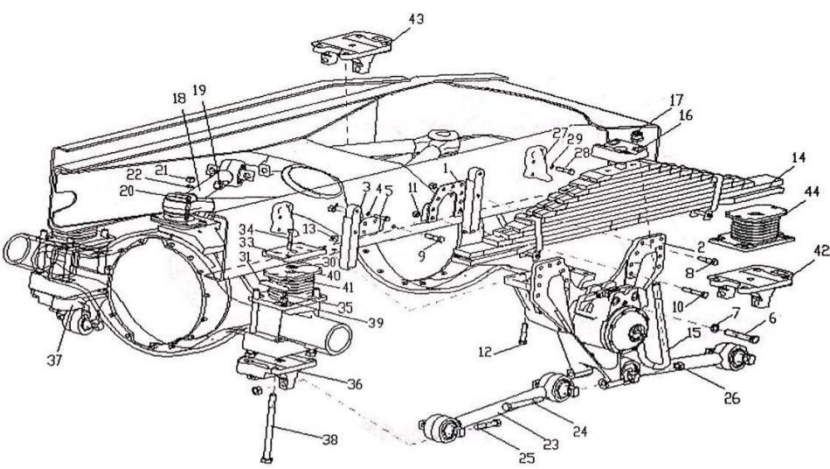

KD1369				KD1370			
	Part No.	AZ9631521174			Part No.	AZ9631521174-JX	
	CH part name	下推力杆			CH part name	推力杆胶芯 85*57	
	EN part name	Steer up push rod			EN part name	Ball joint	
	RU part name	Верхн.реактив.тяга в сборе			RU part name	Сайлентблок для тяги реактивной (резина)	
	Size:mm	690*195*90			Size:mm	190*85*85	
	Weight:kg	15.63			Weight:kg	2.6	
	NO.	NO.70-30			NO.	NO.70-30	
	Remarks: HOWO 8*4 6*4 STEYF				Remarks: HOWO 8*4 6*4 AZ9631521177		
KD1371				KD1372			
	Part No.	AZ9114521175-JX			Part No.	AZ9631521175-JX	
	CH part name	推力杆铁球头 80*53			CH part name	推力杆胶芯 85*77	
	EN part name	Ball joint 80*53			EN part name	Ball joint	
	RU part name	Сайлентблок для тяги реактивной(железо)			RU part name	Сайлентблок для тяги реактивной (резина)	
	Size:mm	180*80*80			Size:mm	190*85*85	
	Weight:kg	2.3			Weight:kg	2.8	
	NO.	NO.70-33			NO.	NO.70-33	
	Remarks: HOWO 8*4 6*4				Remarks: HOWO 8*4 6*4		
KD1373				KD1374			
	Part No.	199014520823			Part No.	199114520175-XLB	
	CH part name	双颈球头销			CH part name	推力杆修理包	
	EN part name	Pin			EN part name	V Brace rod repair kit	
	RU part name	Сайлентблок для тяги реактивной			RU part name	Ремкомплект V- обр Тяги	
	Size:mm	180*60*60			Size:mm	120*120*80	
	Weight:kg	2.1			Weight:kg	0.6	
	NO.	NO.70-30			NO.	NO.70-33	
	Remarks: HOWO 8*4 6*4				Remarks: HOWO 8*4 6*4		

Email: ventas@sdpartsdelivery.com

Email: ventas@sdpartsdelivery.com

Website: <http://www.sdpartsdelivery.com>

KD1375			KD1376		
	Part No.			Part No.	
	CH part name			CH part name	
	EN part name			EN part name	
	RU part name			RU part name	
	Size:mm			Size:mm	
	Weight:kg			Weight:kg	
	NO.			NO.	
Remarks: HOWO			Remarks: HOWO		

SWIVEL SPRING AND SUSPENSION		NO.70.1					
			KD1377				
				Part No.	AZ9725529272		
				CH part name	V 型推力杆总成		
				EN part name	V Bracket C		
				RU part name	Тяга V-образ. старого образца		
				Size:mm	730*660*12.5		
				Weight:kg	30.24		
				NO.	NO.70.1-18		
				Remarks: HOWO 8*4 09 款			
					KD1378		
				Part No.	AZ9725521272		
				CH part name	V 型推力杆总成		
				EN part name	V Bracket C		
				RU part name	Тяга V-образ. старого образца		
				Size:mm	730*660*12.5		

Email: ventas@sdpartsdelivery.com

Email: ventas@sdpartsdelivery.com

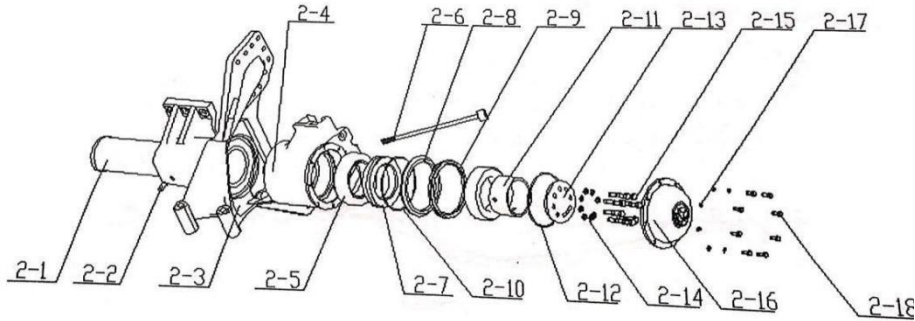
Website: <http://www.sdpartsdelivery.com>

					Weight:kg 30.24	NO. NO.70.1-18
				Remarks: HOWO 8*4 AZ9725523272		
KD1379				KD1380		
	Part No. AZ9631523175	CH part name 浇铸式推力杆总成	EN part name Howo down push rod		Part No. AZ9725526272	CH part name V 型推力杆总成
	RU part name Реактивная тяга нижняя в сборе	Size:mm 700*175*90	Weight:kg 13.9		EN part name V Bracket C	RU part name Тяга V-образ. старого образца
	NO. NO.70.1-26				Size:mm 730*660*12.5	Weight:kg 30.24
				Remarks: HOWO 8*4 08 款		
KD1381				KD1382		
	Part No. AZ9725520276	CH part name 橡胶支座	EN part name Rubber bearer		Part No. AZ9725520278	CH part name 橡胶支座
	RU part name Подушка рессоры	Size:mm 240*180*150	Weight:kg 13.6		EN part name Rubber bearer	RU part name Подушка рессоры
	NO. NO.70.1-44				Size:mm 240*180*150	Weight:kg 13.6
				Remarks: HOWO		
				Remarks: HOWO		
SWIVEL SPRING AND SUSPENSION		NO.70.2		KD1383		
					Part No. AZ9925520310	CH part name 双卡平衡轴总成

Email: ventas@sdpartsdelivery.com

Email: ventas@sdpartsdelivery.com

Website: <http://www.sdpartsdelivery.com>



EN part name	Balance shaft assy.
RU part name	Балансирный вал в сборе
Size:mm	590*700*500
Weight:kg	115
NO.	NO.70.2-2-3

Remarks: HOWO

KD1384



Part No.	AZ9725520210
CH part name	单卡平衡轴总成
EN part name	Balance shaft assy.
RU part name	Балансирный вал в сборе
Size:mm	590*700*500
Weight:kg	110
NO.	NO.70.2-2-3

Remarks: HOWO

KD1385



Part No.	AZ9725520235
CH part name	单卡平衡轴壳
EN part name	Balance shaft housing
RU part name	Картер балансирной оси
Size:mm	400*290*165
Weight:kg	30.1
NO.	NO.70.2-2-4

Remarks: HOWO

KD1386



Part No.	AZ9925520235
CH part name	双卡平衡轴壳
EN part name	Balance shaft housing
RU part name	Картер балансирной оси
Size:mm	400*290*165
Weight:kg	30.1
NO.	NO.70.2-2-4

Remarks: HOWO

KD1387

Part No.	AZ9725520238
CH part name	平衡轴衬套
EN part name	Bush



KD1388

Part No.	WG9114520042
CH part name	球面轴承
EN part name	Ball bearing

Email: ventas@sdpartsdelivery.com

Email: ventas@sdpartsdelivery.com

Website: <http://www.sdpartsdelivery.com>

	RU part name	Втулка балансирующего вала		RU part name	Сферический подшипник
	Size:mm	120*120*70		Size:mm	167*110*37
	Weight:kg	0.82		Weight:kg	3.61
	NO.	NO.70.2-2-11		NO.	NO.70.2-2-5
Remarks: HOWO 8*4			Remarks: HOWO 6*4 8*4		

KD1389			KD1390		
	Part No.	WG614130062		Part No.	WG9232520005
	CH part name	密封圈		CH part name	平衡板
	EN part name	Gasket		EN part name	Diff.sheet
	RU part name	уплотнительный кольцо		RU part name	баланс плита
	Size:mm			Size:mm	25mm
	Weight:kg	0.01		Weight:kg	11
	NO.	NO.70-2-10		NO.	NO.70-45

Remarks: HOWO 8*4 6*4 Remarks: HOWO 8*4 6*4

KD1391			KD1392		
	Part No.	AZ9232520003		Part No.	AZ9114520098
	CH part name	限位支架		CH part name	限位块支架(后桥)
	EN part name	Stop bracket		EN part name	Stop bracket
	RU part name	концевой кронштейн		RU part name	концевой кронштейн
	Size:mm			Size:mm	
	Weight:kg	0.52		Weight:kg	0.5
	NO.	NO.70-51		NO.	NO.70-51-66

Remarks: HOWO 8*4 6*4 AZ9232520002 Remarks: HOWO 8*4 6*4

KD1393			KD1394		
	Part No.	AZ9114520091		Part No.	199014520019
	CH part name	限位块总成		CH part name	连接销

Email: ventas@sdpartsdelivery.com

Email: ventas@sdpartsdelivery.com

Website: <http://www.sdpartsdelivery.com>

	EN part name RU part name Size:mm Weight:kg NO.	Spring stop block Отбойник задней рессоры 154*93*34.5 0.53 NO.70-37		EN part name RU part name Size:mm Weight:kg NO.	Bolt соединительный штифт 0.32 NO.70-54
Remarks: HOWO 8*4 6*4			Remarks: HOWO 8*4 6*4		
KD1395			KD1396		
	Part No. CH part name EN part name RU part name Size:mm Weight:kg NO.	WG9638520008 后钢板弹簧总成 Rear spring plate assy. Рессора задняя в сборе 1750*100*320 160 NO.70-59		Part No. CH part name EN part name RU part name Size:mm Weight:kg NO.	WG9731520013 后钢板弹簧总成 Rear spring plate assy. Рессора задняя в сборе 1750*100*320 160 NO.70-59
Remarks: HOWO 8*4 6*4			Remarks: HOWO 8*4 6*4		
KD1397			KD1398		
	Part No. CH part name EN part name RU part name Size:mm Weight:kg NO.	WG9638520008+001 后钢板第一片 1st of rear spring plate Коренной лист рессоры задней 1750*100*30 26 NO.70-59		Part No. CH part name EN part name RU part name Size:mm Weight:kg NO.	WG9725520283+001 后钢板第一片 2nd of rear spring plate Второй лист рессоры задней 1750*100*30 26 NO.70-59
Remarks: HOWO 8*4 6*4			Remarks: HOWO 8*4 6*4		
KD1399			KD1400		
	Part No.	WG9638520008+002		Part No.	WG9725520283+002

Email: ventas@sdpartsdelivery.com

Email: ventas@sdpartsdelivery.com



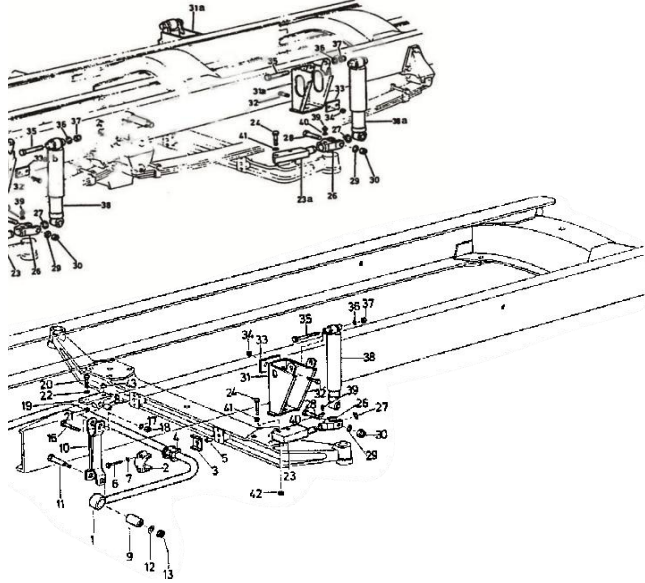


Website: <http://www.sdpartsdelivery.com>

	CH part name 后钢板第二片 EN part name 2nd of rear spring plate RU part name Второй лист рессоры задней Size:mm 1750*100*30 Weight:kg 26 NO. NO.70-59			CH part name 后钢板第二片 EN part name 2nd of rear spring plate RU part name Второй лист рессоры задней Size:mm 1750*100*30 Weight:kg 26 NO. NO.70-59	
Remarks: HOWO 8*4 6*4			Remarks: HOWO 8*4 6*4		
KD1401			KD1402		
	Part No. 199112520704 CH part name 老式后钢板中心螺栓 EN part name Rear spring plate bolt RU part name Болт центральный старого образца Size:mm 280.300.320.340.360.380.400 Weight:kg 0.53 NO. NO.70-59			Part No. WG9725520283+013 CH part name 后钢板中心螺栓 EN part name Rear spring plate bolt RU part name Болт центральный старого образца Size:mm 320.340.360.380.400 Weight:kg 0.53 NO. NO.70-59	
Remarks: HOWO 8*4 6*4			Remarks: HOWO 8*4 6*4		
KD1403			KD1404		
	Part No. 199014520292 CH part name 推力杆左支架 EN part name Bracket left RU part name левый кронштейн Size:mm Weight:kg 7.55 NO. NO.70-61			Part No. 199014520293 CH part name 推力杆右支架 EN part name Bracket right RU part name правый кронштейн Size:mm Weight:kg 7.55 NO. NO.70-61a	
Remarks: HOWO 8*4 6*4			Remarks: HOWO 8*4 6*4		
KD1405			KD1406		

Email: ventas@sdpartsdelivery.com

Email: ventas@sdpartsdelivery.com



Website: <http://www.sdpartsdelivery.com>

	Part No.	AZ9725520016		Part No.	AZ9725520017
	CH part name	推力杆左支架		CH part name	推力杆右前支架
	EN part name	Bracket left		EN part name	Bracket right,front
	RU part name	левый кронштейн		RU part name	левый кронштейн
	Size:mm			Size:mm	
	Weight:kg	7.55		Weight:kg	7.55
	NO.	NO.70-61		NO.	NO.70-61a
Remarks: HOWO 8*4 6*4 AZ9725520018			Remarks: HOWO 8*4 6*4 AZ9725520019		
4×2,6×4 STABILIZER,SHOCK ABSORBER FRONT		NO.71 8*4	KD1407		
				Part No.	199014520256
				CH part name	定位销
				EN part name	Dowel pin
				RU part name	Поиск значков
				Size:mm	
				Weight:kg	0.02
				NO.	NO.70-62
			Remarks: HOWO 8*4 6*4		
			KD1408		
				Part No.	AZ9719680003
				CH part name	前稳定杆总成
				EN part name	Front stabilizer shaft assy.
				RU part name	Стабилизатор поперечной устойчивости передней подвески
				Size:mm	1000*550*80
				Weight:kg	20.05
				NO.	NO.71-1
			Remarks: HOWO 8*4 6*4		
KD1409			KD1410		



Email: ventas@sdpartsdelivery.com

Email: ventas@sdpartsdelivery.com

Website: <http://www.sdpartsdelivery.com>

	Part No.	1880 680024		Part No.	WG880 680027
	CH part name	固定夹块		CH part name	稳定杆固定垫板
	EN part name	Fixture plate		EN part name	Cushion plate
	RU part name	Клепление стабилизатора		RU part name	Проставка
	Size:mm	94*64*46		Size:mm	100*50*10
	Weight:kg	0.69		Weight:kg	0.3
	NO.	NO.71-2		NO.	NO.71-3
Remarks: HOWO 8*4 6*4			Remarks: HOWO 8*4 6*4		

KD1411			KD1412		
	Part No.	199100680068		Part No.	WG9100680055
	CH part name	前稳定杆橡胶轴承		CH part name	吊板总成
	EN part name	Rubber bearing		EN part name	Hanger plate assy.
	RU part name	Резиновый подшипник стабилизатора		RU part name	Серьга в сборе
	Size:mm	69*69*65		Size:mm	350*80*50
	Weight:kg	0.21		Weight:kg	1.9
	NO.	NO.71-4		NO.	NO.71-4
Remarks: HOWO 8*4 6*4			Remarks: HOWO 8*4 6*4		

KD1413			KD1414		
	Part No.	AZ9719680013		Part No.	199100680065
	CH part name	稳定杆支架总成		CH part name	连接叉及座
	EN part name	Bracket assembly.		EN part name	Bracket
	RU part name	кронштейн в сборе		RU part name	Кронштейн

Email: ventas@sdpartsdelivery.com

Email: ventas@sdpartsdelivery.com

Website: <http://www.sdpartsdelivery.com>



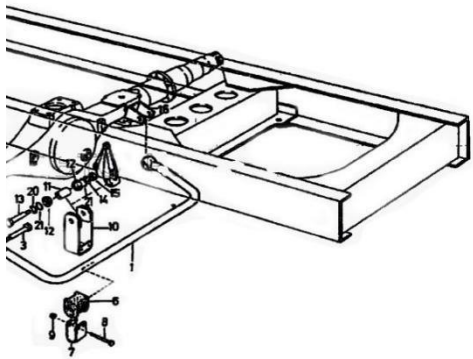


	Size:mm		Size:mm	270*70*45	
	Weight:kg	0.55	Weight:kg	3.44	
	NO.	NO.71-19	NO.	NO.71-23-26	
Remarks: HOWO 8*4 6*4			Remarks: HOWO 8*4 6*4 199012680025		
KD1415			KD1416		
	Part No.	WG9719680008		Part No.	WG9731680005
	CH part name	减振器支架总成		CH part name	减震器上支架总成
	EN part name	Shock absorber bracket C		EN part name	Shock absorber bracket C
	RU part name	кронштейн в сборе		RU part name	кронштейн в сборе
	Size:mm			Size:mm	
	Weight:kg	0.85		Weight:kg	0.45
	NO.	NO.71-31		NO.	NO.71-31
Remarks: HOWO 6*4 For long,high-roof cab			Remarks: HOWO 8*4		
KD1417			KD1418		
	Part No.	WG9114680004		Part No.	WG9731680006
	CH part name	前桥减振器		CH part name	减震器上支架总成
	EN part name	Shock absorber		EN part name	Shock absorber bracket C
	RU part name	Амортизатор		RU part name	кронштейн в сборе
	Size:mm	520*75		Size:mm	
	Weight:kg	4.67		Weight:kg	0.45
	NO.	NO.71-38		NO.	NO.71-31a

Email: ventas@sdpartsdelivery.com

Email: ventas@sdpartsdelivery.com

Website: <http://www.sdpartsdelivery.com>

Remarks: HOWO 8*4 WG9725680014	Remarks: HOWO 8*4
--------------------------------	-------------------

KD1419		KD1420						
	Part No.	WG9100680001						
	CH part name	前桥减振器						
	EN part name	Shock absorber						
	RU part name	Амортизатор						
	Size:mm	480*65						
	Weight:kg	3.67						
	NO.	NO.71-38a						
Part No.		AZ9719680006	Part No.		AZ9719680006			
CH part name		后稳定杆总成	CH part name		后稳定杆总成			
EN part name		Rear stabilizer shaft assy.	EN part name		Rear stabilizer shaft assy.			
RU part name		Стабилизатор задний в сборе	RU part name		Стабилизатор задний в сборе			
Size:mm		1050*380*9	Size:mm		1050*380*9			
Weight:kg		20.05	Weight:kg		20.05			
NO.		NO.72-1	NO.		NO.72-1			
Remarks: HOWO 6*4 8*4			Remarks: HOWO 6*4 8*4 4*2					
4x2 STABILIZER REAR		NO.72						
			KD1421		KD1421			
				Part No.	1780680035	Part No.		1780680035
				CH part name	后稳定杆衬套	CH part name		后稳定杆衬套
				EN part name	Rear stabilizer shaft bush	EN part name		Rear stabilizer shaft bush
				RU part name	Втулка стабилизатора заднего	RU part name		Втулка стабилизатора заднего
				Size:mm	70*40*40	Size:mm		70*40*40
				Weight:kg	0.15	Weight:kg		0.15
NO.	NO.72-2	NO.		NO.72-2				
Remarks: HOWO 6*4 8*4 4*2			Remarks: HOWO 6*4 8*4 4*2					
KD1422		KD1422		KD1422				
	Part No.	WG80 680029	Part No.		WG80 680029			
	CH part name	稳定杆螺栓	CH part name		稳定杆螺栓			
	EN part name	Stabilizer bar bolt	EN part name		Stabilizer bar bolt			
	RU part name	стабилизирующий стержень болта	RU part name		стабилизирующий стержень болта			
	Size:mm		Size:mm					
	Weight:kg	0.45	Weight:kg		0.45			


Email: ventas@sdpartsdelivery.com

Email: ventas@sdpartsdelivery.com

Website: <http://www.sdpartsdelivery.com>

			NO.	NO.72-3-13	
		Remarks: HOWO 6*4 8*4 4*2			
KD1423		KD1424			
	Part No.	1780 680030		Part No.	199100680067
	CH part name	垫圈		CH part name	稳定杆橡胶轴承
	EN part name	Washer		EN part name	Rubber bearing
	RU part name	шайба		RU part name	Резиновый подшипник стабилизатора
	Size:mm			Size:mm	90*77.5*74
	Weight:kg	0.01		Weight:kg	0.3
	NO.	NO.72-4-14		NO.	NO.72-6
Remarks: HOWO 6*4 8*4 4*2		Remarks: HOWO 6*4 8*4 4*2			

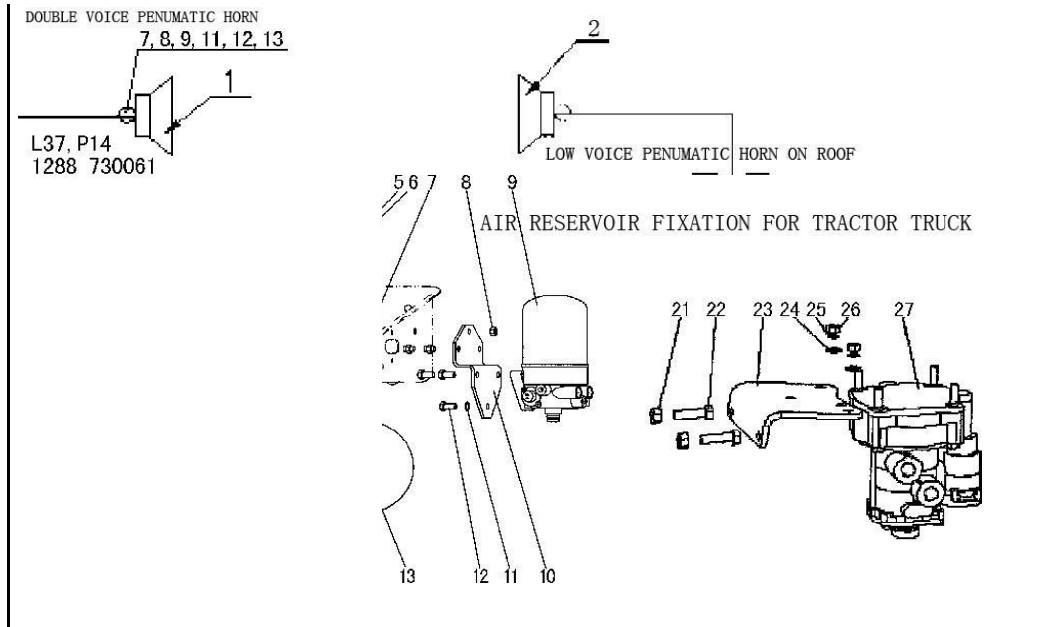
KD1425		KD1426			
	Part No.	WG9719680011		Part No.	WG780 680032
	CH part name	平衡夹总成		CH part name	轴承夹
	EN part name	Connecting clip		EN part name	Bearing clip
	RU part name	баланс зажим		RU part name	подшипник зажим
	Size:mm			Size:mm	
	Weight:kg	0.43		Weight:kg	0.12
	NO.	NO.72-10		NO.	NO.72-7
Remarks: HOWO 6*4 8*4 4*2		Remarks: HOWO 6*4 8*4 4*2			

NO.73		KD1427		
			Part No.	199100680066
			CH part name	橡胶轴承
			EN part name	Bearing
			RU part name	резиновый подшипник

Email: ventas@sdpartsdelivery.com

Email: ventas@sdpartsdelivery.com

Website: <http://www.sdpartsdelivery.com>



KD1429		
	Part No.	WG9716270003
	CH part name	双音气喇叭总成
	EN part name	Double-voice horn
	RU part name	двойной тон горн Ассамблеи
	Size:mm	380*220*100
	Weight:kg	1.1
	NO.	NO.73-1
Remarks: HOWO 6*4 8*4 4*2		

	Size:mm	
	Weight:kg	0.032
	NO.	NO.72-12
Remarks: HOWO 6*4 8*4 4*2		
KD1428		
	Part No.	199100680037
	CH part name	套筒
	EN part name	Bush
	RU part name	рукав
	Size:mm	
	Weight:kg	0.3
	NO.	NO.72-11
Remarks: HOWO 6*4 8*4 4*2		


KD1431		
	Part No.	WG9000360115
	CH part name	放水阀

KD1432		
	Part No.	WG9000360366
	CH part name	四回路保护阀

Email: ventas@sdpartsdelivery.com


Email: ventas@sdpartsdelivery.com

Website: <http://www.sdpartsdelivery.com>

	EN part name	Drain valve
	RU part name	клапан
	Size:mm	30*30
	Weight:kg	0.05
	NO.	NO.73-16


Remarks: HOWO 6*4 8*4 4*2 WG9000361402


KD1433

	Part No.	WG9100368471
	CH part name	空气干燥器
	EN part name	Air dryer
	RU part name	Осушитель воздуха в сборе
	Size:mm	250*180*150
	Weight:kg	3.5
	NO.	NO.73-9

Remarks: HOWO 6*4 8*4 4*2


KD1435

	Part No.	SAD-3588201
	CH part name	干燥罐
	EN part name	Air dryer tank
	RU part name	Фильтр влагоотделителя
	Size:mm	160*139

	EN part name	4-Cir.protection valve
	RU part name	Предохранительный клапан 4 цепи
	Size:mm	105*105*107
	Weight:kg	0.74
	NO.	NO.73-1


Remarks: HOWO 6*4 8*4 4*2

KD1434

	Part No.	AZ9719360013
	CH part name	四回路保护阀支架
	EN part name	Bracket for protection valve
	RU part name	Four loop protection valve bracket
	Size:mm	
	Weight:kg	0.26
	NO.	NO.73-2

Remarks: HOWO 6*4 8*4 4*2



KD1436



	Part No.	WG9719360014
	CH part name	空气干燥器支架
	EN part name	Bracket for air dryer
	RU part name	Air dryer support
	Size:mm	

Email: ventas@sdpartsdelivery.com

Email: ventas@sdpartsdelivery.com

Website: <http://www.sdpartsdelivery.com>

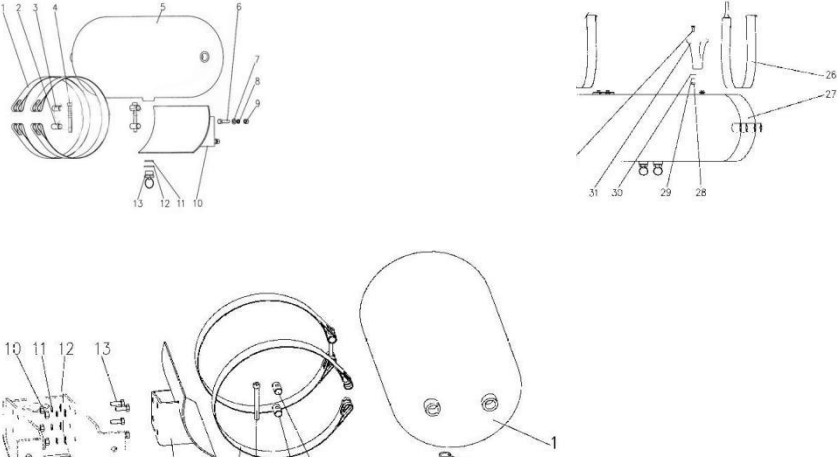
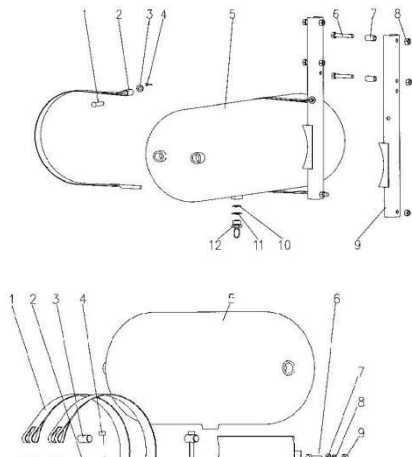



		Weight:kg	2.05			Weight:kg	0.58
		NO.	NO.73-9			NO.	NO.73-10
Remarks: HOWO 6*4 8*4 4*2				Remarks: HOWO 6*4 8*4 4*2			
KD1437				KD1438			
	Part No.	WG9719360004			Part No.	WG9000360180	
	CH part name	储气筒总成 (带支架 5L+5L)			CH part name	挂车控制阀	
	EN part name	Air reservoir			EN part name	Trailer control valve	
	RU part name	воздушный резервуар 5L+5L			RU part name	Клапан контроля	
	Size:mm				Size:mm	162*168*139	
	Weight:kg	2.1			Weight:kg	1.97	
	NO.	NO.73-13			NO.	NO.73-27	
Remarks: HOWO 6*4 8*4				Remarks: HOWO 6*4 8*4 4*2			

KD1439				KD1440			
	Part No.	WG9003550087			Part No.	WG09190017	
	CH part name	贮气筒 (20 升)			CH part name	贮气筒紧固带销总成	
	EN part name	Air reser voir 20L			EN part name	Tank strap pin assembly	
	RU part name	бак для хранения			RU part name	натяжение лямки пин Ассамблеи	
	Size:mm				Size:mm		
	Weight:kg	2.3			Weight:kg	0.2	

Email: ventas@sdpartsdelivery.com

Email: ventas@sdpartsdelivery.com

Website: <http://www.sdpartsdelivery.com>

NO.	NO.74-5	NO.	NO.74														
Remarks: HOWO 6*4 8*4 4*2		Remarks: HOWO 6*4 8*4 4*2															
Gasholder		NO.74															
			<div style="text-align: center;">KD1441</div>  <table border="1" data-bbox="1827 379 2195 847"> <tr> <td data-bbox="1827 379 1917 438">Part No.</td> <td data-bbox="1917 379 2195 438">WG99112270012</td> </tr> <tr> <td data-bbox="1827 438 1917 523">CH part name</td> <td data-bbox="1917 438 2195 523">紧固带总成 (20L)</td> </tr> <tr> <td data-bbox="1827 523 1917 592">EN part name</td> <td data-bbox="1917 523 2195 592">Tension strap 20L</td> </tr> <tr> <td data-bbox="1827 592 1917 660">RU part name</td> <td data-bbox="1917 592 2195 660">крепёжный ремень Ассамблеи</td> </tr> <tr> <td data-bbox="1827 660 1917 729">Size:mm</td> <td data-bbox="1917 660 2195 729"></td> </tr> <tr> <td data-bbox="1827 729 1917 798">Weight:kg</td> <td data-bbox="1917 729 2195 798">0.1</td> </tr> <tr> <td data-bbox="1827 798 1917 847">NO.</td> <td data-bbox="1917 798 2195 847">NO.74-8</td> </tr> </table>	Part No.	WG99112270012	CH part name	紧固带总成 (20L)	EN part name	Tension strap 20L	RU part name	крепёжный ремень Ассамблеи	Size:mm		Weight:kg	0.1	NO.	NO.74-8
Part No.	WG99112270012																
CH part name	紧固带总成 (20L)																
EN part name	Tension strap 20L																
RU part name	крепёжный ремень Ассамблеи																
Size:mm																	
Weight:kg	0.1																
NO.	NO.74-8																
Remarks: HOWO 6*4 8*4 4*2		Remarks: HOWO 6*4 8*4 4*2															
WG9719360024		WG9719360024															
		<div style="text-align: center;">KD1442</div> 	<table border="1" data-bbox="1827 981 2195 1430"> <tr> <td data-bbox="1827 981 1917 1040">Part No.</td> <td data-bbox="1917 981 2195 1040">WG9003550094</td> </tr> <tr> <td data-bbox="1827 1040 1917 1125">CH part name</td> <td data-bbox="1917 1040 2195 1125">贮气筒 (30升)</td> </tr> <tr> <td data-bbox="1827 1125 1917 1193">EN part name</td> <td data-bbox="1917 1125 2195 1193">30L air reservoir</td> </tr> <tr> <td data-bbox="1827 1193 1917 1262">RU part name</td> <td data-bbox="1917 1193 2195 1262">бак для хранения</td> </tr> <tr> <td data-bbox="1827 1262 1917 1331">Size:mm</td> <td data-bbox="1917 1262 2195 1331"></td> </tr> <tr> <td data-bbox="1827 1331 1917 1399">Weight:kg</td> <td data-bbox="1917 1331 2195 1399">9.8</td> </tr> <tr> <td data-bbox="1827 1399 1917 1430">NO.</td> <td data-bbox="1917 1399 2195 1430">NO.74-27</td> </tr> </table>	Part No.	WG9003550094	CH part name	贮气筒 (30升)	EN part name	30L air reservoir	RU part name	бак для хранения	Size:mm		Weight:kg	9.8	NO.	NO.74-27
Part No.	WG9003550094																
CH part name	贮气筒 (30升)																
EN part name	30L air reservoir																
RU part name	бак для хранения																
Size:mm																	
Weight:kg	9.8																
NO.	NO.74-27																

Email: ventas@sdpartsdelivery.com

Email: ventas@sdpartsdelivery.com

Website: <http://www.sdpartsdelivery.com>

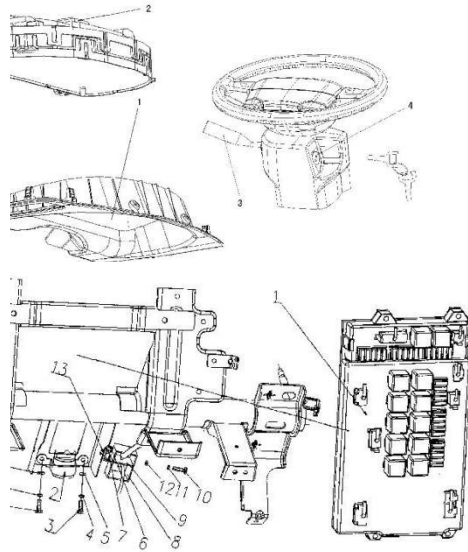
			Remarks: HOWO 6*4 8*4 4*2		
KD1443			KD1444		
	Part No.	WG9014362117		Part No.	AZ9718360005
	CH part name	贮气筒 (Φ275/30L)		CH part name	贮气筒托架总成
	EN part name	30L air reservoir		EN part name	air reservoir (Φ275/30L)
	RU part name	бак для хранения		RU part name	кронштейн в сборе
	Size:mm			Size:mm	
	Weight:kg	8.1		Weight:kg	1.02
	NO.	NO.74-1		NO.	NO.74-9
Remarks: HOWO 6*4 8*4 4*2 WG9000360705			Remarks: HOWO 6*4 8*4 4*2		

KD1445			KD1446		
	Part No.	WG9003550098		Part No.	AZ9118360004
	CH part name	贮气筒 (40L)		CH part name	支架总成
	EN part name	40Lair reservoir		EN part name	Bracket
	RU part name	кронштейн в сборе		RU part name	кронштейн в сборе
	Size:mm			Size:mm	
	Weight:kg	11.8		Weight:kg	0.26
	NO.	NO.74-5		NO.	NO.74-9
Remarks: HOWO 6*4 8*4			Remarks: HOWO 6*4 8*4		
CAN MAIN CIRCUIT ELECTRICAL		NO.75 CONTROL BLOCK RIGHT,RELAY,FUSE	KD1447		
			Part No.	WG9719580015	
			CH part name	组合仪表板	

Email: ventas@sdpartsdelivery.com

Email: ventas@sdpartsdelivery.com

Website: <http://www.sdpartsdelivery.com>



EN part name	Combination instrument panel
RU part name	Щиток приборов
Size:mm	380*180*60
Weight:kg	1.3
NO.	NO.75-1

Remarks: HOWO English Edition

KD1448



Part No.	WG9719580035
CH part name	组合仪表盘
EN part name	Combination instrument panel
RU part name	Щиток приборов
Size:mm	380*180*60
Weight:kg	1.3
NO.	NO.75-1

Remarks: HOWO

KD1449



Part No.	AZ9719580001
CH part name	左控制模块
EN part name	Left control block
RU part name	Блок приборов левый
Size:mm	127*115*35
Weight:kg	0.23
NO.	NO.75-2

Remarks: HOWO WG9716580011

KD1450



Part No.	WG9716580025
CH part name	组合仪表盘
EN part name	Combination instrument panel
RU part name	Щиток приборов
Size:mm	380*180*60
Weight:kg	1.3
NO.	NO.75-1

Remarks: HOWO 09款 CMIC

KD1451

Part No.	AZ9130583019
CH part name	钥匙起动开关

KD1452

Part No.	WG9130583017
CH part name	组合开关

Email: ventas@sdpartsdelivery.com

Email: ventas@sdpartsdelivery.com



Website: <http://www.sdpartsdelivery.com>



	EN part name	Start switch by key		EN part name	Combination switch
	RU part name	Замок зажигания		RU part name	Комбинированный переключатель света
	Size:mm	650*140*50		Size:mm	600*30*30
	Weight:kg	0.86		Weight:kg	0.54
	NO.	NO.75-4		NO.	NO.75-3
Remarks: HOWO			Remarks: HOWO		
KD1453			KD1454		
	Part No.	WG9100583056		Part No.	AZ9719580002
	CH part name	车速传感器		CH part name	右控制模块总成
	EN part name	Speeder meter sensor		EN part name	07 Model right control block
	RU part name	Датчик указателя скорости		RU part name	Блок приборов правый
	Size:mm	68*36*36		Size:mm	375*188*55
	Weight:kg	0.1		Weight:kg	1.7
	NO.	NO.75-10		NO.	NO.75-1
Remarks: HOWO			Remarks: HOWO 07 款		
KD1455			KD1456		
	Part No.	WG9100583058		Part No.	WG9719581023
	CH part name	车速传感器		CH part name	右控制模块总成
	EN part name	Speeder meter sensor		EN part name	08 Model right control block
	RU part name	Датчик указателя скорости		RU part name	Блок приборов правый
	Size:mm	68*36*36		Size:mm	375*188*55
	Weight:kg	0.1		Weight:kg	1.7
	NO.	NO.75-10		NO.	NO.75-1
Remarks: HOWO			Remarks: HOWO 08 款		
KD1457			KD1458		
	Part No.	AZ9100583004-2		Part No.	WG9716580012
	CH part name	10A 保险丝		CH part name	右控制模块总成
	EN part name	Fuse 10A		EN part name	08 Model right control block



Email: ventas@sdpartsdelivery.com

Email: ventas@sdpartsdelivery.com

Website: <http://www.sdpartsdelivery.com>

	RU part name	предохранитель , 10a		RU part name	Блок приборов правый
	Size:mm			Size:mm	375*188*55
	Weight:kg	0.002		Weight:kg	1.7
	NO.	NO.75-1		NO.	NO.75-1
Remarks: HOWO			Remarks: HOWO WG9716580013 WG971658 014		

KD1459			KD1460		
	Part No.	AZ9100583004-3		Part No.	AZ9100583004-4
	CH part name	15A 保险丝		CH part name	20A 保险丝
	EN part name	Fuse 15A		EN part name	Fuse 20A
	RU part name	предохранитель , 15a		RU part name	предохранитель , 20a
	Size:mm			Size:mm	
	Weight:kg	0.0112		Weight:kg	0.0112
	NO.	NO.75-1		NO.	NO.75-1
Remarks: HOWO			Remarks: HOWO		

KD1461			KD1462		
	Part No.	AZ9100583004-5		Part No.	AZ9100583004-6
	CH part name	25A 保险丝		CH part name	40A 保险丝
	EN part name	Fuse 25A		EN part name	Fuse 40A
	RU part name	предохранитель , 25a		RU part name	предохранитель , 40a
	Size:mm			Size:mm	
	Weight:kg	0.0112		Weight:kg	0.0112

Email: ventas@sdpartsdelivery.com

Email: ventas@sdpartsdelivery.com



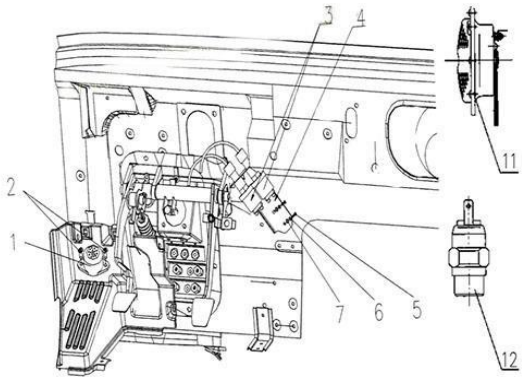
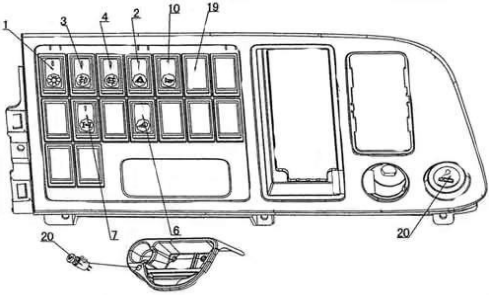


Website: <http://www.sdpartsdelivery.com>

	NO.	NO.75-1		NO.	NO.75-1
Remarks: HOWO			Remarks: HOWO		
KD1463			KD1464		
	Part No.	WG9725584001		Part No.	WG9725584002
	CH part name	40A 常开式继电器		CH part name	20A 常开式继电器
	EN part name	Relay		EN part name	Relay
	RU part name	Реле		RU part name	Реле
	Size:mm	27*36*27		Size:mm	27*36*27
	Weight:kg	0.01		Weight:kg	0.01
	NO.	NO.75-J2		NO.	NO.75-J1
Remarks: HOWO Relay for air dryer and electrothermal seat			Remarks: HOWO J3 J4 J5 J6 J7 J8 J9 J10 J11		
KD1465			KD1466		
	Part No.	WG9100583049		Part No.	WG9160580501
	CH part name	起动继电器		CH part name	电控单元
	EN part name	Start relay (80A)		EN part name	ABS(4S/4M)electrical control unit(WABCO)
	RU part name	Реле стартера (80A)		RU part name	электронный блок управления
	Size:mm	180*35*35		Size:mm	
	Weight:kg	0.011		Weight:kg	0.31
	NO.	NO.75-2		NO.	NO.75-14
Remarks: HOWO			Remarks: HOWO ABS(4S/4M) (WABCO)		

Email: ventas@sdpartsdelivery.com

Email: ventas@sdpartsdelivery.com

Website: <http://www.sdpartsdelivery.com>

KD1467			KD1468		
	Part No. CH part name EN part name RU part name Size:mm Weight:kg NO.	WG9718580001 电控单元 ABS(4S/4M)electrical control unit(KNORR) электронный блок управления 0.5 NO.75-15		Part No. CH part name EN part name RU part name Size:mm Weight:kg NO.	WG9719582001 灯光开关 Light switch Выключатель лампы 58*49*25 0.026 NO.76-1
Remarks: HOWO ABS(4S/4M) (K IORR)			Remarks: HOWO		
SWITCHS, CIGAR LIGHTER		NO.76			
					
Remarks: HOWO			KD1469		
Remarks: HOWO				Part No. CH part name EN part name RU part name Size:mm Weight:kg NO.	WG9719582004 危急报警开关 Emer.blinker system switch выключатель сигнализации 58*49*25 0.027 NO.76-2
Remarks: HOWO			KD1470		
Remarks: HOWO				Part No. CH part name EN part name RU part name Size:mm Weight:kg	WG9719582002 前雾灯开关 Front fog lamp switch противотуманный огонь переключатель 58*49*25 0.026

Email: ventas@sdpartsdelivery.com

Email: ventas@sdpartsdelivery.com

Website: <http://www.sdpartsdelivery.com>

			NO.	NO.76-3	
		Remarks: HOWO			
KD1471			KD1472		
	Part No.	WG9719582003		Part No.	WG9719582007
	CH part name	后雾灯开关		CH part name	工作灯开关
	EN part name	Rear fog lamp switch		EN part name	Working lamp switch
	RU part name	противотуманный огонь переключатель		RU part name	рабочая лампа переключателя
	Size:mm	58*49*25		Size:mm	58*49*25
	Weight:kg	0.026		Weight:kg	0.026
	NO.	NO.76-4		NO.	NO.76-5
Remarks: HOWO			Remarks: HOWO		

KD1473			KD1474		
	Part No.	WG9719582012		Part No.	WG9719582011
	CH part name	轴间差速锁开关		CH part name	轮间差速锁开关
	EN part name	Axle diff.lock switch		EN part name	Wheel diff.lock switch
	RU part name	Включатель межколесного дифференциала		RU part name	переход к дифференцированному замок
	Size:mm	58*49*25		Size:mm	58*49*25
	Weight:kg	0.027		Weight:kg	0.027
	NO.	NO.76-7		NO.	NO.76-6
Remarks: HOWO			Remarks: HOWO		
KD1475			KD1476		
	Part No.	WG9719582013		Part No.	WG9719582010
	CH part name	全轮驱动开关		CH part name	取力器开关
	EN part name	All-wheel-drive switch		EN part name	Power take off switch
	RU part name	привод на все колеса переключатель		RU part name	PTO переключатель

Email: ventas@sdpartsdelivery.com

Email: ventas@sdpartsdelivery.com

Website: <http://www.sdpartsdelivery.com>

	<table border="1"> <tr> <td>Size:mm</td> <td>58*49*25</td> </tr> <tr> <td>Weight:kg</td> <td>0.027</td> </tr> <tr> <td>NO.</td> <td>NO.76-8</td> </tr> </table>	Size:mm	58*49*25	Weight:kg	0.027	NO.	NO.76-8		<table border="1"> <tr> <td>Size:mm</td> <td>58*49*25</td> </tr> <tr> <td>Weight:kg</td> <td>0.027</td> </tr> <tr> <td>NO.</td> <td>NO.76-9</td> </tr> </table>	Size:mm	58*49*25	Weight:kg	0.027	NO.	NO.76-9																
Size:mm	58*49*25																														
Weight:kg	0.027																														
NO.	NO.76-8																														
Size:mm	58*49*25																														
Weight:kg	0.027																														
NO.	NO.76-9																														
Remarks: HOWO		Remarks: HOWO																													
KD1477		KD1478																													
	<table border="1"> <tr> <td>Part No.</td> <td>WG9719582005</td> </tr> <tr> <td>CH part name</td> <td>喇叭开关</td> </tr> <tr> <td>EN part name</td> <td>Horn switch</td> </tr> <tr> <td>RU part name</td> <td>рог переключатель</td> </tr> <tr> <td>Size:mm</td> <td>58*49*25</td> </tr> <tr> <td>Weight:kg</td> <td>0.027</td> </tr> <tr> <td>NO.</td> <td>NO.76-10</td> </tr> </table>	Part No.	WG9719582005	CH part name	喇叭开关	EN part name	Horn switch	RU part name	рог переключатель	Size:mm	58*49*25	Weight:kg	0.027	NO.	NO.76-10		<table border="1"> <tr> <td>Part No.</td> <td>WG9719582009</td> </tr> <tr> <td>CH part name</td> <td>取力器空档开关</td> </tr> <tr> <td>EN part name</td> <td>PTO neutral switch</td> </tr> <tr> <td>RU part name</td> <td>PTO нейтральной переключатель</td> </tr> <tr> <td>Size:mm</td> <td>58*49*25</td> </tr> <tr> <td>Weight:kg</td> <td>0.027</td> </tr> <tr> <td>NO.</td> <td>NO.76-13</td> </tr> </table>	Part No.	WG9719582009	CH part name	取力器空档开关	EN part name	PTO neutral switch	RU part name	PTO нейтральной переключатель	Size:mm	58*49*25	Weight:kg	0.027	NO.	NO.76-13
Part No.	WG9719582005																														
CH part name	喇叭开关																														
EN part name	Horn switch																														
RU part name	рог переключатель																														
Size:mm	58*49*25																														
Weight:kg	0.027																														
NO.	NO.76-10																														
Part No.	WG9719582009																														
CH part name	取力器空档开关																														
EN part name	PTO neutral switch																														
RU part name	PTO нейтральной переключатель																														
Size:mm	58*49*25																														
Weight:kg	0.027																														
NO.	NO.76-13																														
Remarks: HOWO		Remarks: HOWO																													
KD1479		KD1480																													
	<table border="1"> <tr> <td>Part No.</td> <td>WG9719582008</td> </tr> <tr> <td>CH part name</td> <td>冷起动开关</td> </tr> <tr> <td>EN part name</td> <td>Cool start switch</td> </tr> <tr> <td>RU part name</td> <td>холодный запуск переключатель</td> </tr> <tr> <td>Size:mm</td> <td>58*49*25</td> </tr> <tr> <td>Weight:kg</td> <td>0.027</td> </tr> <tr> <td>NO.</td> <td>NO.76-14</td> </tr> </table>	Part No.	WG9719582008	CH part name	冷起动开关	EN part name	Cool start switch	RU part name	холодный запуск переключатель	Size:mm	58*49*25	Weight:kg	0.027	NO.	NO.76-14		<table border="1"> <tr> <td>Part No.</td> <td>WG9719582014</td> </tr> <tr> <td>CH part name</td> <td>ABS 检测开关</td> </tr> <tr> <td>EN part name</td> <td>ABS check switch</td> </tr> <tr> <td>RU part name</td> <td>абс обнаружение переключения</td> </tr> <tr> <td>Size:mm</td> <td>58*49*25</td> </tr> <tr> <td>Weight:kg</td> <td>0.027</td> </tr> <tr> <td>NO.</td> <td>NO.76-15</td> </tr> </table>	Part No.	WG9719582014	CH part name	ABS 检测开关	EN part name	ABS check switch	RU part name	абс обнаружение переключения	Size:mm	58*49*25	Weight:kg	0.027	NO.	NO.76-15
Part No.	WG9719582008																														
CH part name	冷起动开关																														
EN part name	Cool start switch																														
RU part name	холодный запуск переключатель																														
Size:mm	58*49*25																														
Weight:kg	0.027																														
NO.	NO.76-14																														
Part No.	WG9719582014																														
CH part name	ABS 检测开关																														
EN part name	ABS check switch																														
RU part name	абс обнаружение переключения																														
Size:mm	58*49*25																														
Weight:kg	0.027																														
NO.	NO.76-15																														
Remarks: HOWO		Remarks: HOWO																													
KD1481		KD1482																													
	<table border="1"> <tr> <td>Part No.</td> <td>WG9100580141</td> </tr> <tr> <td>CH part name</td> <td>24V 点烟器</td> </tr> </table>	Part No.	WG9100580141	CH part name	24V 点烟器		<table border="1"> <tr> <td>Part No.</td> <td>WG9719710001</td> </tr> <tr> <td>CH part name</td> <td>排气制动开关</td> </tr> </table>	Part No.	WG9719710001	CH part name	排气制动开关																				
Part No.	WG9100580141																														
CH part name	24V 点烟器																														
Part No.	WG9719710001																														
CH part name	排气制动开关																														

Email: ventas@sdpartsdelivery.com

Email: ventas@sdpartsdelivery.com



Website: <http://www.sdpartsdelivery.com>

	EN part name RU part name Size:mm Weight:kg NO.	Cigar lighter зажигалка 0.15 NO.76-20		EN part name RU part name Size:mm Weight:kg NO.	Exhaust brake switch Выключатель горного тормоза 220*30*30 0.08 NO.76-1
Remarks: HOWO			Remarks: HOWO		
KD1483			KD1484		
	Part No. CH part name EN part name RU part name Size:mm Weight:kg NO.	WG9130713001 气压传感器 Air pressure sensor Датчик давления воздуха 78*45 0.1 NO.76-3		Part No. CH part name EN part name RU part name Size:mm Weight:kg NO.	WG9719710002 排气制动开关 (右置) Exhaust brake switch Выключатель горного тормоза 220*30*30 0.08 NO.76-1
Remarks: HOWO			Remarks: HOWO Right set		
KD1485			KD1486		
	Part No. CH part name EN part name RU part name Size:mm Weight:kg NO.	WG9718710001 气喇叭电磁阀 Electromagnetic valve for pneumatic horn горн электромагнитный клапан 0.2 NO.76-9		Part No. CH part name EN part name RU part name Size:mm Weight:kg NO.	WG9100710008 电磁阀 Electromagnetic valve Электромагнитный клапан 109*65*42 0.49 NO.76-10
Remarks: HOWO			Remarks: HOWO		
KD1487			KD1488		
	Part No. CH part name	WG9718710002 电喇叭		Part No. CH part name	179100710008 电磁阀

Email: ventas@sdpartsdelivery.com



Email: ventas@sdpartsdelivery.com

Website: <http://www.sdpartsdelivery.com>

	EN part name	Electro horn		EN part name	Electromagnetic valve
	RU part name	электрический гудок		RU part name	Электромагнитный клапан
	Size:mm			Size:mm	109*65*42
	Weight:kg	0.21		Weight:kg	0.49
	NO.	NO.76-11		NO.	NO.76-10
Remarks: HOWO			Remarks: HOWO		

KD1489			KD1490		
	Part No.	WG9100710004		Part No.	WG9719790007
	CH part name	气压信号灯开关		CH part name	示廓灯
	EN part name	Air pressure signal lamp switch		EN part name	Side lamp
	RU part name	Выкл-ль контрольной лампы давления воздуха		RU part name	контурные огни
	Size:mm	50*24		Size:mm	
	Weight:kg	0.08		Weight:kg	0.1
	NO.	NO.76-12		NO.	NO.77-15

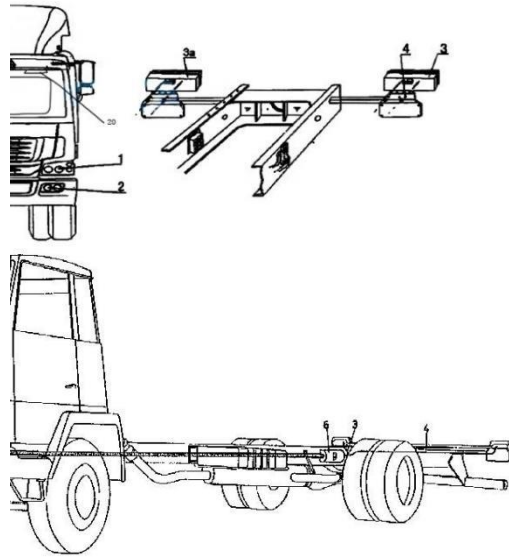
Remarks: HOWO Remarks: HOWO For standard,long cab

Electric appliance, wiring harness, lamp		NO.77	KD1491		
	Part No.	WG9719790005		Part No.	WG9719790005
	CH part name	左前示廓灯		CH part name	左前示廓灯
	EN part name	Left,front side lamp		EN part name	Left,front side lamp
	RU part name	левый фронт контурные огни		RU part name	левый фронт контурные огни
	Size:mm			Size:mm	

Email: ventas@sdpartsdelivery.com

Email: ventas@sdpartsdelivery.com

Website: <http://www.sdpartsdelivery.com>



Weight:kg	0.15
NO.	NO.77-15

Remarks: HOWO High-roof cab WG9719790008(R)

KD1492		
	Part No.	WG9719790006
	CH part name	后示廓灯
	EN part name	Rear side lamp
	RU part name	После контурные огни
	Size:mm	
	Weight:kg	0.11
	NO.	NO.77-16

Remarks: HOWO High-roof cab

KD1493		
	Part No.	WG9719790002
	CH part name	驾驶室内照明灯
	EN part name	Internal light
	RU part name	такси лампа
	Size:mm	
	Weight:kg	0.15
	NO.	NO.77-20

Remarks: HOWO

KD1494		
	Part No.	WG9719790003
	CH part name	室内照明灯
	EN part name	Internal light
	RU part name	такси лампа
	Size:mm	
	Weight:kg	0.15
	NO.	NO.77-20

Remarks: HOWO Standard,long cab

Email: ventas@sdpartsdelivery.com

Email: ventas@sdpartsdelivery.com

Website: <http://www.sdpartsdelivery.com>

KD1495			KD1496		
	Part No.	WG9719790004		Part No.	WG9719790001
	CH part name	阅读灯		CH part name	门灯开关
	EN part name	Reading lamp		EN part name	Door contact
	RU part name	лампы для чтения		RU part name	дверной выключатель
	Size:mm			Size:mm	
	Weight:kg	0.11		Weight:kg	0.01
	NO.	NO.77-20		NO.	NO.77-22
Remarks: HOWO High-roof cab			Remarks: HOWO		
KD1497			KD1498		
	Part No.	AZ9719770001		Part No.	WG1642440052
	CH part name	驾驶室线束		CH part name	驾驶室锁止信号开关
	EN part name	Driver's cab-line		EN part name	Lock signal switch for cab
	RU part name	такси электропроводка		RU part name	переключатель блокировки сигнала
	Size:mm	450*380*255		Size:mm	
	Weight:kg	4.6		Weight:kg	0.01
	NO.	NO.77-1		NO.	NO.77-55
Remarks: HOWO			Remarks: HOWO A7		
KD1499			KD1500		
	Part No.	WG9719720001		Part No.	WG9719720002

Email: ventas@sdpartsdelivery.com

Email: ventas@sdpartsdelivery.com

Website: <http://www.sdpartsdelivery.com>

	CH part name EN part name RU part name Size:mm Weight:kg NO.	左前照灯总成 07 07 Model left head lamp assy. Фара передняя левая в сборе 445*265*245 3.01 NO.77-1		CH part name EN part name RU part name Size:mm Weight:kg NO.	右前照灯总成 07 07 Right head lamp assy. Фара передняя правая в сборе 445*265*245 3.01 NO.77-1a
Remarks: HOWO WG9716720001 (For drive right)			Remarks: HOWO WG9716720002 For drive right)		
KD1501			KD1502		
	Part No. CH part name EN part name RU part name Size:mm Weight:kg NO.	WG9719720001 左前照灯总成 08 08 Model left head lamp assy. Фара передняя левая в сборе 445*265*245 3.01 NO.77-1		Part No. CH part name EN part name RU part name Size:mm Weight:kg NO.	WG9719720002 右前照灯总成 08 08 Right head lamp assy. Фара передняя правая в сборе 445*265*245 3.01 NO.77-1a
Remarks: HOWO			Remarks: HOWO		
KD1503			KD1504		
	Part No. CH part name EN part name RU part name Size:mm	WG9719720005 左前组合灯总成 07 Front left combinatory lamp Фара противотуманная передняя левая 310*130*100		Part No. CH part name EN part name RU part name Size:mm	WG9719720006 右前组合灯总成 07 Front right combinatory lamp Фара противотуманная передняя правая 310*130*100

Email: ventas@sdpartsdelivery.com

Email: ventas@sdpartsdelivery.com

Website: <http://www.sdpartsdelivery.com>



	Weight:kg	0.64		Weight:kg	0.64
	NO.	NO.77-2		NO.	NO.77-2a
Remarks: HOWO			Remarks: HOWO		
KD1505			KD1506		
	Part No.	WG9719720015		Part No.	WG9719720016
	CH part name	08 款左前组合灯		CH part name	08 款右前组合灯
	EN part name	08 Model left front combination lamp		EN part name	08 Model right front combination lamp
	RU part name	Фара противотуманная передняя левая		RU part name	Фара противотуманная передняя левая
	Size:mm	310*150*120		Size:mm	310*150*120
	Weight:kg	0.64		Weight:kg	0.64
	NO.	NO.77-2		NO.	NO.77-2a
Remarks: HOWO			Remarks: HOWO		
KD1507			KD1508		
	Part No.	AZ9719818001		Part No.	AZ9719818002
	CH part name	左后组合灯		CH part name	右后组合灯
	EN part name	Rear left combination lamp		EN part name	Right rear combination lamp
	RU part name	Фонарь задний левый		RU part name	Фонарь задний левый
	Size:mm	520*129*85		Size:mm	520*129*85
	Weight:kg	0.97		Weight:kg	0.97
	NO.	NO.77-3		NO.	NO.77-3a
Remarks: HOWO WG9719810001			Remarks: HOWO WG9719810002		
KD1509			KD1510		
	Part No.	1-34-172-010		Part No.	AZ9719818001+001
	CH part name	工作照明灯		CH part name	组合灯罩
	EN part name	Working lamp		EN part name	Combination lampshade
	RU part name	рабочая лампа		RU part name	сочетание абажур
	Size:mm			Size:mm	520*129*15

Email: ventas@sdpartsdelivery.com

Email: ventas@sdpartsdelivery.com

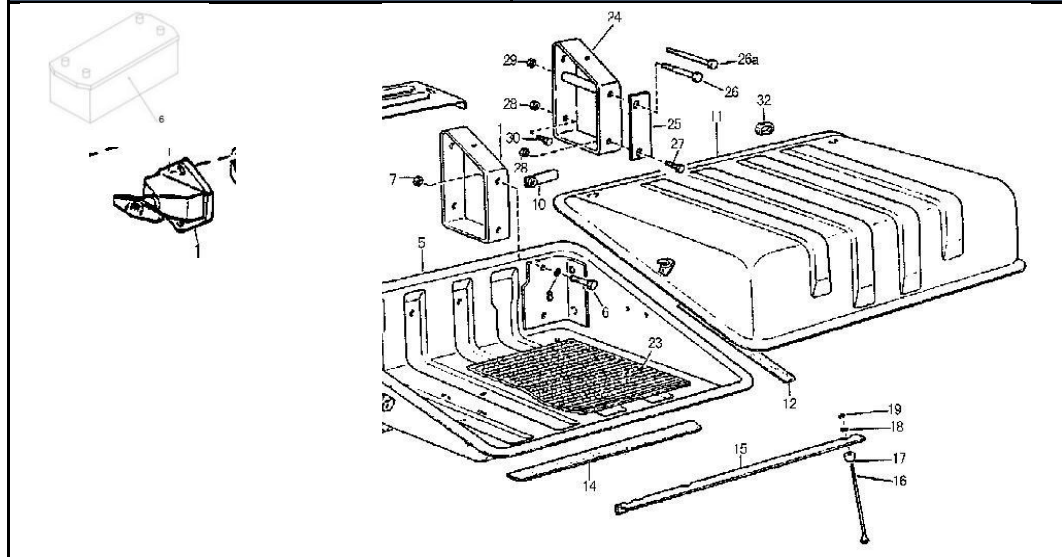
Website: <http://www.sdpartsdelivery.com>


	Weight:kg	0.15		Weight:kg	0.15
	NO.	NO.77-5		NO.	NO.77-3
Remarks: HOWO			Remarks: HOWO		

KD1511			KD1512		
	Part No.	WG9719720001+001		Part No.	WG9100760100
	CH part name	前照灯罩		CH part name	07 款电源总开关
	EN part name	Headlamp shade		EN part name	07 Model battery main switch
	RU part name	переднего освещения абажур		RU part name	Выключатель массы
	Size:mm			Size:mm	147*93*88
	Weight:kg	0.25		Weight:kg	0.57
	NO.	NO.77-1-1a		NO.	NO.78-1


Remarks: HOWO WG9719720001+002

BATTERY, MAIN SWITCH **NO.78**



KD1513					
	Part No.	WG9725764001	Part No.	WG9100760001	
	CH part name	08 款电源总开关	CH part name	蓄电池 180Ah	
	EN part name	08 Model battery main switch	EN part name	Battery	
	RU part name	Выключатель массы	RU part name	аккумулятор	
	Size:mm	147*93*88			
	Weight:kg	0.52			
	NO.	NO.78-1			

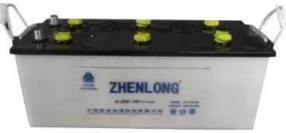
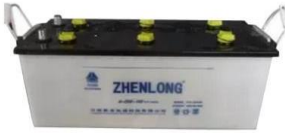
Remarks: HOWO

KD1514					
	Part No.	WG9100760001	Part No.	WG9100760001	
	CH part name	蓄电池 180Ah	CH part name	蓄电池 180Ah	
	EN part name	Battery	EN part name	Battery	
	RU part name	аккумулятор	RU part name	аккумулятор	

Email: ventas@sdpartsdelivery.com

Email: ventas@sdpartsdelivery.com

Website: <http://www.sdpartsdelivery.com>

						Size:mm	540*280*550
						Weight:kg	58
						NO.	NO.78-6
			Remarks: HOWO				
KD1515			KD1516				
	Part No.	WG9100760064		Part No.	WG9100760065		
	CH part name	蓄电池 135Ah		CH part name	蓄电池 165Ah		
	EN part name	Battery		EN part name	Battery		
	RU part name	аккумулятор		RU part name	аккумулятор		
	Size:mm	540*280*550		Size:mm	540*280*550		
	Weight:kg	58		Weight:kg	58		
	NO.	NO.78-6		NO.	NO.78-6		
Remarks: HOWO			Remarks: HOWO				

KD1517			KD1518				
	Part No.	WG9719760004		Part No.	WG9100760002		
	CH part name	蓄电池箱体		CH part name	电瓶箱体		
	EN part name	Battery case bottom		EN part name	Battery cover		
	RU part name	аккумуляторный ящик		RU part name	Крышка аккумулятора		
	Size:mm			Size:mm	640*280*660		
	Weight:kg	18.5		Weight:kg	2.7		
	NO.	NO.78-5		NO.	NO.78-11		
Remarks: HOWO			Remarks: HOWO				
KD1519			KD1520				
	Part No.	WG9100760021		Part No.	199100760008		
	CH part name	拉钩		CH part name	电瓶箱体盖铁		
	EN part name	Hood carrier		EN part name	Battery cover		

Email: ventas@sdpartsdelivery.com

Email: ventas@sdpartsdelivery.com

Website: <http://www.sdpartsdelivery.com>


	RU part name	втягивающее устройство		RU part name	Крышка аккумулятора (железная)
	Size:mm			Size:mm	640*280*660
	Weight:kg	0.01		Weight:kg	4.5
	NO.	NO.78-13		NO.	NO.78-11
Remarks: HOWO			Remarks: HOWO		
KD1521			KD1522		
	Part No.	179200760024		Part No.	AZ9100760143
	CH part name	夹紧支架		CH part name	紧固拉杆
	EN part name	Angle		EN part name	Screwy rod
	RU part name	задействование скобка		RU part name	крепежный стержень
	Size:mm			Size:mm	
	Weight:kg	0.32		Weight:kg	0.2
	NO.	NO.78-15		NO.	NO.78-16
Remarks: HOWO			Remarks: HOWO		
KD1523			KD1524		
	Part No.	AZ9319311710		Part No.	199114760004
	CH part name	传动轴		CH part name	蓄电池箱支架
	EN part name	Transmission shaft		EN part name	Bracket
	RU part name	Карданный вал		RU part name	аккумуляторный ящик скобка
	Size:mm	1710*180*180		Size:mm	
	Weight:kg	65		Weight:kg	1.2
	NO.	NO.79-2		NO.	NO.78-24
Remarks: HOWO AZ9938311769			Remarks: HOWO		

KD1525			KD1526		
	Part No.	AZ9114311441		Part No.	WG9014310125

Email: ventas@sdpartsdelivery.com

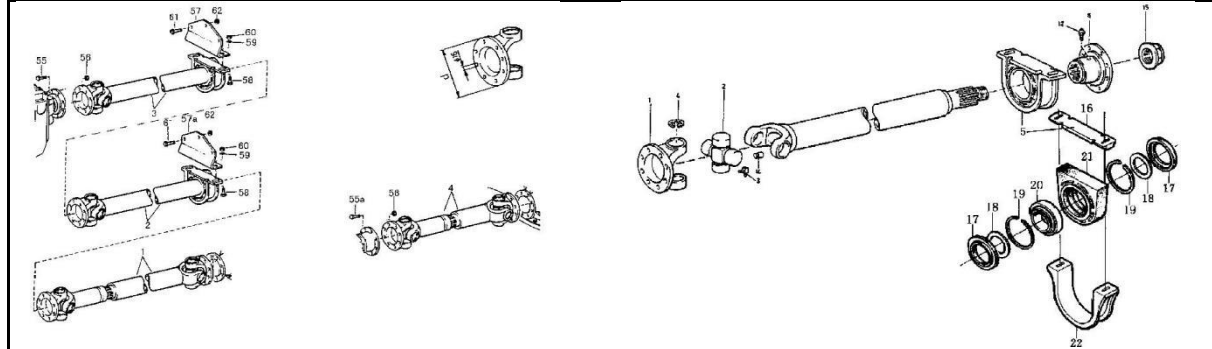
Email: ventas@sdpartsdelivery.com

Website: <http://www.sdpartsdelivery.com>

	CH part name	传动轴
	EN part name	Transmission shaft
	RU part name	Карданный вал
	Size:mm	1450*180*180
	Weight:kg	55
	NO.	NO.79-1

Remarks: HOWO


6×4, 8×4 PROPELLER SHAFTS **NO.79**



	CH part name	中后桥传动轴
	EN part name	Transmission shaft
	RU part name	Карданный вал средне-заднего вала
	Size:mm	670*165*165
	Weight:kg	34
	NO.	NO.79-4

Remarks: HOWO

KD1527

	Part No.	26013314080
	CH part name	万向节总成
	EN part name	Universal joint
	RU part name	Крестовина
	Size:mm	130*130*52
	Weight:kg	3
NO.	NO.79-8	

Remarks: HOWO Φ52

KD1528

	Part No.	19036311080
	CH part name	万向节总成
	EN part name	Universal joint
	RU part name	Крестовина
	Size:mm	140*140*57
	Weight:kg	3
NO.	NO.79-8	

Remarks: HOWO Φ57 WG9319313210



Email: ventas@sdpartsdelivery.com

Email: ventas@sdpartsdelivery.com

Website: <http://www.sdpartsdelivery.com>

KD1529		KD1530			
	Part No.	26013314062		Part No.	AZ9115311060
	CH part name	传动轴连接盘		CH part name	万向节总成
	EN part name	Plain flange		EN part name	Universal joint
	RU part name	Фланец карданного вала		RU part name	Крестовина
	Size:mm	165*165*120		Size:mm	140*140*62
	Weight:kg	3.2		Weight:kg	3
	NO.	NO.79-1		NO.	NO.79-8
Remarks: HOWO Φ52			Remarks: HOWO Φ62 WG9725310010 WG9725310020		

KD1531		KD1532			
	Part No.	19036311062		Part No.	AZ9136311062
	CH part name	传动轴连接盘		CH part name	传动轴连接盘
	EN part name	Plain flange		EN part name	Toothed flange
	RU part name	Фланец карданного вала		RU part name	Фланец карданного вала
	Size:mm	165*165*120		Size:mm	165*165*120
	Weight:kg	3.2		Weight:kg	3.4
	NO.	NO.79-1		NO.	NO.79-1
Remarks: HOWO Φ57			Remarks: HOWO Φ57		

KD1533		KD1534			
	Part No.	AZ9113314062		Part No.	AZ9115311010
	CH part name	传动轴连接盘		CH part name	传动轴连接盘
	EN part name	Toothed flange		EN part name	Toothed flange
	RU part name	Фланец карданного вала		RU part name	Фланец карданного вала
	Size:mm	165*165*120		Size:mm	180*180*120
	Weight:kg	3.4		Weight:kg	3.8
	NO.	NO.79-1		NO.	NO.79-1

Email: ventas@sdpartsdelivery.com

Email: ventas@sdpartsdelivery.com

Website: <http://www.sdpartsdelivery.com>

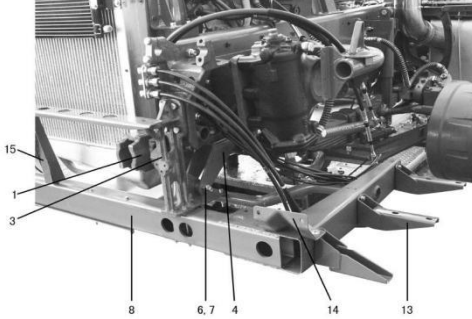
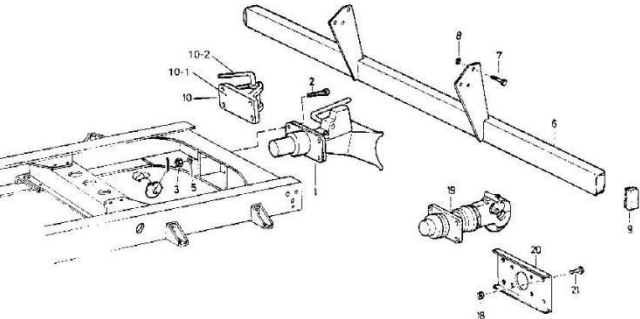




Remarks: HOWO Φ52			Remarks: HOWO Φ62		
KD1535			KD1536		
	Part No.	26013314030-60		Part No.	26013314030-65
	CH part name	中间支撑总成		CH part name	中间支撑总成
	EN part name	Transmission shaft hanger		EN part name	Transmission shaft hanger
	RU part name	Промежуточная опора в сборе		RU part name	Промежуточная опора в сборе
	Size:mm	240*200*60		Size:mm	240*200*65
	Weight:kg	4.59		Weight:kg	4.59
	NO.	NO.79-5		NO.	NO.79-5
Remarks: HOWO Φ60			Remarks: HOWO Φ65		
KD1537			KD1538		
	Part No.	26013314030-70		Part No.	AZ9115314120
	CH part name	中间支撑总成		CH part name	中间支撑总成
	EN part name	Transmission shaft hanger		EN part name	Transmission shaft hanger
	RU part name	Промежуточная опора в сборе		RU part name	Промежуточная опора в сборе
	Size:mm	240*200*70		Size:mm	260*210*72
	Weight:kg	4.59		Weight:kg	3.98
	NO.	NO.79-5		NO.	NO.79-5
Remarks: HOWO Φ70			Remarks: HOWO Φ120		

KD1539			KD1540		
	Part No.	26013314052		Part No.	199000310049
	CH part name	传动轴凸缘螺母		CH part name	传动轴螺丝
	EN part name	Nut		EN part name	Bolt
	RU part name	Гайка		RU part name	Болт
	Size:mm	80*80*30		Size:mm	16*59*20
	Weight:kg	0.3		Weight:kg	0.13
	NO.	NO.79-15		NO.	NO.79-60

Email: ventas@sdpartsdelivery.com

Email: ventas@sdpartsdelivery.com

Website: <http://www.sdpartsdelivery.com>

Remarks: HOWO			Remarks: HOWO WG9000310049																														
BRACKET FOR BUMPER,TOWI IG HOOK		NO.80	BOTTOM PROTECTION, TRAILER COUPLING																														
 																																	
			KD1541																														
			<table border="1"> <tr><td>Part No.</td><td>AZ9725930028</td></tr> <tr><td>CH part name</td><td>前牵引钩座</td></tr> <tr><td>EN part name</td><td>Traction hook seat</td></tr> <tr><td>RU part name</td><td>Буксировочное устройство</td></tr> <tr><td>Size:mm</td><td>325*130*165</td></tr> <tr><td>Weight:kg</td><td>5.3</td></tr> <tr><td>NO.</td><td>NO.80-1</td></tr> </table>			Part No.	AZ9725930028	CH part name	前牵引钩座	EN part name	Traction hook seat	RU part name	Буксировочное устройство	Size:mm	325*130*165	Weight:kg	5.3	NO.	NO.80-1														
Part No.	AZ9725930028																																
CH part name	前牵引钩座																																
EN part name	Traction hook seat																																
RU part name	Буксировочное устройство																																
Size:mm	325*130*165																																
Weight:kg	5.3																																
NO.	NO.80-1																																
			Remarks: HOWO WG9725930028																														
			KD1542																														
																																	
			<table border="1"> <tr><td>Part No.</td><td>WG9114930093</td></tr> <tr><td>CH part name</td><td>牵引钩</td></tr> <tr><td>EN part name</td><td>Traction hook</td></tr> <tr><td>RU part name</td><td>Буксировочное устройство</td></tr> <tr><td>Size:mm</td><td>240*110*80</td></tr> <tr><td>Weight:kg</td><td>3.8</td></tr> <tr><td>NO.</td><td>NO.80-2a</td></tr> </table>			Part No.	WG9114930093	CH part name	牵引钩	EN part name	Traction hook	RU part name	Буксировочное устройство	Size:mm	240*110*80	Weight:kg	3.8	NO.	NO.80-2a														
Part No.	WG9114930093																																
CH part name	牵引钩																																
EN part name	Traction hook																																
RU part name	Буксировочное устройство																																
Size:mm	240*110*80																																
Weight:kg	3.8																																
NO.	NO.80-2a																																
			Remarks: HOWO AZ9114930093																														
KD1543			KD1544																														
																																	
<table border="1"> <tr><td>Part No.</td><td>AZ9114930094</td></tr> <tr><td>CH part name</td><td>牵引钩销</td></tr> <tr><td>EN part name</td><td>Traction hook pin</td></tr> <tr><td>RU part name</td><td>Палец буксировочного устройства</td></tr> <tr><td>Size:mm</td><td>165*120*50</td></tr> <tr><td>Weight:kg</td><td>1.2</td></tr> <tr><td>NO.</td><td>NO.80-2</td></tr> </table>			Part No.	AZ9114930094	CH part name	牵引钩销	EN part name	Traction hook pin	RU part name	Палец буксировочного устройства	Size:mm	165*120*50	Weight:kg	1.2	NO.	NO.80-2	<table border="1"> <tr><td>Part No.</td><td>AZ9725930002</td></tr> <tr><td>CH part name</td><td>保险杠支架</td></tr> <tr><td>EN part name</td><td>Bracket for bumper</td></tr> <tr><td>RU part name</td><td>бампер скобка</td></tr> <tr><td>Size:mm</td><td>420*220*8</td></tr> <tr><td>Weight:kg</td><td>5.13</td></tr> <tr><td>NO.</td><td>NO.80-3</td></tr> </table>			Part No.	AZ9725930002	CH part name	保险杠支架	EN part name	Bracket for bumper	RU part name	бампер скобка	Size:mm	420*220*8	Weight:kg	5.13	NO.	NO.80-3
Part No.	AZ9114930094																																
CH part name	牵引钩销																																
EN part name	Traction hook pin																																
RU part name	Палец буксировочного устройства																																
Size:mm	165*120*50																																
Weight:kg	1.2																																
NO.	NO.80-2																																
Part No.	AZ9725930002																																
CH part name	保险杠支架																																
EN part name	Bracket for bumper																																
RU part name	бампер скобка																																
Size:mm	420*220*8																																
Weight:kg	5.13																																
NO.	NO.80-3																																

Email: ventas@sdpartsdelivery.com

Email: ventas@sdpartsdelivery.com

Website: <http://www.sdpartsdelivery.com>

Remarks: HOWO	Remarks: HOWO
---------------	---------------


KD1545			KD1546		
	Part No.	AZ9725930007		Part No.	AZ9725930155
	CH part name	保险杠支架(高位)		CH part name	左前牵引钩座
	EN part name	Bracket for bumper		EN part name	Traction hook seat
	RU part name	бампер скобка		RU part name	Буксировочное устройство
	Size:mm	420*220*8		Size:mm	
	Weight:kg	5.13		Weight:kg	5.3
	NO.	NO.80-3		NO.	NO.80-1
Remarks: HOWO For high bumper			Remarks: HOWO		
KD1547			KD1548		
	Part No.	WG9000930047		Part No.	199000930113
	CH part name	牵引钩		CH part name	牵引钩
	EN part name	Traction hook		EN part name	Traction hook
	RU part name	Вилка буксировочного устройства		RU part name	Вилка буксировочного устройства
	Size:mm			Size:mm	
	Weight:kg	4.82		Weight:kg	28.5
	NO.	NO.80-10		NO.	NO.80-19
Remarks: HOWO			Remarks: HOWO		
KD1549			KD1550		
	Part No.	WG9725950120		Part No.	199114930110
	CH part name	后轮挡泥板		CH part name	牵引钩
	EN part name	Rear mudguard		EN part name	Traction hook
	RU part name	заднее крыло		RU part name	Вилка буксировочного устройства
	Size:mm			Size:mm	450*280*250

Email: ventas@sdpartsdelivery.com

Email: ventas@sdpartsdelivery.com

Website: <http://www.sdpartsdelivery.com>

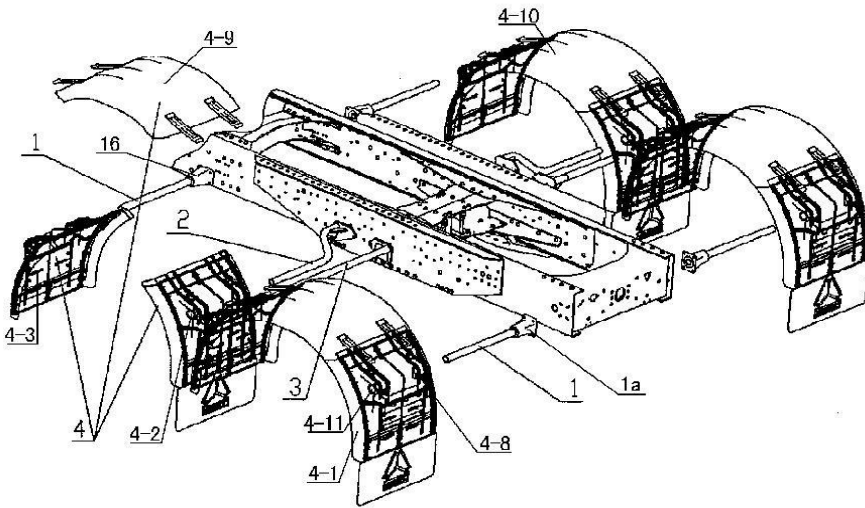
	Weight:kg	1.51		Weight:kg	38
	NO.	NO.81-4		NO.	NO.80-19
Remarks: HOWO 6*4 8*4			Remarks: HOWO		
KD1551			KD1552		
	Part No.	WG9725950120+001		Part No.	WG9719950155
	CH part name	后轮挡泥板		CH part name	轮罩上盖
	EN part name	Rear mudguard		EN part name	Segment mudguard
	RU part name	заднее крыло		RU part name	колесо покрытия верхнего покрытия
	Size:mm			Size:mm	
	Weight:kg	1.51		Weight:kg	1.3
	NO.	NO.81-4		NO.	NO.81-4-9
Remarks: HOWO 6*4 8*4			Remarks: HOWO 6*4 8*4		

REAR MUDGUARD FOR TRACTOR		NO.81				
				KD1553		
					Part No.	AZ9725951011
					CH part name	挡泥板支架总成
					EN part name	Tubular beam
					RU part name	трубчатые света
					Size:mm	
					Weight:kg	2.2
					NO.	NO.81-1
Remarks: HOWO 6*4 8*4						
				KD1554		
					Part No.	WG9725952010
					CH part name	后轮挡泥板中间支架
					EN part name	Tubular beam

Email: ventas@sdpartsdelivery.com

Email: ventas@sdpartsdelivery.com

Website: <http://www.sdpartsdelivery.com>



RU part name	трубчатые света
Size:mm	
Weight:kg	2.3
NO.	NO.81-2

Remarks: HOWO 6*4 8*4 WG9725952011

KD1555



Part No.	WG9725950120+003
CH part name	左后挡泥轮罩
EN part name	Rear mudguard
RU part name	левое заднее крыло
Size:mm	
Weight:kg	1.5
NO.	NO.81-4-3

Remarks: HOWO 6*4 8*4

KD1556



Part No.	WG9725950120+004
CH part name	右后挡泥轮罩
EN part name	Rear mudguard
RU part name	левое заднее крыло
Size:mm	
Weight:kg	1.5
NO.	NO.81-4-2

Remarks: HOWO 6*4 8*4

KD1557

Part No.	FC169-4-5460
CH part name	海沃大箱举升缸
EN part name	Lifting cylinder
RU part name	Гидроцилиндр подъема кузова

KD1558






Part No.	WG9719950156
CH part name	橡胶拉条
EN part name	Rubber hook
RU part name	резиновый бандаж

Email: ventas@sdpartsdelivery.com

Email: ventas@sdpartsdelivery.com

Website: <http://www.sdpartsdelivery.com>

	Size:mm	1650*300*300		Size:mm	
	Weight:kg	400		Weight:kg	0.01
	NO.			NO.	NO.81-4-10
Remarks: HOWO 6*4 8*4			Remarks: HOWO 4*2 6*4 8*4		

KD1559			KD1560		
	Part No.	CKHY0019		Part No.	CBD-F100-4
	CH part name	举升阀		CH part name	车体举升泵
	EN part name	Lifting valve		EN part name	Body lifting pump
	RU part name	Клапан подъёма		RU part name	Насос подъёма кузова
	Size:mm	280*130*85		Size:mm	350*210*160
	Weight:kg	6.1		Weight:kg	22
	NO.			NO.	

Remarks: HOWO 6*4 8*4 Remarks: HOWO 6*4 8*4

KD1561			KD1562		
	Part No.	CBD-F100+33Q-E32		Part No.	CBD-F580
	CH part name	车体举升泵		CH part name	车体举升泵
	EN part name	Body lifting pump		EN part name	Body lifting pump
	RU part name	Насос подъёма кузова		RU part name	Насос подъёма кузова
	Size:mm	360*280*180		Size:mm	300*160*140
	Weight:kg	32		Weight:kg	12.9
	NO.			NO.	

Remarks: HOWO 6*4 8*4 Remarks: HOWO

KD1563			KD1564		
	Part No.	CBD-F100-19		Part No.	33QFH-Y-000-3

Email: ventas@sdpartsdelivery.com

Email: ventas@sdpartsdelivery.com

Website: <http://www.sdpartsdelivery.com>

	CH part name EN part name RU part name Size:mm Weight:kg NO.	车体举升泵 Body lifting pump Насос подъёма кузова 360*280*180 25.9 		CH part name EN part name RU part name Size:mm Weight:kg NO.	气控换向阀 Air operated reversing valve Гидроклапан 305*170*70 6.79
Remarks: HOWO		Remarks: HOWO			
KD1565			KD1566		
	Part No. CH part name EN part name RU part name Size:mm Weight:kg NO.	CKHY0014 海沃举升阀 Lifting valve Клапан подъёма 147*68*66 0.33 		Part No. CH part name EN part name RU part name Size:mm Weight:kg NO.	CKHY-0001 气控举升分配阀 Air operated distributing valve Клапан распределителя подъёма 350*150*80 5.8
Remarks: HOWO 14750667H		Remarks: HOWO			
KD1567			KD1568		
	Part No. CH part name EN part name RU part name Size:mm Weight:kg NO.	CKHY-0002 气控举升阀 Air operated lifting valve Клапан подъёма 170*118*82 0.68 		Part No. CH part name EN part name RU part name Size:mm Weight:kg Price:usd	CKHY-0003 慢降阀 Descend valve Клапан 180*60*25 0.8
Remarks: HOWO		Remarks: HOWO			

Email: ventas@sdpartsdelivery.com

Email: ventas@sdpartsdelivery.com

Website: <http://www.sdpartsdelivery.com>

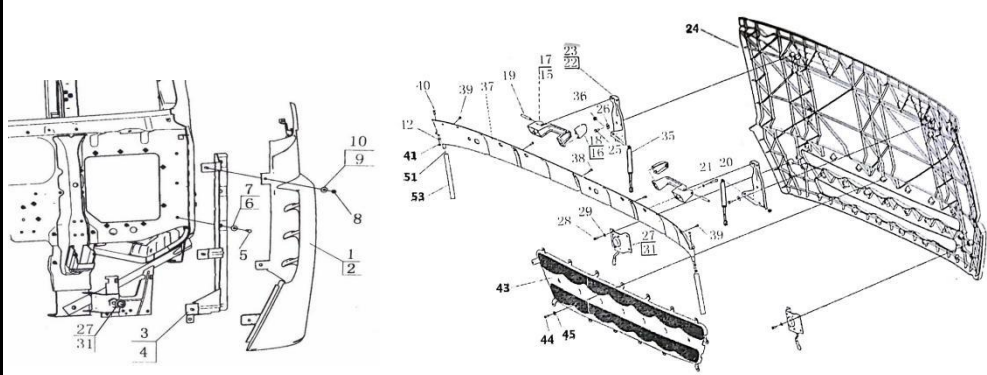

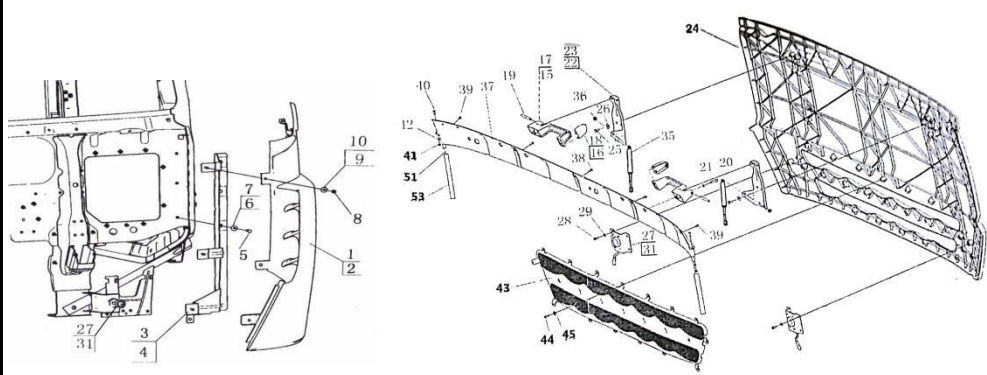



KD1569			KD1570		
	Part No.	14571220C		Part No.	
	CH part name	液压齿轮泵		CH part name	驾驶室总成
	EN part name	Body lifting pump		EN part name	Bridge assembly
	RU part name	Насос подъёма кузова		RU part name	В кабине водителя.
	Size:mm			Size:mm	
	Weight:kg	15.9		Weight:kg	
	NO.			NO.	NO.82
Remarks: HOWO			Remarks: HOWO A7		
KD1571			KD1572		
	Part No.			Part No.	WG1664110051
	CH part name	驾驶室总成		CH part name	左导风罩
	EN part name	Bridge assembly		EN part name	Wingfacingleft for high floor
	RU part name	В кабине водителя.		RU part name	Левый обтекатель
	Size:mm			Size:mm	100*37*13
	Weight:kg			Weight:kg	2.68
	NO.	NO.82		NO.	NO.82-1
Remarks: HOWO A7			Remarks: HOWO A7		
KD1573			KD1574		
	Part No.	WG1664110052		Part No.	WG1664110011
	CH part name	右导风罩		CH part name	散热器面罩
	EN part name	Wingfacing right for high floor		EN part name	Radiafor grille
	RU part name	Правый обтекатель		RU part name	Маска радиатора
	Size:mm	100*37*13		Size:mm	200*84*6
	Weight:kg	2.68		Weight:kg	18.78

Email: ventas@sdpartsdelivery.com

Email: ventas@sdpartsdelivery.com

Website: <http://www.sdpartsdelivery.com>



	NO.	NO.82-2		NO.	NO.82-24
Remarks: HOWO A7			Remarks: HOWO A7		

Radiator panel, air guide cover		NO.82		KD1575			
						Part No.	AZ1664110057
				CH part name	左导风罩连接板		
				EN part name	Left wing facing link plate assy		
				RU part name	Соединительная плита		
				Size:mm			
				Weight:kg	0.56		
				NO.	NO.82-3		
Remarks: HOWO A7				KD1576			
						Part No.	AZ1664110058
				CH part name	右导风罩连接板		
				EN part name	Right wing facing link plate assy		
				RU part name	Соединительная плита		
				Size:mm			
				Weight:kg	0.56		
				NO.	NO.82-4		
Remarks: HOWO A7				KD1577			
		Part No.	WG1664110032	KD1578			
CH part name	铰链座右	CH part name	铰链座左				
EN part name	Hinge seat right	EN part name	Hinge seat left				
RU part name	Справа шарнир	RU part name	Лево руля				

Email: ventas@sdpartsdelivery.com

Email: ventas@sdpartsdelivery.com

Website: <http://www.sdpartsdelivery.com>






	Size:mm			Size:mm	
	Weight:kg	0.18		Weight:kg	0.18
	NO.	NO.82-17		NO.	NO.82-15
Remarks: HOWO A7			Remarks: HOWO A7		
KD1579			KD1580		
	Part No.	AZ1664110022		Part No.	AZ1664110021
	CH part name	右铰链板		CH part name	左铰链板
	EN part name	Righe hinge plate		EN part name	Left hinge plate
	RU part name	Правый шарнир		RU part name	Левый шарнир
	Size:mm			Size:mm	
	Weight:kg	0.24		Weight:kg	0.24
	NO.	NO.82-23		NO.	NO.82-22
Remarks: HOWO A7			Remarks: HOWO A7		

KD1581			KD1582		
	Part No.	WG1664110027		Part No.	WG1664110028
	CH part name	面罩左锁		CH part name	面罩右锁
	EN part name	Grille lock left		EN part name	Grille lock right
	RU part name	Левый замок маски		RU part name	Правый замок маски
	Size:mm			Size:mm	
	Weight:kg	0.21		Weight:kg	0.21
	NO.	NO.82-27		NO.	NO.82-31
Remarks: HOWO A7			Remarks: HOWO A7		
KD1583			KD1584		
	Part No.	WG1664110061		Part No.	WG1664110091
	CH part name	面罩装饰网		CH part name	重汽标志

Email: ventas@sdpartsdelivery.com

Email: ventas@sdpartsdelivery.com

Website: <http://www.sdpartsdelivery.com>

	EN part name	Grille decorate net		EN part name	Trade mark
	RU part name	Декоративная сеть		RU part name	Признак тяжелого пара
	Size:mm			Size:mm	
	Weight:kg	0.19		Weight:kg	0.1
	NO.	NO.82-43		NO.	NO.82-46
Remarks: HOWO A7			Remarks: HOWO A7		
KD1585			KD1586		
	Part No.	WG1664110071		Part No.	WG1664110072
	CH part name	车门铰链装饰板 (L)		CH part name	车门铰链装饰板 (R)
	EN part name	Door hinge trim panel		EN part name	Door hinge trim panel
	RU part name	Петля на шарнирах		RU part name	Петля на шарнирах
	Size:mm			Size:mm	
	Weight:kg	0.11		Weight:kg	0.11
	NO.	NO.82-49		NO.	NO.82-51
Remarks: HOWO A7			Remarks: HOWO A7		
KD1587			KD1588		
	Part No.	AZ1664160050		Part No.	AZ1664160065
	CH part name	仪表台左侧支架		CH part name	仪表台左侧前支架
	EN part name			EN part name	
	RU part name			RU part name	
	Size:mm			Size:mm	
	Weight:kg			Weight:kg	
	NO.	NO.83-1		NO.	NO.83-2
Remarks: HOWO A7			Remarks: HOWO A7		

Email: ventas@sdpartsdelivery.com

Email: ventas@sdpartsdelivery.com


Website: <http://www.sdpartsdelivery.com>


Instrument desk		NO.83		KD1589	
				Part No.	AZ1664160060
				CH part name	仪表台中间定位支架
				EN part name	
				RU part name	
				Size:mm	
				Weight:kg	
				NO.	NO.83-3
Remarks: HOWO A7					
				KD1590	
				Part No.	AZ1664160071
				CH part name	仪表台右侧前支架
				EN part name	
				RU part name	
				Size:mm	
				Weight:kg	
				NO.	NO.83-5
Remarks: HOWO A7					
KD1591				KD1592	
				Part No.	AZ1664160055
Part No.	AZ1664160092			CH part name	仪表台右侧支架
CH part name	右下支架			EN part name	
EN part name				RU part name	
RU part name					

Email: ventas@sdpartsdelivery.com

Email: ventas@sdpartsdelivery.com

Website: <http://www.sdpartsdelivery.com>

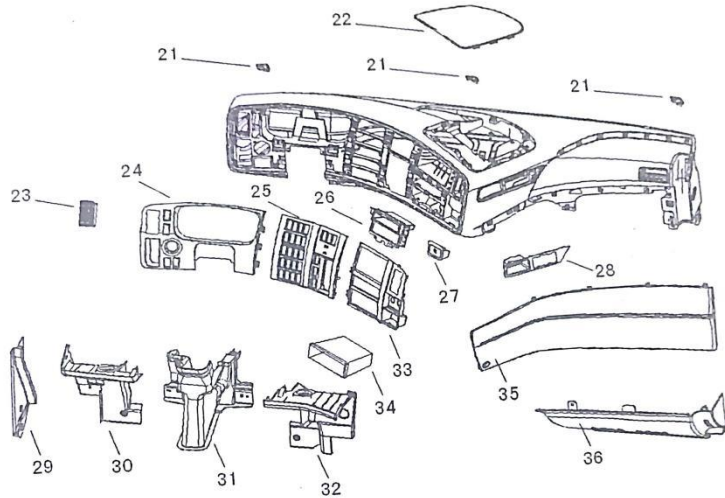
	Size:mm			Size:mm	
	Weight:kg			Weight:kg	
	NO.	NO.83-7		NO.	NO.83-6
Remarks: HOWO A7			Remarks: HOWO A7		
KD1593			KD1594		
	Part No.	AZ1664160010		Part No.	WG1664160100
	CH part name	中间托架		CH part name	仪表台
	EN part name			EN part name	
	RU part name			RU part name	
	Size:mm			Size:mm	
	Weight:kg			Weight:kg	
	NO.	NO.83-9		NO.	NO.83-12
Remarks: HOWO A7			Remarks: HOWO A7		


Instrument desk	NO.84	KD1595		
			Part No.	WG1664160210
			CH part name	仪表面板
			EN part name	cluster cover
			RU part name	Приборная панель
			Size:mm	
			Weight:kg	0.21
			NO.	NO.84-24
Remarks: HOWO A7				
		KD1596		

Email: ventas@sdpartsdelivery.com

Email: ventas@sdpartsdelivery.com

Website: <http://www.sdpartsdelivery.com>




	Part No.	WG1664160260
	CH part name	电瓶箱盖
	EN part name	electric box cover
	RU part name	Крышка резервуара
	Size:mm	
	Weight:kg	0.22
	NO.	NO.84-22

Remarks: HOWO A7

KD1597



	Part No.	AZ1642160150
	CH part name	出风口总成
	EN part name	air outlet
	RU part name	
	Size:mm	
	Weight:kg	0.1
	NO.	NO.84-23


Remarks: HOWO A7

KD1599

	Part No.	WG1664160205
	CH part name	上储物盒-中左侧面板
	EN part name	uPPer box-center left panel

KD1598



	Part No.	WG1664160240
	CH part name	中间面板总成
	EN part name	
	RU part name	
	Size:mm	
	Weight:kg	0.15
	NO.	NO.84-25

Remarks: HOWO A7



KD1600



	Part No.	WG1664160220
	CH part name	烟灰缸
	EN part name	ash tray

Email: ventas@sdpartsdelivery.com


Email: ventas@sdpartsdelivery.com

Website: <http://www.sdpartsdelivery.com>

	RU part name			RU part name	
	Size:mm			Size:mm	
	Weight:kg	0.2		Weight:kg	0.1
	NO.	NO.84-26		NO.	NO.84-27
Remarks: HOWO A7			Remarks: HOWO A7		

KD1601			KD1602		
	Part No.	WG1664160250		Part No.	AZ1664160300
	CH part name	中右侧面板		CH part name	A 柱左下护板
	EN part name	center right panel		EN part name	a pillar left lower panel
	RU part name			RU part name	
	Size:mm			Size:mm	
	Weight:kg	0.1		Weight:kg	0.12
	NO.	NO.84-28		NO.	NO.84-29

Remarks: HOWO A7

KD1603			KD1604		
	Part No.	AZ1664160310		Part No.	AZ1664160290
	CH part name	司机侧左下护板		CH part name	转向柱护罩
	EN part name	left lower panel		EN part name	column cover
	RU part name			RU part name	
	Size:mm			Size:mm	
	Weight:kg	0.156		Weight:kg	0.18
	NO.	NO.84-30		NO.	NO.84-31

Remarks: HOWO A7


KD1605			KD1606		
--------	--	--	--------	--	--

Email: ventas@sdpartsdelivery.com

Email: ventas@sdpartsdelivery.com

Website: <http://www.sdpartsdelivery.com>

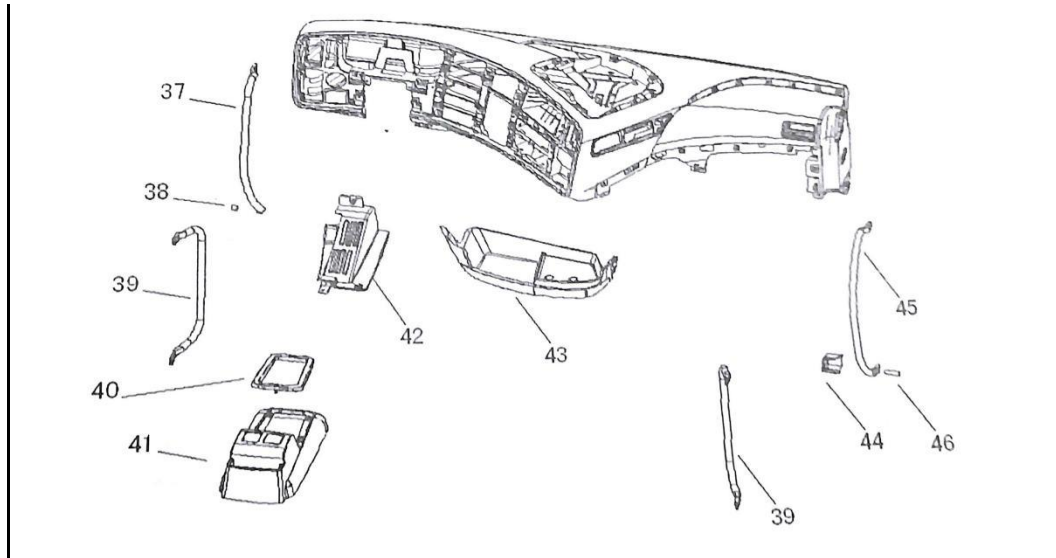
	Part No.	AZ1664160315		Part No.	WG1664160215
	CH part name	司机侧右下护板		CH part name	中左侧面板总成
	EN part name	right lower panel		EN part name	center left panel
	RU part name			RU part name	
	Size:mm			Size:mm	
	Weight:kg	0.16		Weight:kg	0.15
	NO.	NO.84-32		NO.	NO.84-33
Remarks: HOWO A7			Remarks: HOWO A7		
KD1607			KD1608		
	Part No.	WG1664160225		Part No.	WG1664160340
	CH part name	下储物盒-中左侧面板		CH part name	副司机侧下护板
	EN part name	lower box-center left panel		EN part name	right lower center panel(highfloor cab)
	RU part name			RU part name	
	Size:mm			Size:mm	
	Weight:kg	0.1		Weight:kg	0.13
	NO.	NO.84-34		NO.	NO.84-35
Remarks: HOWO A7			Remarks: HOWO A7		

Instrument desk	NO.85	KD1609		
			Part No.	WG1664160390
			CH part name	副司机侧下护板下件
			EN part name	right lower panel
			RU part name	
			Size:mm	
			Weight:kg	0.21


Email: ventas@sdpartsdelivery.com

Email: ventas@sdpartsdelivery.com

Website: <http://www.sdpartsdelivery.com>




KD1611		
--------	--	--

	Part No.	WG1664160380
	CH part name	后扶手
	EN part name	rear handle
	RU part name	ПОДЛОКОТНИК
	Size:mm	
	Weight:kg	0.32
	NO.	NO.85-39

Remarks: HOWO A7


KD1613		
--------	--	--

	Part No.	WG1664160351
	CH part name	换挡杆护罩上盖
	EN part name	shift cover upper
	RU part name	Верхняя крышка

	NO.	NO.84-36
--	-----	-----------------


Remarks: HOWO A7

KD1610		
--------	--	--

	Part No.	WG1664160360
	CH part name	左前上车扶手
	EN part name	left front grab handle
	RU part name	ПОДЛОКОТНИК
	Size:mm	
	Weight:kg	0.34
	NO.	NO.85-37


Remarks: HOWO A7

KD1612		
--------	--	--

	Part No.	WG1664160370
	CH part name	右前上车扶手
	EN part name	right front grab handle
	RU part name	ПОДЛОКОТНИК
	Size:mm	
	Weight:kg	0.34
	NO.	NO.85-45

Remarks: HOWO A7

KD1614		
--------	--	--



	Part No.	WG1664160350
	CH part name	换挡杆护罩
	EN part name	shift cover lower
	RU part name	кожух

Email: ventas@sdpartsdelivery.com

Email: ventas@sdpartsdelivery.com

Website: <http://www.sdpartsdelivery.com>

	Size:mm			Size:mm	
	Weight:kg			Weight:kg	
	NO.	NO.85-40		NO.	NO.85-41
Remarks: HOWO A7			Remarks: HOWO A7		

KD1615			KD1616		
	Part No.	AZ1664160345		Part No.	AZ1664160320
	CH part name	A 立柱护罩		CH part name	踏脚板
	EN part name	A pillar shield		EN part name	foot rest
	RU part name	Защитный колпачок		RU part name	Ножной доска
	Size:mm			Size:mm	
	Weight:kg			Weight:kg	
	NO.	NO.85-44		NO.	NO.85-42

Remarks: HOWO A7			Remarks: HOWO A7		
------------------	--	--	------------------	--	--

soundproof on bottom of cab	NO.86				
------------------------------------	--------------	--	--	--	--

			KD1617			
		Part No.	WG1664160150		Part No.	WG1664160150
		CH part name	下储物盒		CH part name	下储物盒
		EN part name	lower box		EN part name	lower box
		RU part name	Нижняя ячейка		RU part name	Нижняя ячейка
		Size:mm			Size:mm	
		Weight:kg			Weight:kg	
NO.			NO.		NO.85-43	

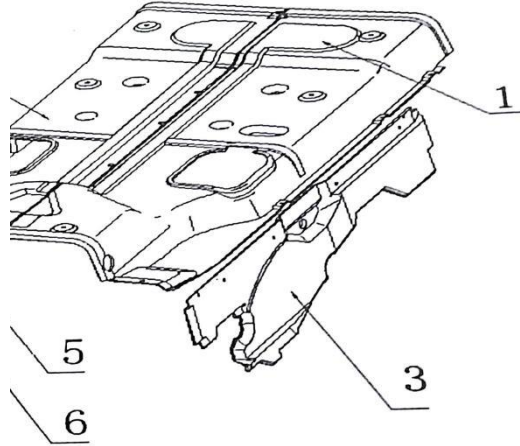
Remarks: HOWO A7					
------------------	--	--	--	--	--


			KD1618		
--	--	--	--------	--	--

Email: ventas@sdpartsdelivery.com

Email: ventas@sdpartsdelivery.com

Website: <http://www.sdpartsdelivery.com>



	Part No.	WG1662690001
	CH part name	左隔热吸音垫
	EN part name	Left insulating slab
	RU part name	
	Size:mm	
	Weight:kg	
	NO.	NO.86-1

Remarks: HOWO A7

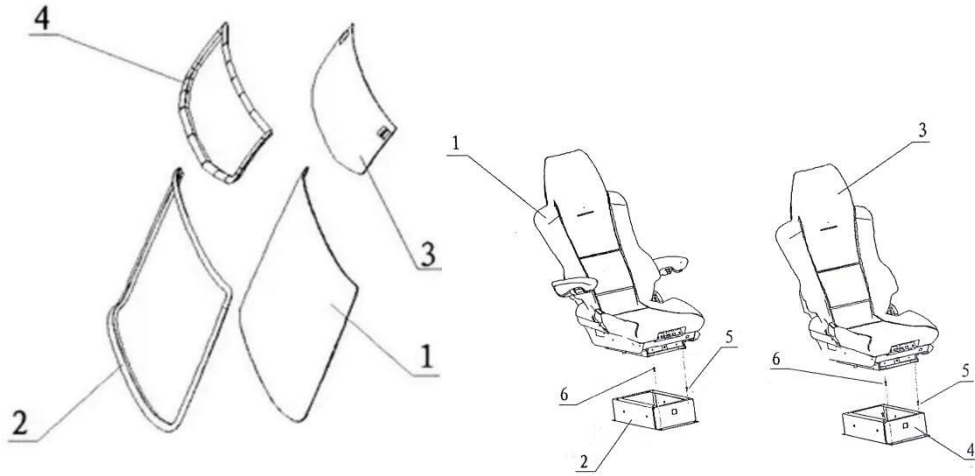
KD1619			KD1620		
	Part No.	WG1662690002		Part No.	WG1661690003
	CH part name	右隔热吸音垫		CH part name	左侧隔热吸音板
	EN part name	Righ insulating slab		EN part name	Insulating slab left
	RU part name			RU part name	
	Size:mm			Size:mm	
	Weight:kg			Weight:kg	
	NO.	NO.86-2		NO.	NO.86-3
Remarks: HOWO A7			Remarks: HOWO A7		

WINDOW GLASS/SEA TS		NO.87		KD1621	
			Part No.	WG1661690004	
			CH part name	右侧隔热吸音板	
			EN part name	Insulating slab right	

Email: ventas@sdpartsdelivery.com

Email: ventas@sdpartsdelivery.com

Website: <http://www.sdpartsdelivery.com>



RU part name	
Size:mm	
Weight:kg	
NO.	NO.86-4

Remarks: HOWO A7

KD1622



Part No.	WG1664710001
CH part name	风窗玻璃
EN part name	windshield
RU part name	
Size:mm	
Weight:kg	
NO.	NO.87-1

Remarks: HOWO A7

KD1623



Part No.	WG1664710010
CH part name	风窗玻璃密封条
EN part name	Sealing frame for windshield
RU part name	
Size:mm	
Weight:kg	
NO.	NO.87-2

Remarks: HOWO A7

KD1624



Part No.	WG1664710011
CH part name	上风窗玻璃
EN part name	Top window glass
RU part name	
Size:mm	
Weight:kg	
NO.	NO.87-3

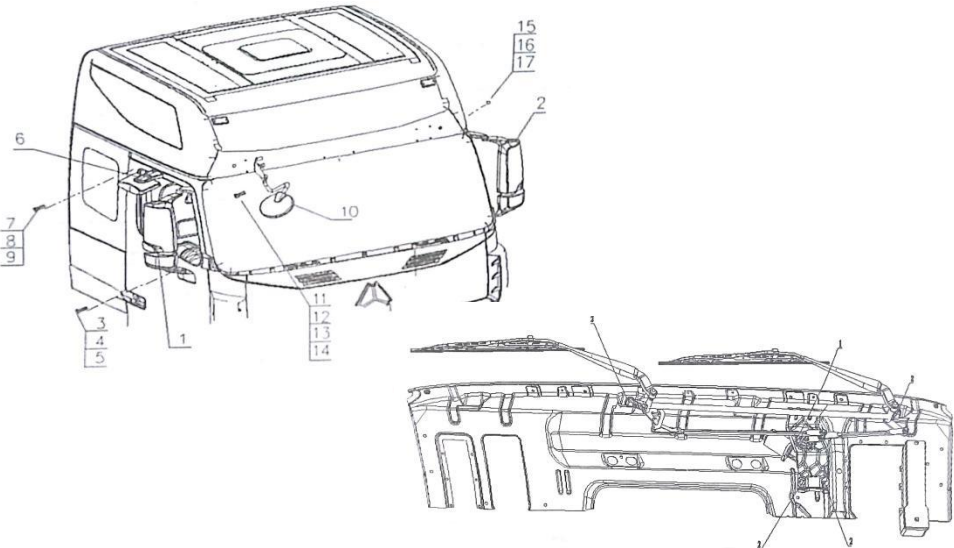


Remarks: HOWO A7

Email: ventas@sdpartsdelivery.com

Email: ventas@sdpartsdelivery.com

Website: <http://www.sdpartsdelivery.com>





KD1625			KD1626		
	Part No.	WG1664710020		Part No.	AZ1662510001
	CH part name	上风窗玻璃密封条		CH part name	左座椅总成
	EN part name	Sealing frame for top window glass		EN part name	Laft seat
	RU part name			RU part name	Левое кресло
	Size:mm			Size:mm	
	Weight:kg			Weight:kg	
	NO.	NO.87-4		NO.	NO.87-1
Remarks: HOWO A7			Remarks: HOWO A7		

REAR-VIEW MIRROR/WIPER	NO.88	KD1627			
			Part No.	AZ1662510002	
			CH part name	右座椅总成	
			EN part name	Right seat	
			RU part name	Правое кресло	
			Size:mm		
			Weight:kg		
			NO.	NO.87-3	
Remarks: HOWO A7					
		KD1628			
			Part No.	WG1664771010	
			CH part name	左后视镜总成	
			EN part name	Left rear-view mirror	
			RU part name	Зеркало заднего вида	
			Size:mm		

Email: ventas@sdpartsdelivery.com

Email: ventas@sdpartsdelivery.com

Website: <http://www.sdpartsdelivery.com>

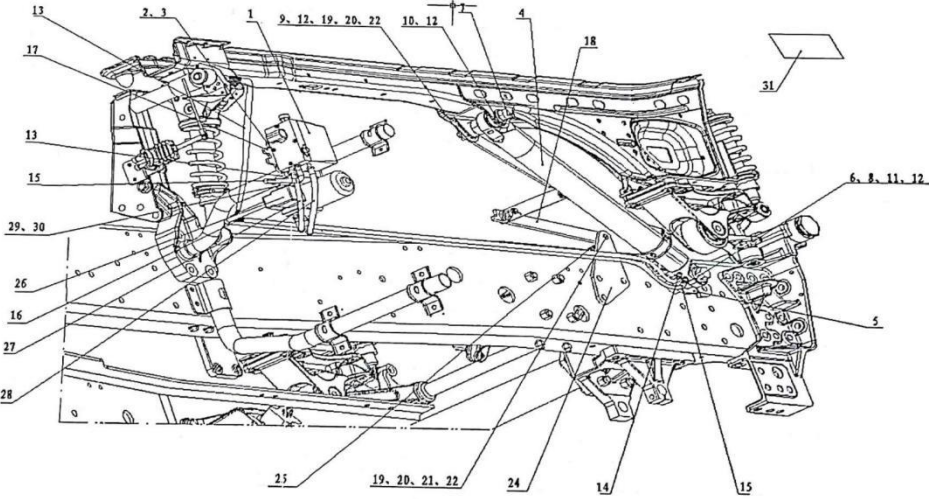


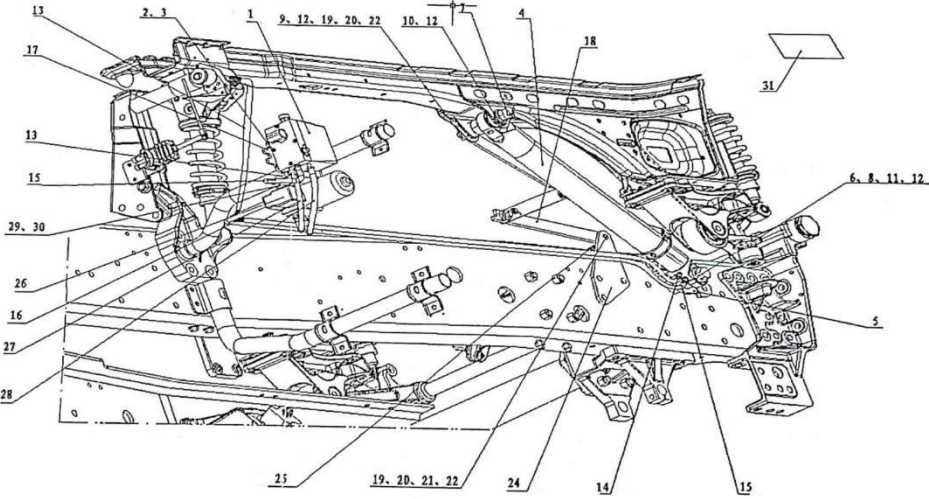


					Weight:kg		
					NO.	NO.88-1	
		Remarks: HOWO A7					
KD1629				KD1630			
	Part No.	WG1664771020			Part No.	WG1664771040	
	CH part name	右后视镜总成			CH part name	补盲镜总成	
	EN part name	Right rear-view mirror			EN part name		
	RU part name	Зеркало заднего вида			RU part name		
	Size:mm				Size:mm	340*300*90	
	Weight:kg				Weight:kg	1.05	
	NO.	NO.88-2			NO.	NO.88-6	
Remarks: HOWO A7			Remarks: HOWO A7				
KD1631				KD1632			
	Part No.	WG1664771030			Part No.	WG1661740020	
	CH part name	前下视镜总成			CH part name	刮水器装置	
	EN part name	Front mirror			EN part name	Wiper device	
	RU part name	Зеркало заднего вида			RU part name		
	Size:mm	108*38*28			Size:mm		
	Weight:kg	0.95			Weight:kg		
	NO.	NO.88-10			NO.	NO.88-1-2	
Remarks: HOWO A7			Remarks: HOWO A7				

TILTING OPERATION	NO.89	KD1633		
--------------------------	--------------	--------	--	--

Email: ventas@sdpartsdelivery.com

Email: ventas@sdpartsdelivery.com

Website: <http://www.sdpartsdelivery.com>

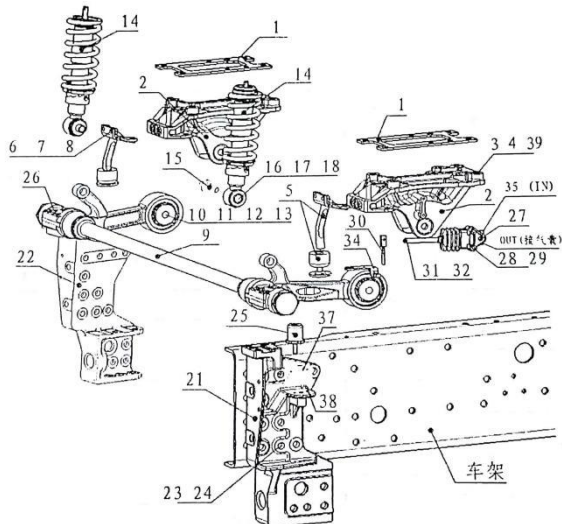


				Part No.	WG9925821002
	CH part name	驾驶室举升油泵		EN part name	lilandpump
				RU part name	Насос подъема кабины
				Size:mm	
				Weight:kg	3.685
				NO.	NO.89-1
Remarks: HOWO A7					
KD1634					
				Part No.	WG9925820004
	CH part name	举升油缸		EN part name	Cylinder
				RU part name	Гидроцилиндр подъема кабины
				Size:mm	
				Weight:kg	6.8
				NO.	NO.89-4
Remarks: HOWO A7					
KD1635					
				Part No.	WG9925821005
	CH part name	举升缸下支架		CH part name	举升油管
				EN part name	Tube
				RU part name	нефть feeding трубы
				Size:mm	
				Weight:kg	0.78
				NO.	NO.89-7
Remarks: HOWO A7					
KD1636					
				Part No.	WG9925820007/09/40/41/46
				CH part name	举升油管
				EN part name	Tube
				RU part name	нефть feeding трубы
				Size:mm	
				Weight:kg	0.78
				NO.	NO.89-13/14/15/27/28
Remarks: HOWO A7					

Email: ventas@sdpartsdelivery.com

Email: ventas@sdpartsdelivery.com

Website: <http://www.sdpartsdelivery.com>

KD1637			KD1638		
	Part No.	AZ9925820017		Part No.	WG9925821031
	CH part name	支撑下支座		CH part name	电机总成
	EN part name	Bracket		EN part name	Electric dump
	RU part name			RU part name	
	Size:mm			Size:mm	
	Weight:kg			Weight:kg	
	NO.	NO.89-24		NO.	NO.89-26
Remarks: HOWO A7			Remarks: HOWO A7		

DRIVER SCAB FRONT SUSPENSIONS		NO.90		KD1639		
					Part No.	AZ1664430041
					CH part name	前悬过渡支架
					EN part name	Transition support
					RU part name	Переходная крепь
					Size:mm	
					Weight:kg	
					NO.	NO.90-2
Remarks: HOWO A7				KD1640		
				Part No.	AZ1664430080	
				CH part name	限位拉杆	
				EN part name	Limitate bar assembly	
				RU part name	Ограничительная тяга	
				Size:mm		

Email: ventas@sdpartsdelivery.com

Email: ventas@sdpartsdelivery.com


Website: <http://www.sdpartsdelivery.com>

					Weight:kg	
					NO.	NO.90-5
		Remarks: HOWO A7				
KD1641				KD1642		
	Part No.	AZ1664430021		Part No.	WG1664430078	
	CH part name	翻转轴		CH part name	前减震器总成	
	EN part name	trip shaft		EN part name	Air spring	
	RU part name	Ось вращения		RU part name	Воздушный пружина	
	Size:mm	142*35*16		Size:mm	100*100*420	
	Weight:kg	27.7		Weight:kg	3.16	
	NO.	NO.90-9		NO.	NO.90-14	
	Remarks: HOWO A7			Remarks: HOWO A7		
KD1643			KD1644			
	Part No.	AZ1664430093		Part No.	AZ1664430051	
	CH part name	前悬上限位块		CH part name	前悬左下支架	
	EN part name	Front overhanging block		EN part name	Front sususpension bracket (left)	
	RU part name	Верхний подвесной блок		RU part name	Передняя подвеска слева	
	Size:mm			Size:mm		
	Weight:kg			Weight:kg		
	NO.	NO.90-19		NO.	NO.90-21	
	Remarks: HOWO A7			Remarks: HOWO A7		
KD1645			KD1646			
	Part No.	AZ1664430052		Part No.	AZ1664430094	
	CH part name	前悬右下支架		CH part name	前悬下限位块	

Email: ventas@sdpartsdelivery.com

Email: ventas@sdpartsdelivery.com

Website: <http://www.sdpartsdelivery.com>

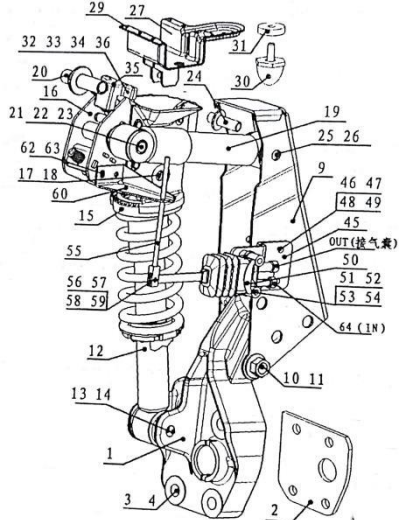


	EN part name	Front susupension bracket (Right)		EN part name	
	RU part name	Передняя подвеска справа		RU part name	
	Size:mm			Size:mm	
	Weight:kg			Weight:kg	0.2
	NO.	NO.90-22		NO.	NO.90-25
Remarks: HOWO A7			Remarks: HOWO A7		
KD1647			KD1648		
	Part No.	AZ1664430245		Part No.	AZ1664430065
	CH part name	调整杆		CH part name	推杆连接板
	EN part name	Adjust bar assembly		EN part name	Push-bar board
	RU part name	Регулировочный стержень		RU part name	Соединительная плита
	Size:mm			Size:mm	
	Weight:kg	0.15		Weight:kg	
	NO.	NO.90-30		NO.	NO.90-34
Remarks: HOWO A7			Remarks: HOWO A7		
KD1649			KD1650		
	Part No.	190003179782		Part No.	WG9000361316
	CH part name	聚酰胺管		CH part name	T 型三通接头体
	EN part name	Tubc		EN part name	T-tie in 3-NW4
	RU part name	Полиамидный труба		RU part name	Т-тройная штукатурка
	Size:mm			Size:mm	
	Weight:kg	0.1		Weight:kg	
	NO.	NO.90-35		NO.	NO.90-36
Remarks: HOWO A7			Remarks: HOWO A7		

Email: ventas@sdpartsdelivery.com

Email: ventas@sdpartsdelivery.com

Website: <http://www.sdpartsdelivery.com>

KD1651			KD1652		
	Part No.	AZ1664440011		Part No.	AZ1664440012
	CH part name	驾驶室后悬左支架		CH part name	驾驶室后悬右支架
	EN part name	Rear suspension bracket (left)		EN part name	Rear suspension bracket (right)
	RU part name	Левая стойка		RU part name	Правая стойка
	Size:mm			Size:mm	
	Weight:kg			Weight:kg	
	NO.	NO.91-1		NO.	NO.91-5
Remarks: HOWO A7			Remarks: HOWO A7		

AIR SPRING	NO.91		KD1653				
				Part No.	WG1664440068		
				CH part name	后减震器		
				EN part name	Air spring		
				RU part name	амортизатор		
				Size:mm			
				Weight:kg			
				NO.	NO.91-12		
	Remarks: HOWO A7						
					KD1654		
						Part No.	WG1664440101
			CH part name	液压锁			
			EN part name	Hydraulic pressure lock assembly			
			RU part name	Гидравлический замок			
			Size:mm				
			Weight:kg	2.5			

Email: ventas@sdpartsdelivery.com

Email: ventas@sdpartsdelivery.com



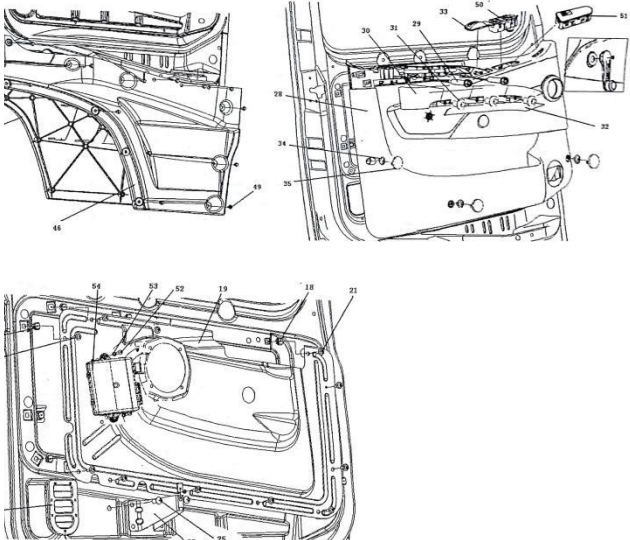


Website: <http://www.sdpartsdelivery.com>

				NO.	NO.91-16
		Remarks: HOWO A7			
KD1655			KD1656		
	Part No.	WG1642440021		Part No.	AZ1664440021
	CH part name	横向稳定减振器		CH part name	驾驶室后悬过度支架
	EN part name	Transverse sususpension asscmbly		EN part name	Rear sususpension transitional bracket
	RU part name	амортизатор		RU part name	Чрезмерная опора
	Size:mm			Size:mm	
	Weight:kg			Weight:kg	
	NO.	NO.91-19		NO.	NO.91-9
Remarks: HOWO A7			Remarks: HOWO A7		
KD1657			KD1658		
	Part No.	AZ1664440031		Part No.	AZ1664430061
	CH part name	前减振气囊衬套		CH part name	前减振气囊衬套
	EN part name	Bush		EN part name	Bush
	RU part name	вкладыш		RU part name	вкладыш
	Size:mm			Size:mm	
	Weight:kg			Weight:kg	
	NO.	NO.91-20		NO.	NO.91-24
Remarks: HOWO A7			Remarks: HOWO A7		
KD1659			KD1660		
	Part No.	WG1664440050		Part No.	WG1664440051
	CH part name	左上支架		CH part name	右上支架
	EN part name	Bracket assembly (left)		EN part name	Bracket assembly (right)

Email: ventas@sdpartsdelivery.com

Email: ventas@sdpartsdelivery.com



Website: <http://www.sdpartsdelivery.com>



	RU part name Верхняя стойка Size:mm Weight:kg NO.	Верхняя стойка NO.91-27		RU part name Size:mm Weight:kg NO.	Правая стойка NO.91-28
Remarks: HOWO A7			Remarks: HOWO A7		
DOOR, GLASS AND FITTINGS		NO.92			
				Part No. CH part name EN part name RU part name Size:mm Weight:kg NO.	WG1664330003 左玻璃升降器 Window lifter left подъемник 115*375*50 2.3 NO.92-1
Remarks: HOWO A7				Part No. CH part name EN part name RU part name Size:mm Weight:kg NO.	WG1664330004 右玻璃升降器 Window lifter right подъемник 115*375*50 2.3 NO.92-2
Remarks: HOWO A7			Remarks: HOWO A7		
KD1663	Part No. CH part name EN part name	WG1664330015 左车门玻璃 Door glass left	KD1664	Part No. CH part name EN part name	WG1664330016 右车门玻璃 Door glass right

Email: ventas@sdpartsdelivery.com

Email: ventas@sdpartsdelivery.com

Website: <http://www.sdpartsdelivery.com>

	RU part name	Левое стекло		RU part name	Правое стекло
	Size:mm			Size:mm	
	Weight:kg			Weight:kg	
	NO.	NO.92-3		NO.	NO.92-4
Remarks: HOWO A7			Remarks: HOWO A7		

KD1665			KD1666		
	Part No.	WG1664330009		Part No.	WG1664330010
	CH part name	左前玻璃滑槽		CH part name	右前玻璃滑槽
	EN part name	Glass guide left fronf		EN part name	Glass guide right front
	RU part name	Стеклянный желоб		RU part name	Стеклянный желоб
	Size:mm			Size:mm	
	Weight:kg			Weight:kg	
	NO.	NO.92-5		NO.	NO.92-8

Remarks: HOWO A7

KD1667			KD1668		
	Part No.	WG1664330025		Part No.	WG1664330026
	CH part name	左车门内衬板		CH part name	右车门内衬板
	EN part name	Internal lining for left floor		EN part name	Internal lining for right floor
	RU part name	Левая дверная панель		RU part name	вправо
	Size:mm			Size:mm	
	Weight:kg			Weight:kg	
	NO.	NO.92-28		NO.	NO.92-36



Remarks: HOWO A7

KD1669			KD1670		
--------	--	--	--------	--	--

Email: ventas@sdpartsdelivery.com



Email: ventas@sdpartsdelivery.com



Website: <http://www.sdpartsdelivery.com>

	Part No.	WG1664330040		Part No.	WG1664330140
	CH part name	左扶手外板		CH part name	右扶手外板
	EN part name	Cover left		EN part name	Cover right
	RU part name			RU part name	
	Size:mm			Size:mm	
	Weight:kg			Weight:kg	
	NO.	NO.92-30		NO.	NO.92-38

Remarks: HOWO A7



Remarks: HOWO A7



KD1671					
	Part No.	WG1664330045		Part No.	WG1664330145
	CH part name	左装饰条		CH part name	右装饰条
	EN part name	Decorative strips on the left		EN part name	Decorative strips on the right
	RU part name	Левый декоратор		RU part name	Правый декоратор
	Size:mm			Size:mm	
	Weight:kg			Weight:kg	
	NO.	NO.92-32		NO.	NO.92-41

KD1672					
	Part No.	WG1664330045		Part No.	WG1664330145
	CH part name	左装饰条		CH part name	右装饰条
	EN part name	Decorative strips on the left		EN part name	Decorative strips on the right
	RU part name	Левый декоратор		RU part name	Правый декоратор
	Size:mm			Size:mm	
	Weight:kg			Weight:kg	
	NO.	NO.92-32		NO.	NO.92-41

Remarks: HOWO A7

Remarks: HOWO A7

KD1673					
	Part No.	WG1664330005		Part No.	WG1664330006
	CH part name	左车门下装饰外板		CH part name	右车门下装饰外板
	EN part name	Outer garnish left		EN part name	Outer garnish right
	RU part name	На левой дверной панели		RU part name	На правой дверной панели
	Size:mm			Size:mm	
	Weight:kg			Weight:kg	

KD1674					
	Part No.	WG1664330005		Part No.	WG1664330006
	CH part name	左车门下装饰外板		CH part name	右车门下装饰外板
	EN part name	Outer garnish left		EN part name	Outer garnish right
	RU part name	На левой дверной панели		RU part name	На правой дверной панели
	Size:mm			Size:mm	
	Weight:kg			Weight:kg	

Email: ventas@sdpartsdelivery.com

Email: ventas@sdpartsdelivery.com


Website: <http://www.sdpartsdelivery.com>


	NO.	NO.92-44		NO.	NO.92-45
Remarks: HOWO A7			Remarks: HOWO A7		
KD1675			KD1676		
	Part No.	WG1664330007		Part No.	WG1664330008
	CH part name	左车门下装饰内板		CH part name	右车门下装饰内板
	EN part name	infer garnish left		EN part name	infer garnish right
	RU part name	Нижняя декоративная панель		RU part name	Нижняя декоративная панель
	Size:mm			Size:mm	
	Weight:kg			Weight:kg	
	NO.	NO.92-46		NO.	NO.92-47
Remarks: HOWO A7			Remarks: HOWO A7		
KD1677			KD1678		
	Part No.	WG1664331061		Part No.	WG1664331062
	CH part name	左车门附件控制开关		CH part name	右车门附件控制开关
	EN part name	Control unit left		EN part name	Control unit right
	RU part name	Кран управления		RU part name	Кран управления
	Size:mm			Size:mm	
	Weight:kg			Weight:kg	
	NO.	NO.92-50		NO.	NO.92-51
Remarks: HOWO A7			Remarks: HOWO A7		
KD1679			KD1680		
	Part No.	WG1664331063		Part No.	WG1664331064
	CH part name	左车门附件控制开关		CH part name	右车门附件控制开关
	EN part name	Control unit left		EN part name	Control unit right
	RU part name	Кран управления		RU part name	Кран управления

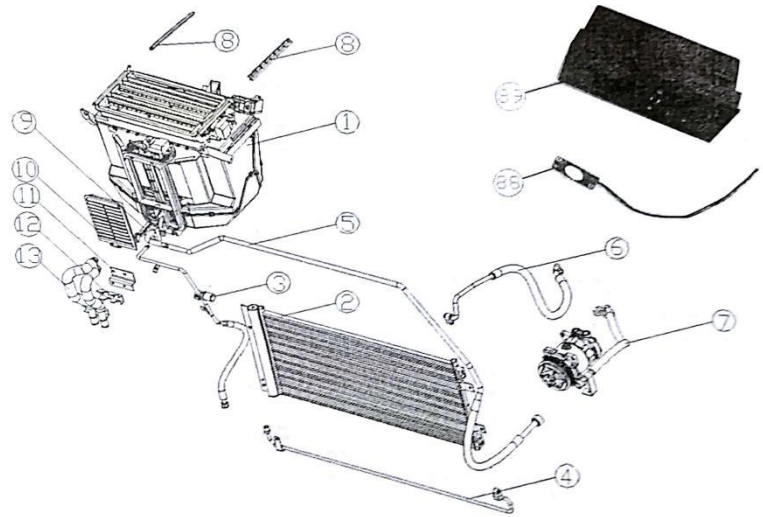
Email: ventas@sdpartsdelivery.com

Email: ventas@sdpartsdelivery.com

Website: <http://www.sdpartsdelivery.com>

	Size:mm	
	Weight:kg	
	NO.	NO.92-54
Remarks: HOWO A7		

	Size:mm	
	Weight:kg	
	NO.	NO.92-55
Remarks: HOWO A7		




Air comnditioning system	NO.93
	

KD1681		
	Part No.	AZ1664820002
	CH part name	空调机总成
	EN part name	Auto A/C assy
	RU part name	кондиционер
	Size:mm	
	Weight:kg	10.75
	NO.	NO.93-1
Remarks: HOWO A7		
KD1682		
	Part No.	WG1664820116/1
	CH part name	冷凝器总成
	EN part name	Side condense assy
	RU part name	конденсатором
	Size:mm	
	Weight:kg	3.4

Email: ventas@sdpartsdelivery.com

Email: ventas@sdpartsdelivery.com

Website: <http://www.sdpartsdelivery.com>

						NO.	NO.93-2
			Remarks: HOWO A7				
KD1683			KD1684				
	Part No.	WG1664820104/1		Part No.	WG1664820112/1		
	CH part name	冷凝器-蒸发器软管		CH part name	冷凝器-蒸发器软管冷凝器段		
	EN part name	Pipe/condenser-evaporator		EN part name	Pipe/condenser-evaporator		
	RU part name	Охлаждающий шланг		RU part name	Охлаждающий шланг		
	Size:mm			Size:mm			
	Weight:kg	0.25		Weight:kg			
	NO.	NO.93-3		NO.	NO.93-4		
Remarks: HOWO A7 平地板 Flat to the floor			Remarks: HOWO A7				
KD1685			KD1686				
	Part No.	WG1664820105/1		Part No.	WG1664820117/1		
	CH part name	蒸发器-压缩机软管驾驶室段		CH part name	压缩机-冷凝器软管		
	EN part name	Pipe/condenser-compressor		EN part name	Pipe/compressor-condenser		
	RU part name			RU part name	Шланг давления		
	Size:mm			Size:mm			
	Weight:kg			Weight:kg			
	NO.	NO.93-5		NO.	NO.93-6		
Remarks: HOWO A7 平地板 Flat to the floor			Remarks: HOWO A7 平地板 Flat to the floor 10L 机				

Email: ventas@sdpartsdelivery.com

Email: ventas@sdpartsdelivery.com



Website: <http://www.sdpartsdelivery.com>

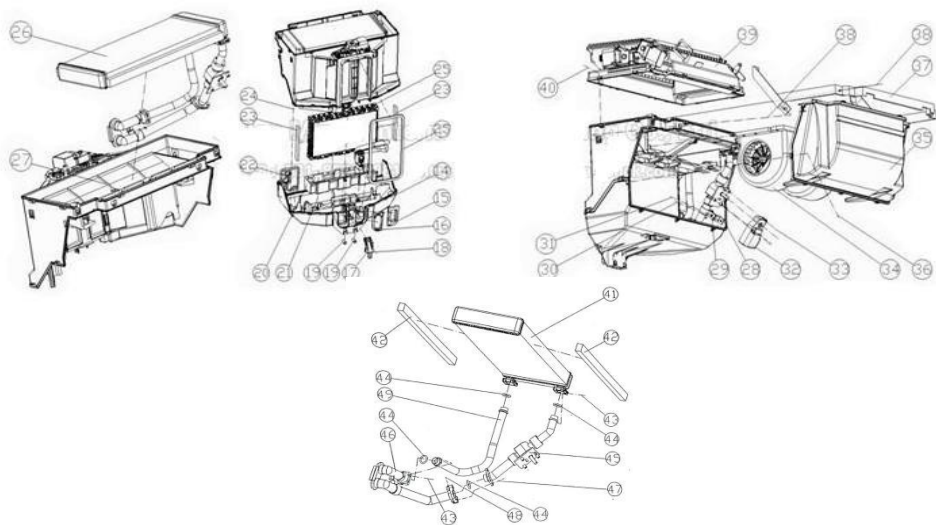


KD1687				KD1688			
	Part No.	WG1664820119/1			Part No.	WG1664820005	
	CH part name	蒸-压软管			CH part name	室外温度传感器	
	EN part name	Pipe/evaporator-compressor			EN part name	Temperature sensor/outdoor	
	RU part name	Шланг испарителя			RU part name	Датчик температуры	
	Size:mm				Size:mm		
	Weight:kg				Weight:kg	0.01	
	NO.	NO.93-7			NO.	NO.93-9	
Remarks: HOWO A7 10L 机				Remarks: HOWO A7			
KD1689				KD1690			
	Part No.	AZ1664820006/2			Part No.	AZ1664820101	
	CH part name	进风口网罩			CH part name	暖风钢管总成	
	EN part name	Filter			EN part name	Water pipe assembly	
	RU part name	Обтекатель воздухозаборника			RU part name	Нагревательная труба	
	Size:mm				Size:mm		
	Weight:kg	0.32			Weight:kg		
	NO.	NO.93-10			NO.	NO.93-13	
Remarks: HOWO A7				Remarks: HOWO A7			
KD1691				KD1692			
	Part No.	WG1630820313			Part No.	WG1664820003/1	
	CH part name	温度传感器			CH part name	空调控制面板	
	EN part name	Temperature sensor/indoor			EN part name	Control panel	
	RU part name	Датчик температуры			RU part name	Панель управления	
	Size:mm				Size:mm		
	Weight:kg	0.034			Weight:kg	0.3	
	NO.	NO.93-88			NO.	NO.93-89	

Email: ventas@sdpartsdelivery.com

Email: ventas@sdpartsdelivery.com

Website: <http://www.sdpartsdelivery.com>





Remarks: HOWO A7			Remarks: HOWO A7		
KD1693			KD1694		
	Part No.	WG1664820014/1		Part No.	AZ1664821015
	CH part name	蒸发器		CH part name	暖风散热器
	EN part name	Evaporator		EN part name	Heater core assembly
	RU part name	испаритель		RU part name	Радиатор отопления
	Size:mm			Size:mm	
	Weight:kg	0.89		Weight:kg	0.3
	NO.	NO.94-25		NO.	NO.94-26
Remarks: HOWO A7			Remarks: HOWO A7		

HVAC/Heater core assembly		NO.94		KD1695		
					Part No.	WG1664820052
					CH part name	水阀控制电机
					EN part name	Driar/water valve control
					RU part name	Управляющая машина
					Size:mm	
					Weight:kg	
					NO.	NO.94-32
Remarks: HOWO A7				KD1696		
					Part No.	WG1664820017
					CH part name	鼓风机
					EN part name	Blower
					RU part name	Воздуходувка, воздуходувка
					Size:mm	

Email: ventas@sdpartsdelivery.com

Email: ventas@sdpartsdelivery.com

Website: <http://www.sdpartsdelivery.com>

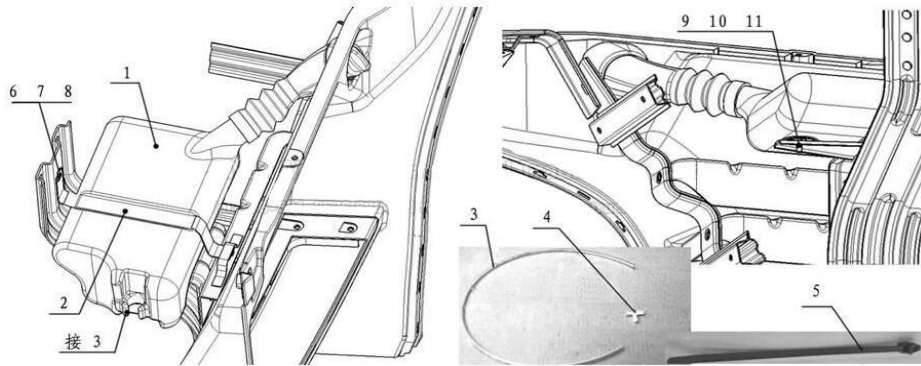
				Weight:kg	
				NO.	NO.94-34
		Remarks: HOWO A7			
KD1697			KD1698		
	Part No.	WG1664820018/1		Part No.	WG1664820019/1
	CH part name	调速模块		CH part name	蒸发器温度传感器
	EN part name	Speed adjuster		EN part name	Howo Parts
	RU part name	Модульный модуль		RU part name	датчик
	Size:mm			Size:mm	
	Weight:kg			Weight:kg	
	NO.	NO.94-34a		NO.	NO.94-34C
Remarks: HOWO A7			Remarks: HOWO A7		
KD1699			KD1700		
	Part No.	AZ1664820054		Part No.	WG1664820053/1
	CH part name	水阀		CH part name	暖风散热器
	EN part name	Water valve		EN part name	Heater core
	RU part name	Вода клапан		RU part name	Радиатор отопления
	Size:mm			Size:mm	
	Weight:kg	0.35		Weight:kg	
	NO.	NO.94-45		NO.	NO.94-41
Remarks: HOWO A7			Remarks: HOWO A7		

HIGHFLOOR CAB WINDSHIELD WASHER	NO.95	KD1701		
			Part No.	WG1664860010
			CH part name	风窗洗条器

Email: ventas@sdpartsdelivery.com

Email: ventas@sdpartsdelivery.com

Website: <http://www.sdpartsdelivery.com>



EN part name	Highfloor cab windshicld washer
RU part name	Ветровое окно
Size:mm	
Weight:kg	
NO.	NO.95-1

Remarks: HOWO A7

KD1702



Part No.	WG1664860011
CH part name	风窗洗条器支架
EN part name	Windshield washer bracket
RU part name	Стенд для мытья окон
Size:mm	
Weight:kg	
NO.	NO.95-2

Remarks: HOWO A7

sun visor outside

NO.96

KD1703



Part No.	WG1664870002
CH part name	遮阳罩
EN part name	sun visor outside
RU part name	Экранирующий колпак
Size:mm	
Weight:kg	
NO.	NO.96-1

Remarks: HOWO A7

KD1704

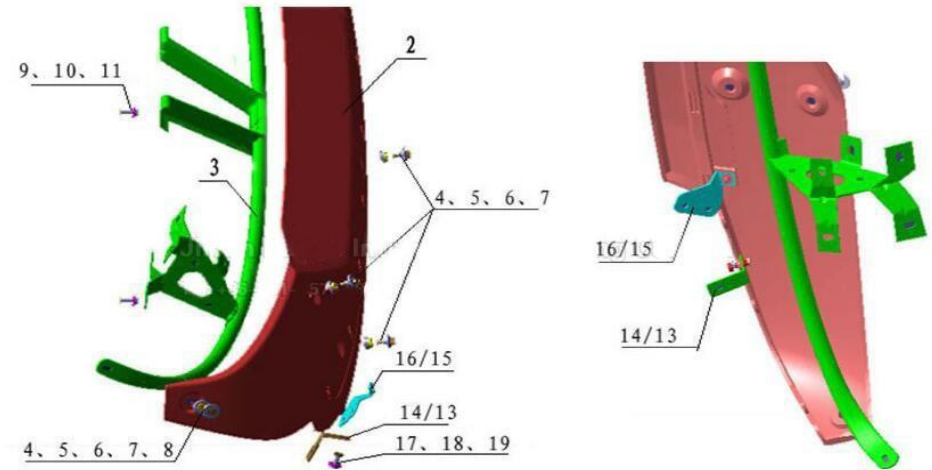
Part No.	WG1664870003
----------	--------------


Email: ventas@sdpartsdelivery.com


Email: ventas@sdpartsdelivery.com

Website: <http://www.sdpartsdelivery.com>

	CH part name	遮阳罩支架
	EN part name	holder for sun visor
	RU part name	Кронштейн козырька
	Size:mm	
	Weight:kg	
	NO.	NO.96-2
Remarks: HOWO A7		



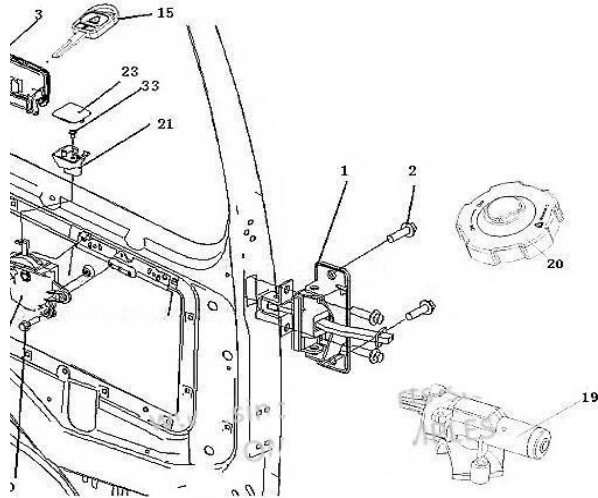
KD1705		
	Part No.	AZ1630210001
	CH part name	车门总成
	EN part name	door assembly
	RU part name	двери
	Size:mm	
	Weight:kg	
	NO.	NO.97
Remarks: HOWO A7		
DOOR,DOOR LOCK	NO.97	

KD1706		
	Part No.	WG1664340001
	CH part name	限位器
	EN part name	truck door strap
	RU part name	ограничитель
	Size:mm	
	Weight:kg	0.21
	NO.	NO.97-1
Remarks: HOWO A7		
KD1707		
	Part No.	WG1664340004
	CH part name	左车门外手柄
	EN part name	door handle left

Email: ventas@sdpartsdelivery.com

Email: ventas@sdpartsdelivery.com

Website: <http://www.sdpartsdelivery.com>



RU part name	Рукоятка слева от двери
Size:mm	
Weight:kg	0.2
NO.	NO.97-3

Remarks: HOWO A7

KD1708



Part No.	WG1664340005
CH part name	右车门外手柄
EN part name	door handle right
RU part name	Рукоятка справа от ворот
Size:mm	
Weight:kg	0.2
NO.	NO.97-4

Remarks: HOWO A7

KD1709



Part No.	WG1664340408
CH part name	左闭锁器
EN part name	Left gate
RU part name	Левый блокиратор
Size:mm	
Weight:kg	0.1
NO.	NO.97-7

Remarks: HOWO A7

KD1710



Part No.	WG1664340409
CH part name	右闭锁器
EN part name	right gate
RU part name	Правый блокиратор
Size:mm	
Weight:kg	0.1
NO.	NO.97-10

Remarks: HOWO A7

KD1711

Part No.	WG1664340008
----------	--------------







KD1712

Part No.	WG1664340009
----------	--------------

Email: ventas@sdpartsdelivery.com

Email: ventas@sdpartsdelivery.com



Website: <http://www.sdpartsdelivery.com>

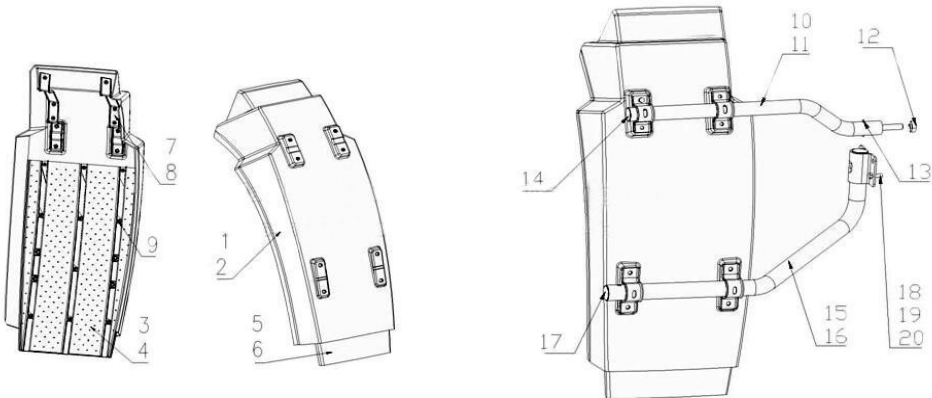


	CH part name EN part name RU part name Size:mm Weight:kg NO.	左车门锁体 Latch left Замок левого вагона 0.8 NO.97-8		CH part name EN part name RU part name Size:mm Weight:kg NO.	右车门锁体 Latch right Корпус правой машины 0.8 NO.97-9
Remarks: HOWO A7		Remarks: HOWO A7			
KD1713			KD1714		
	Part No. CH part name EN part name RU part name Size:mm Weight:kg NO.	WG1664340010 车门外开拉索 Outside cable Наружный рассол 0.02 NO.97-11		Part No. CH part name EN part name RU part name Size:mm Weight:kg NO.	WG1664340011 左门锁控制拉杆 II Rod II left Левая дверь захлопнулась 0.065 NO.97-12
Remarks: HOWO A7		Remarks: HOWO A7			
KD1715			KD1716		
	Part No. CH part name EN part name RU part name Size:mm Weight:kg NO.	WG1664340018 锁销支架 lock pin Кронштейн запиранья 0.5 NO.97-14		Part No. CH part name EN part name RU part name Size:mm Weight:kg NO.	WG1664340013 右门锁控制拉杆 II Rod II right Правая дверь закрыта 0.065 NO.97-13
Remarks: HOWO A7		Remarks: HOWO A7			
KD1717			KD1718		

Email: ventas@sdpartsdelivery.com

Email: ventas@sdpartsdelivery.com

Website: <http://www.sdpartsdelivery.com>




	Part No.	WG9925580103		Part No.	AZ1664230085
	CH part name	点火锁开关		CH part name	左后翼子板
	EN part name	ignition switch		EN part name	rear wing left
	RU part name	Замок зажигания		RU part name	Подставка левого крыла
	Size:mm			Size:mm	
	Weight:kg	0.98		Weight:kg	
	NO.	NO.97-19		NO.	NO.98-1
Remarks: HOWO A7			Remarks: HOWO A7		

REAR WING FOR LONG CAB		NO.98		KD1719			
						Part No.	AZ1664230086
						CH part name	右后翼子板
						EN part name	rear wing right
						RU part name	Правый задняя доска
						Size:mm	
						Weight:kg	
						NO.	NO.98-2
Remarks: HOWO A7				KD1720			
						Part No.	AZ1664230189
						CH part name	左后翼子板撑架
						EN part name	rear wing left breakct
						RU part name	Подпорки на крыльях
						Size:mm	
						Weight:kg	

Email: ventas@sdpartsdelivery.com

Email: ventas@sdpartsdelivery.com

Website: <http://www.sdpartsdelivery.com>

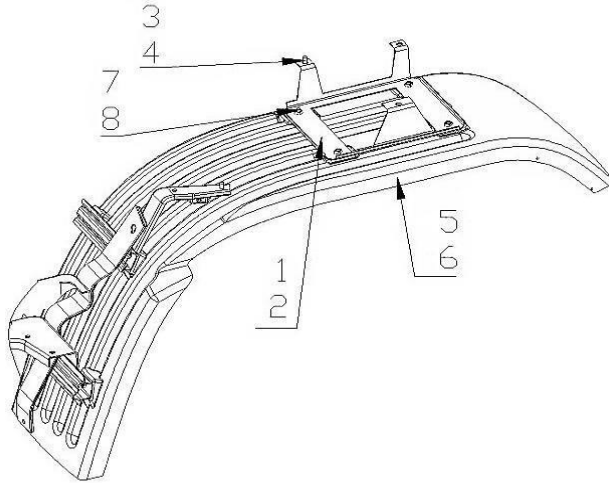
				NO.	NO.98-7
		Remarks: HOWO A7			
KD1721			KD1722		
	Part No.	AZ1664230180		Part No.	AZ1664230290
	CH part name	后翼子板左上支架		CH part name	右后翼子板撑架
	EN part name	up-breaket left		EN part name	rear wing right breakct
	RU part name	Верхняя стойка		RU part name	Подпорки на крыльях
	Size:mm			Size:mm	
	Weight:kg			Weight:kg	
	NO.	NO.98-10		NO.	NO.98-8
Remarks: HOWO A7			Remarks: HOWO A7		
KD1723			KD1724		
	Part No.	AZ1664230190		Part No.	AZ1664230185
	CH part name	后翼子板右上支架		CH part name	后翼子板左下支架
	EN part name	up-breaket right		EN part name	Lower left bracket
	RU part name	Правая стойка		RU part name	Нижняя подставка
	Size:mm			Size:mm	
	Weight:kg			Weight:kg	
	NO.	NO.98-11		NO.	NO.98-15
Remarks: HOWO A7			Remarks: HOWO A7		

MUDGUARD	NO.99	KD1725		
			Part No.	AZ1664230200
			CH part name	后翼子板右下支架
			EN part name	Lower bracket

Email: ventas@sdpartsdelivery.com

Email: ventas@sdpartsdelivery.com

Website: <http://www.sdpartsdelivery.com>



RU part name	Правая нижняя стойка
Size:mm	
Weight:kg	
NO.	NO.98-16

Remarks: HOWO A7

KD1726



Part No.	WG1664230049
CH part name	左挡泥板
EN part name	mudguard left
RU part name	Левый крыло
Size:mm	
Weight:kg	
NO.	NO.99-5

Remarks: HOWO A7

KD1727



Part No.	WG1664230050
CH part name	右挡泥板
EN part name	mudguard right
RU part name	Правый крыло
Size:mm	
Weight:kg	
NO.	NO.99-6

Remarks: HOWO A7

KD1728



Part No.	AZ1664230059
CH part name	左挡泥板主支架
EN part name	mudguard-braelet left
RU part name	Главный стойка
Size:mm	
Weight:kg	
NO.	NO.99-1

Remarks: HOWO A7

KD1729

Part No.	AZ1664230058
----------	--------------


KD1730

Part No.	AZ1664230007
----------	--------------


Email: ventas@sdpartsdelivery.com

Email: ventas@sdpartsdelivery.com

Website: <http://www.sdpartsdelivery.com>

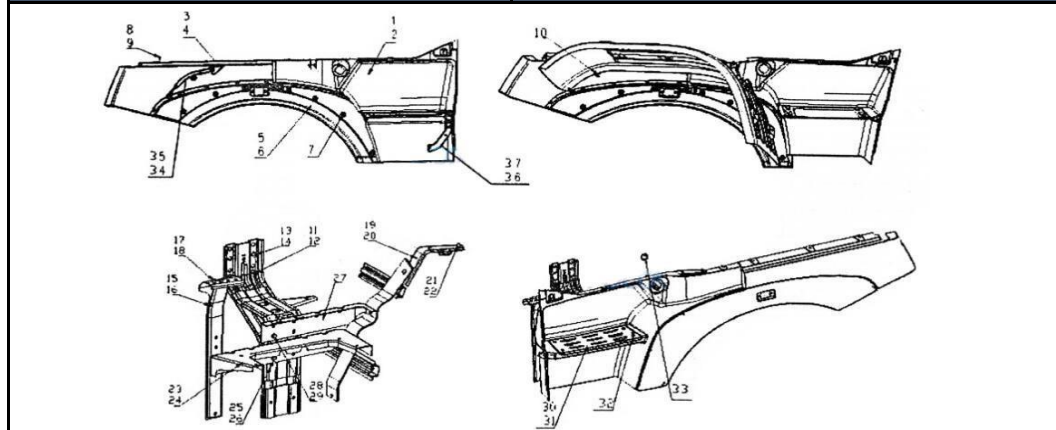
	CH part name	右挡泥板主支架
	EN part name	mudguard-brealet right
	RU part name	Главный стойка
	Size:mm	
	Weight:kg	
	NO.	NO.99-2


Remarks: HOWO A7

	CH part name	高低板低位左前翼子板
	EN part name	lower,front-cover left for high floor
	RU part name	Левое переднее крыло
	Size:mm	
	Weight:kg	
	NO.	NO.100-1


Remarks: HOWO A7

LOWER COVER FOR LONG,HIGH-FLOOR CAB **NO.100**



	Part No.	AZ1664230006
	CH part name	高低板低位右前翼子板
	EN part name	lower,front-cover right for high floor
	RU part name	Правый передняя плита
	Size:mm	
	Weight:kg	
NO.	NO.100-2	





Remarks: HOWO A7

	Part No.	AZ1664230009
	CH part name	高地板左翼子板后段
	EN part name	long,rear-cover left for high floor
	RU part name	Задняя часть крыла
	Size:mm	
	Weight:kg	
NO.	NO.100-3	

Email: ventas@sdpartsdelivery.com

Email: ventas@sdpartsdelivery.com


















Website: <http://www.sdpartsdelivery.com>

			Remarks: HOWO A7		
KD1733			KD1734		
	Part No.	AZ1664230008		Part No.	AZ1664230011
	CH part name	高地板右翼子板后段		CH part name	左翼子板装饰板
	EN part name	long,rear-cover right for high floor		EN part name	left-cover panel
	RU part name	Задняя часть крыла		RU part name	
	Size:mm			Size:mm	
	Weight:kg			Weight:kg	
	NO.	NO.100-4		NO.	NO.100-5
Remarks: HOWO A7			Remarks: HOWO A7		
KD1735			KD1736		
	Part No.	AZ1664230012		Part No.	AZ1664233025
	CH part name	右翼子板装饰板		CH part name	高地板左翼子板左中支架
	EN part name	right-cover panel		EN part name	middle-breaket left for high-floor
	RU part name			RU part name	Промежуточная крепь
	Size:mm			Size:mm	
	Weight:kg			Weight:kg	
	NO.	NO.100-6		NO.	NO.100-11
Remarks: HOWO A7			Remarks: HOWO A7		
KD1737			KD1738		
	Part No.	AZ1664233030		Part No.	AZ1664233155
	CH part name	高地板翼子板左前支架		CH part name	高地板左翼子板右中支架
	EN part name	front-breaket left for high-floor		EN part name	middle-breaket right for high-floor

Email: ventas@sdpartsdelivery.com

Email: ventas@sdpartsdelivery.com



Website: <http://www.sdpartsdelivery.com>

	RU part name			Size:mm			Weight:kg			NO.	NO.100-15	Remarks: HOWO A7		RU part name	Промежуточная крепь	Size:mm		Weight:kg		NO.	NO.100-12	Remarks: HOWO A7																				
KD1739			KD1740				Part No.	AZ1664233032		CH part name	高地板翼子板左前支架	EN part name	front-breaket right for high-floor		RU part name			Size:mm			Weight:kg		NO.	NO.100-16	Remarks: HOWO A7		Part No.	AZ1664233035	CH part name	高地板翼子板左后支架	EN part name	After the stent	RU part name	Задняя стойка	Size:mm		Weight:kg		NO.	NO.100-19	Remarks: HOWO A7	
KD1741			KD1742				Part No.	AZ1664230061		CH part name	高地板低位踏板左托架		EN part name	left bracket		RU part name	кронштейн		Size:mm			Weight:kg		NO.	NO.100-23	Remarks: HOWO A7		Part No.	AZ1664233036	CH part name	高地板翼子板右后支架	EN part name	After the stent	RU part name	Задняя стойка	Size:mm		Weight:kg		NO.	NO.100-20	Remarks: HOWO A7

Email: ventas@sdpartsdelivery.com



Email: ventas@sdpartsdelivery.com

Website: <http://www.sdpartsdelivery.com>

KD1743				KD1744			
	Part No.	AZ1664230062			Part No.	WG1664230081	
	CH part name	高地板低位踏板右托架			CH part name	高地板低位左防滑板	
	EN part name	right bracket			EN part name	Lower plate left for high-floor	
	RU part name	кронштейн			RU part name	скейтборд	
	Size:mm				Size:mm		
	Weight:kg				Weight:kg	0.8	
	NO.	NO.100-24			NO.	NO.100-30	
Remarks: HOWO A7				Remarks: HOWO A7			

KD1745				KD1746			
	Part No.	AZ1664230133			Part No.	WG1664230082	
	CH part name	翼子板后段左支架			CH part name	高地板低位右防滑板	
	EN part name	left bracket			EN part name	Lower plate right for high-floor	
	RU part name	Левая стойка			RU part name	скейтборд	
	Size:mm				Size:mm		
	Weight:kg				Weight:kg	0.8	
	NO.	NO.100-34			NO.	NO.100-31	

Remarks: HOWO A7

KD1747				KD1748			
	Part No.	AZ1664230134			Part No.	AZ1664233225	
	CH part name	翼子板后段右支架			CH part name	左固定支架	
	EN part name	right holder			EN part name	left breaket	
	RU part name	Правая стойка			RU part name	Неподвижная крепь	
	Size:mm				Size:mm		

Email: ventas@sdpartsdelivery.com

Email: ventas@sdpartsdelivery.com

Website: <http://www.sdpartsdelivery.com>

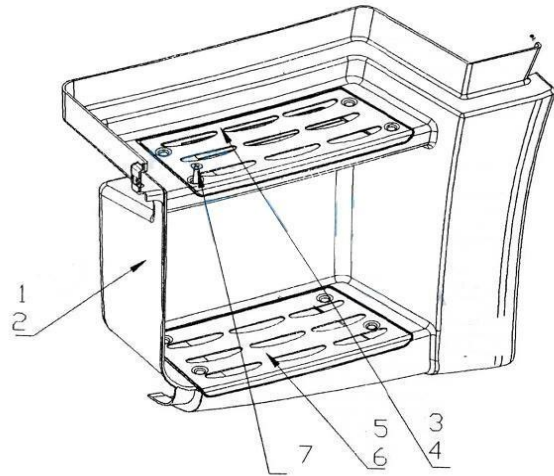
	Weight:kg			Weight:kg	
	NO.	NO.100-35		NO.	NO.100-36
Remarks: HOWO A7			Remarks: HOWO A7		
KD1749			KD1750		
	Part No.	AZ1664233226		Part No.	WG1664230043
	CH part name	右固定支架		CH part name	低位左下踏板
	EN part name	right breaket		EN part name	Lower foot step left
	RU part name	Неподвижная крепь		RU part name	Нижняя педаль
	Size:mm			Size:mm	660*250*440
	Weight:kg			Weight:kg	1.66
	NO.	NO.100-37		NO.	NO.101-1
Remarks: HOWO A7			Remarks: HOWO A7		
KD1751			KD1752		
	Part No.	WG1664230044		Part No.	WG1664230093
	CH part name	低位右下踏板		CH part name	低位踏板左防滑板 I
	EN part name	Lower foot step right		EN part name	Lower plate I left
	RU part name	Нижняя педаль		RU part name	скейтборд
	Size:mm	660*250*440		Size:mm	
	Weight:kg	1.66		Weight:kg	0.82
	NO.	NO.101-2		NO.	NO.101-3
Remarks: HOWO A7			Remarks: HOWO A7		

LOWER FOOT STEP	NO.101	KD1753	
		Part No.	WG1664230094
		CH part name	低位踏板右防滑板 I

Email: ventas@sdpartsdelivery.com

Email: ventas@sdpartsdelivery.com

Website: <http://www.sdpartsdelivery.com>



EN part name	Lower plate I right
RU part name	скейтборд
Size:mm	
Weight:kg	0.82
NO.	NO.101-4

Remarks: HOWO A7

KD1754



Part No.	WG1664230095
CH part name	低位踏板左防滑板 II
EN part name	Lower plate II left
RU part name	скейтборд
Size:mm	
Weight:kg	0.9
NO.	NO.101-5

Remarks: HOWO A7

KD1755



Part No.	WG1664230096
CH part name	低位踏板右防滑板 II
EN part name	Lower plate II right
RU part name	скейтборд
Size:mm	
Weight:kg	0.9
NO.	NO.101-6

Remarks: HOWO A7

KD1756



Part No.	WG9925720001
CH part name	左前照灯总成
EN part name	Model left head lamp assy.
RU part name	Левый передняя лампа
Size:mm	
Weight:kg	3.5
NO.	

Remarks: HOWO A7

KD1757

Part No.	WG1664240005
----------	--------------


KD1758


Part No.	WG9925720002
----------	--------------


Email: ventas@sdpartsdelivery.com


Email: ventas@sdpartsdelivery.com


Website: <http://www.sdpartsdelivery.com>


	CH part name	保险杠中段
	EN part name	middle of the bumper
	RU part name	Средний участок бампера
	Size:mm	
	Weight:kg	
	NO.	
Remarks: HOWO A7		

	CH part name	右前照灯总成
	EN part name	Model right head lamp assy.
	RU part name	Левый передняя лампа
	Size:mm	
	Weight:kg	3.5
	NO.	
Remarks: HOWO A7		

KD1693		
	Part No.	WG1664240006
	CH part name	低位保险杠
	EN part name	Low position bumper
	RU part name	Низкий бампер
	Size:mm	
	Weight:kg	
	NO.	
Remarks: HOWO A7		

KD1694		
	Part No.	WG9925810001
	CH part name	后尾灯(左)
	EN part name	rear position lamp
	RU part name	
	Size:mm	
	Weight:kg	0.97
	NO.	
Remarks: HOWO A7		




KD1693		
	Part No.	WG1664240007
	CH part name	大灯框 (L)
	EN part name	Headlight frame (L)
	RU part name	шпангоут
	Size:mm	
	Weight:kg	0.7

KD1694		
	Part No.	WG9925810002
	CH part name	后尾灯(右)
	EN part name	rear position lamp
	RU part name	
	Size:mm	
	Weight:kg	0.97
	NO.	

Email: ventas@sdpartsdelivery.com

Email: ventas@sdpartsdelivery.com

Website: <http://www.sdpartsdelivery.com>

	NO.			NO.	
Remarks: HOWO A7			Remarks: HOWO A7		
KD1693			KD1694		
	Part No.	WG1664240008		Part No.	WG9925720012
	CH part name	大灯框 (R)		CH part name	左翼子板灯
	EN part name	Headlight frame (R)		EN part name	Left side light
	RU part name	шпангоут		RU part name	Левоцентрированная лампа
	Size:mm			Size:mm	
	Weight:kg	0.7		Weight:kg	0.15
	NO.			NO.	
Remarks: HOWO A7			Remarks: HOWO A7		
KD1693			KD1694		
	Part No.	WG9925720013		Part No.	
	CH part name	右翼子板灯		CH part name	
	EN part name	Right sidelight		EN part name	
	RU part name	Фланцевая фара		RU part name	
	Size:mm			Size:mm	
	Weight:kg	0.15		Weight:kg	
	NO.			NO.	
Remarks: HOWO A7			Remarks:		

Email: ventas@sdpartsdelivery.com